

Fittings



A=20



B=20



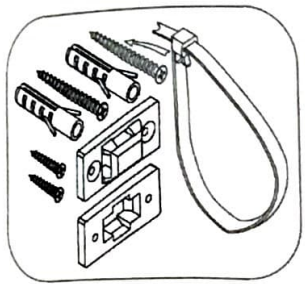
C=20



D=36



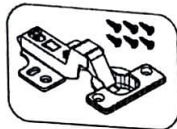
E=12



F=1



G1=18



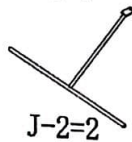
I3=4



J-1=4



H=1



J-2=2



L=8



O=16



P=16



N=2



U=4



V1=16

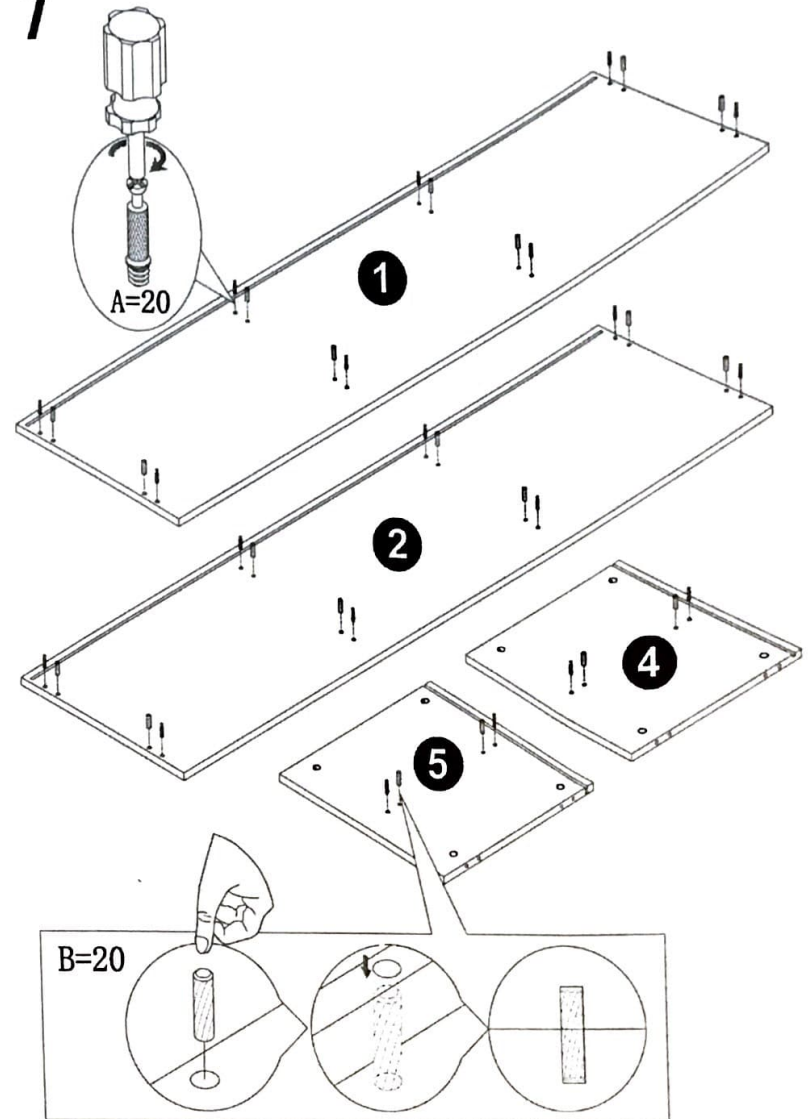


Z1=18

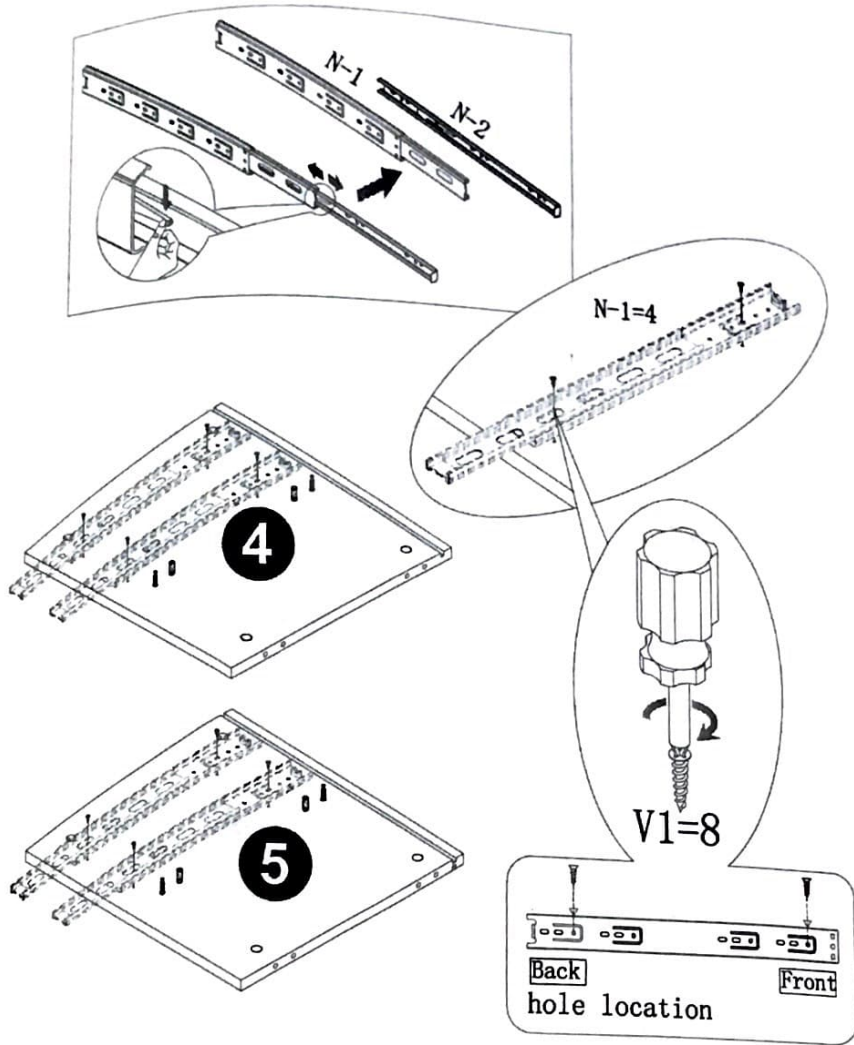


Z2=18

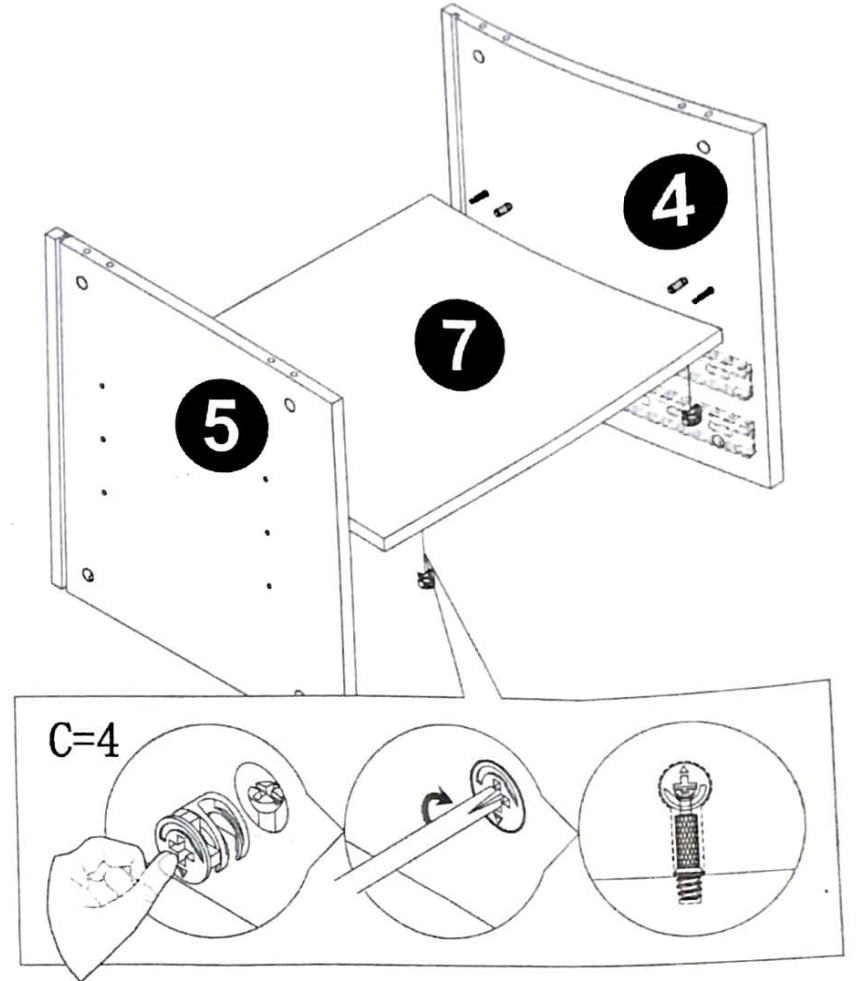
1

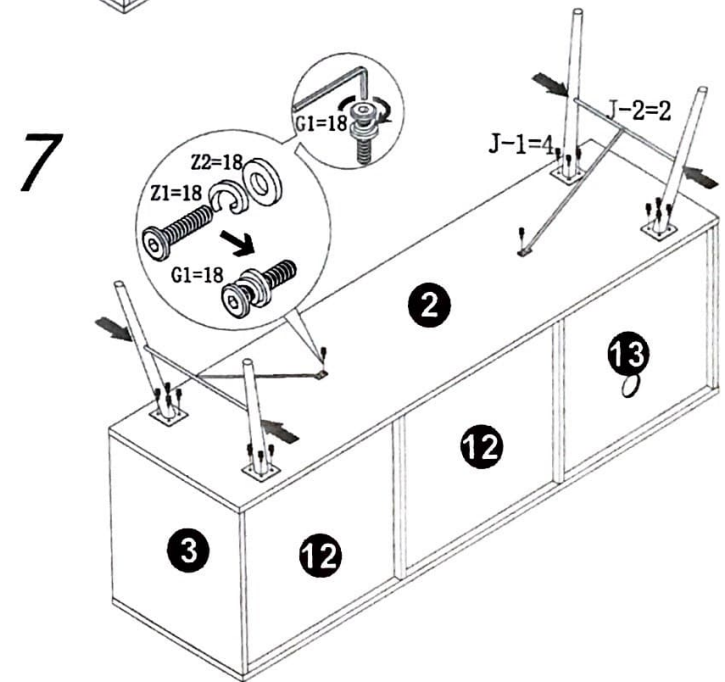
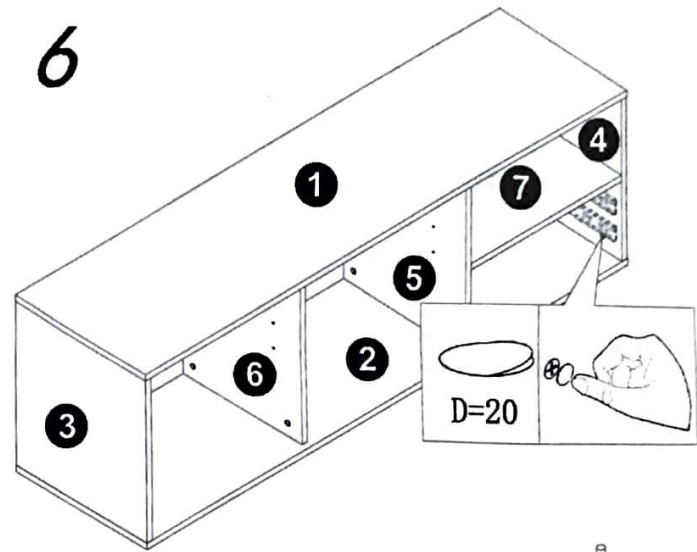
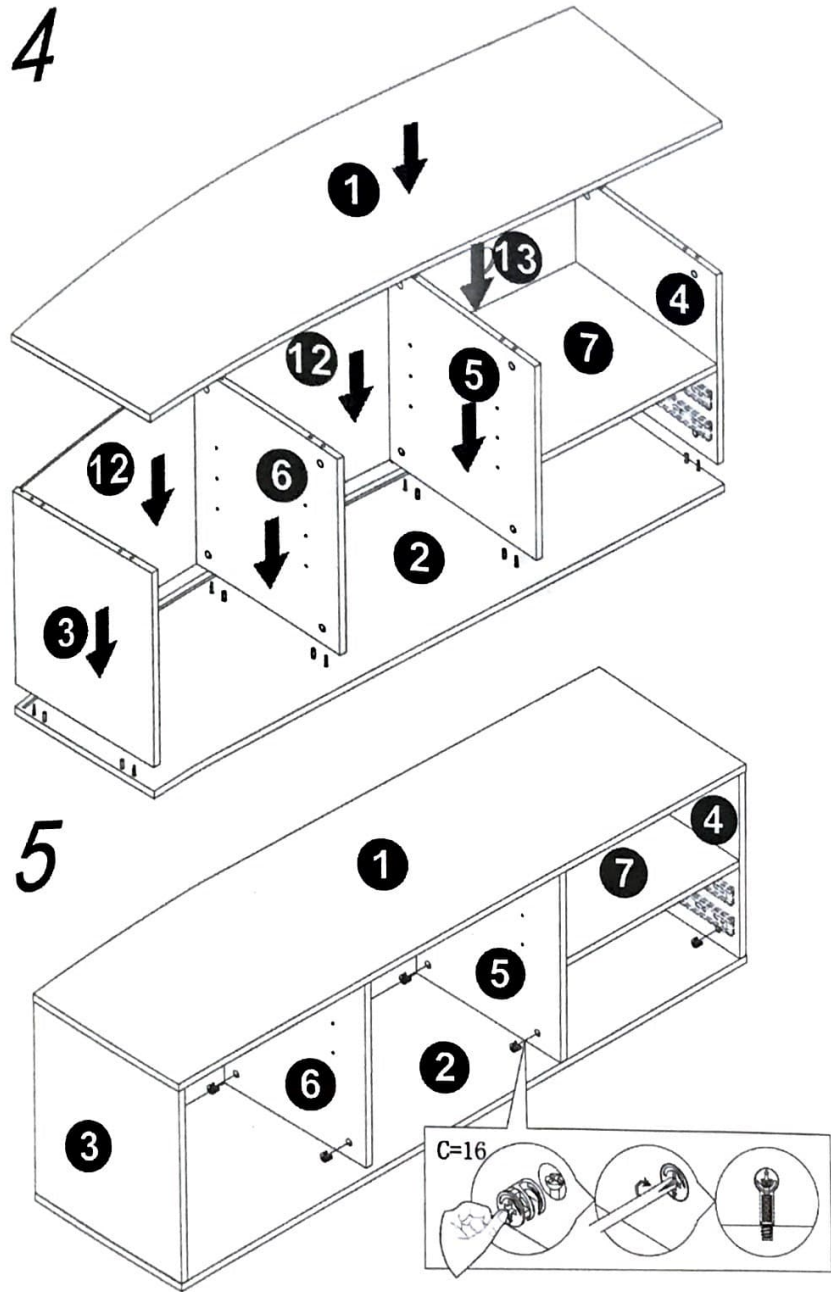


2

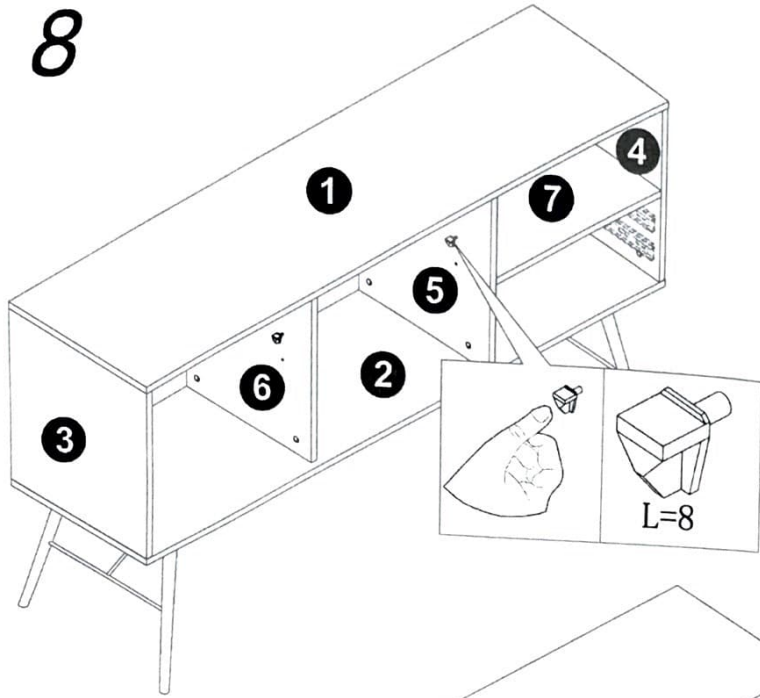


3

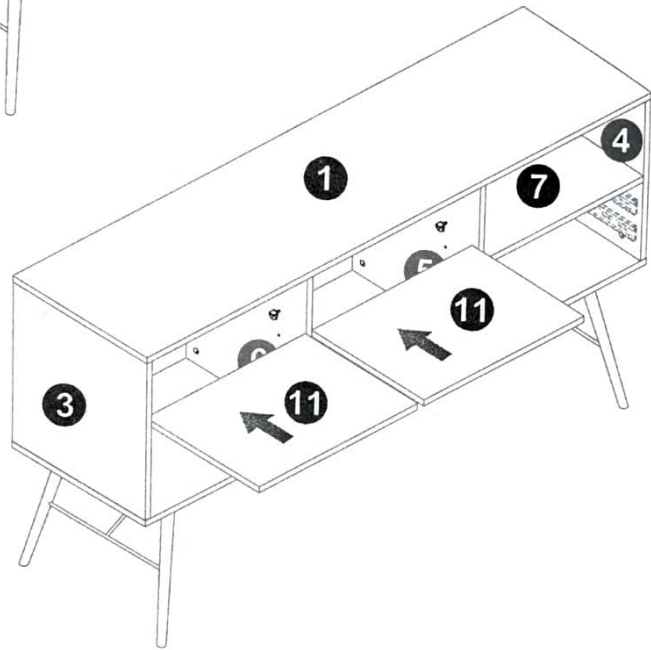




8

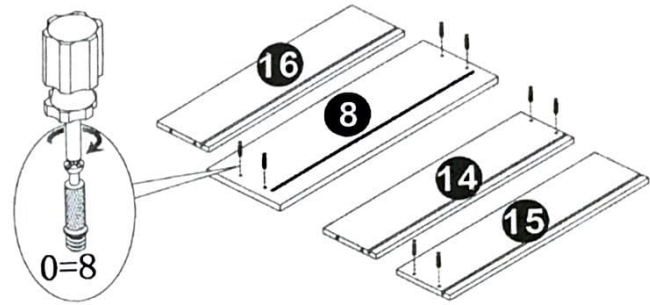


9

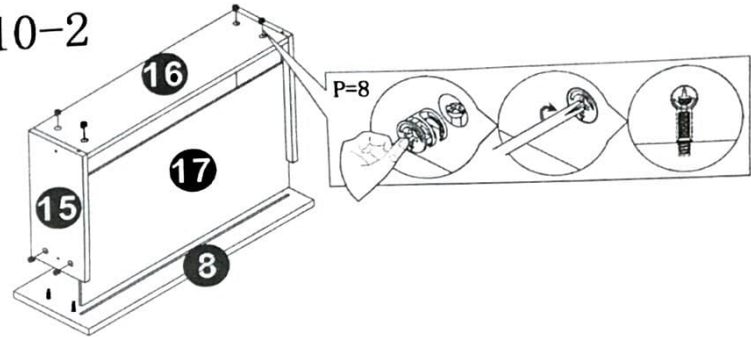


10

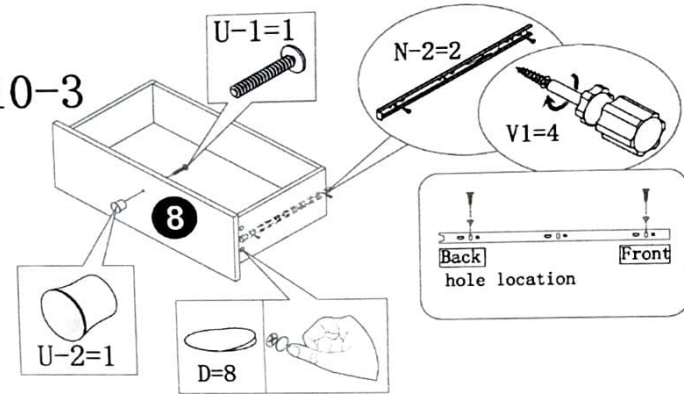
10-1



10-2

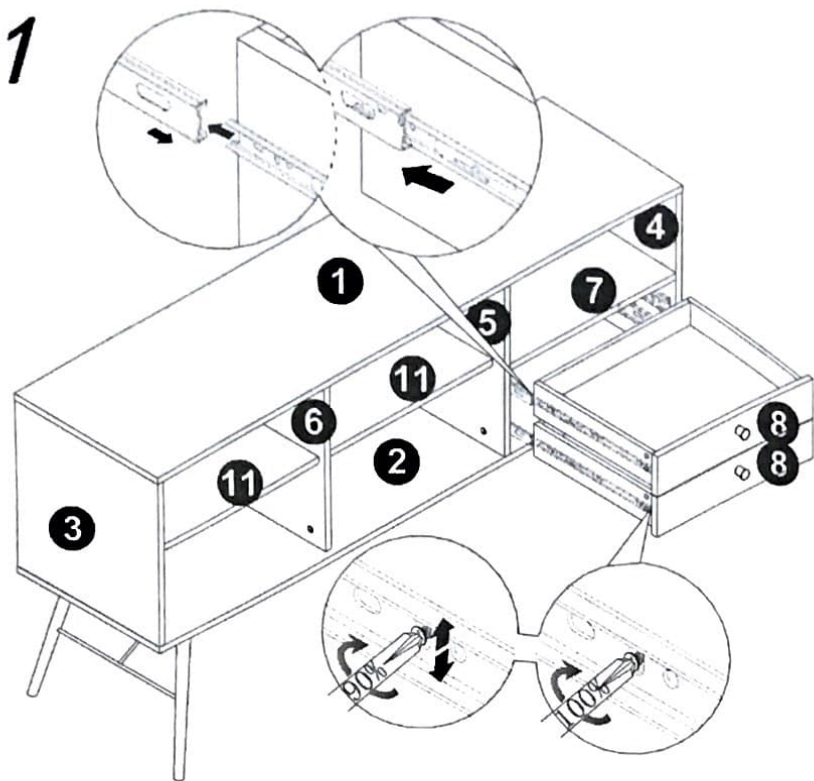


10-3

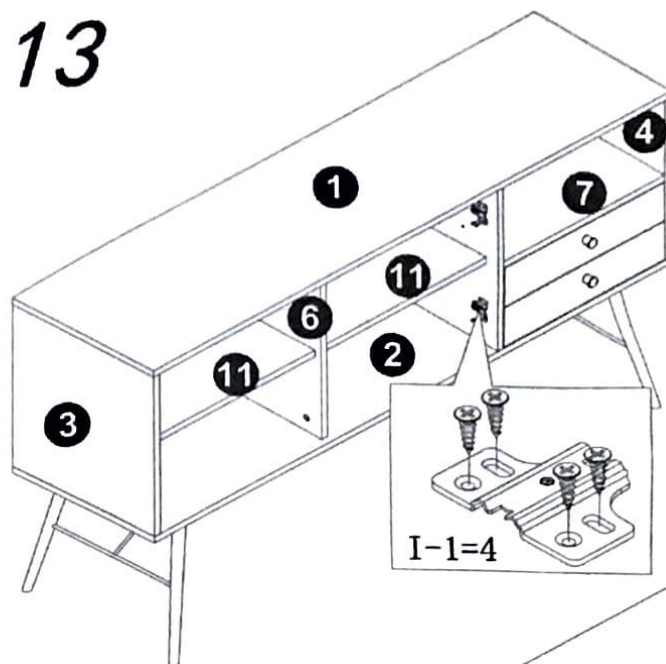


X2

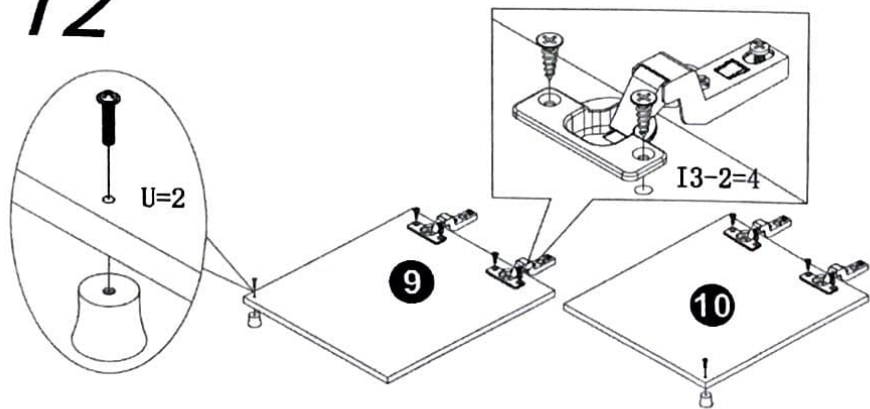
11



13



12



14

