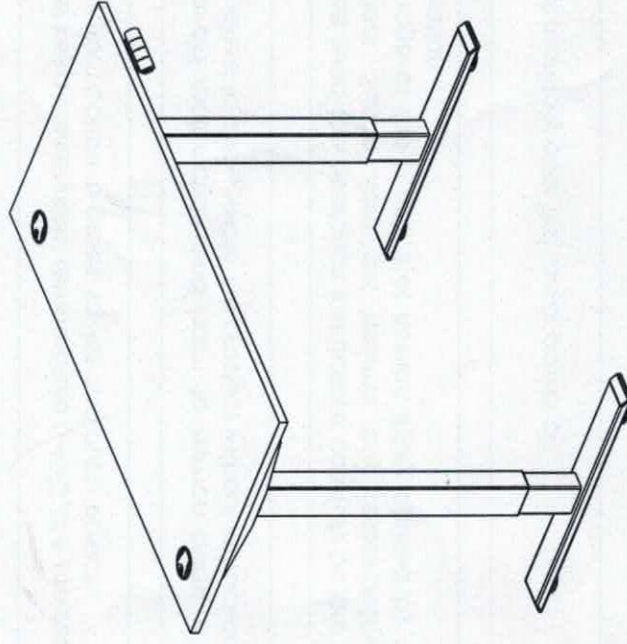


Sunön


Assembly Manual


Electric Height Adjustable Desk





Please read this manual carefully before any operation and keep it properly for future use.


Warnings


 Keep children, pets, etc. away from the product during table lifting operation. Unplug the product in lightning weather and when it will be unused for a long time.


 Keep proper distance between the table and the wall.

 Keep obstacles away in the running process of the table, and there should be no obstacles higher than 500mm under the table.

 Better keep environment temperature 0-40°C, the product is far away from corrosive gases, liquids and dusty objects.

 To avoid malfunction and harm to human body, it is strictly prohibited to disassemble the product without instruction.

 Please read the operation instructions carefully before using the product. Sunon does not assume any responsibility for the damage of the product or human injury caused by abnormal operation.

 Reset manually after first use or power off.

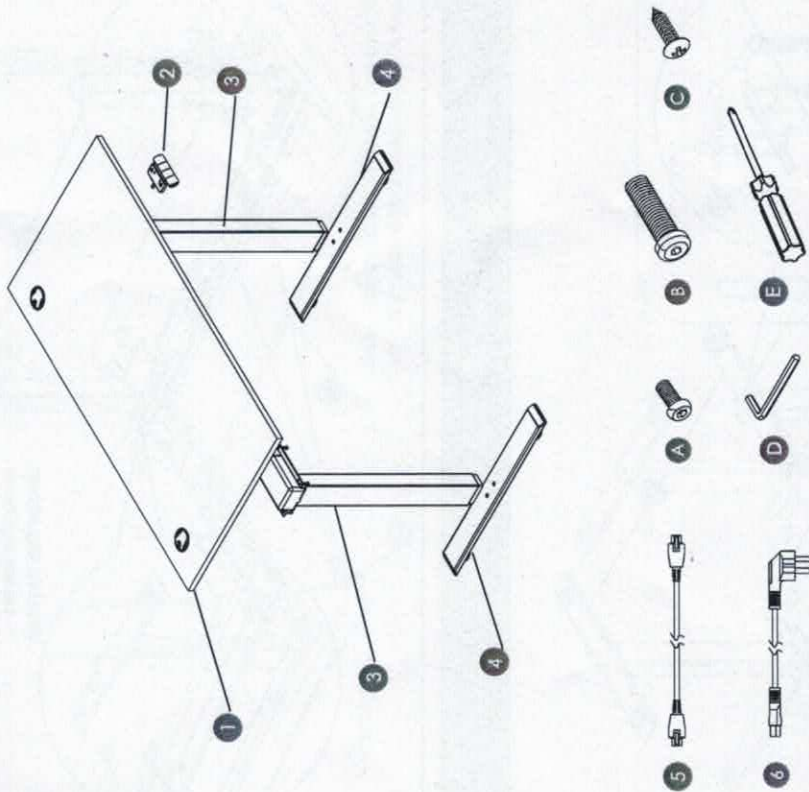
Components list

8 min

Assemble Time



Two People



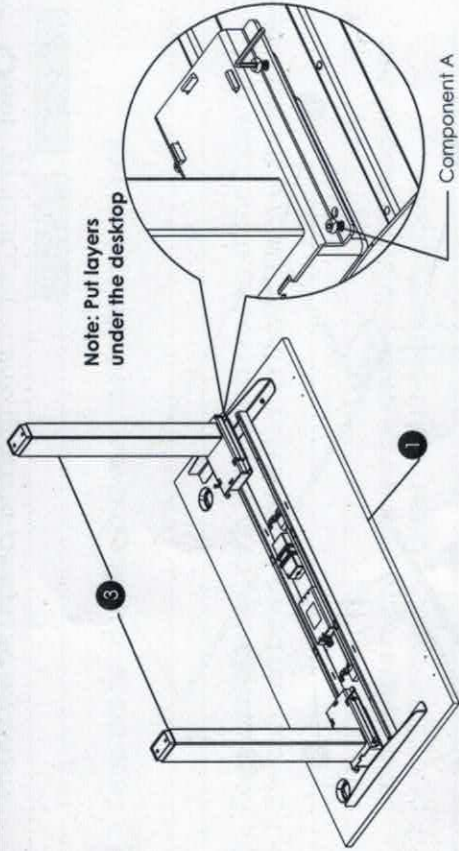
No.	Component	PCS
1	Desktop panel	1
2	Manual controller	1
3	Lift feet	2
4	Ground feet	2
5	Patch cord	1
6	Power cord	1

No.	Component	PCS
A	Cap screw (M6*14)	8+1
B	Cap screw (M10*35)	4+1
C	Screw (ST4.2*16)	2+1
D	Allen key	1
E	Cross screw driver	1

Assembly Instruction

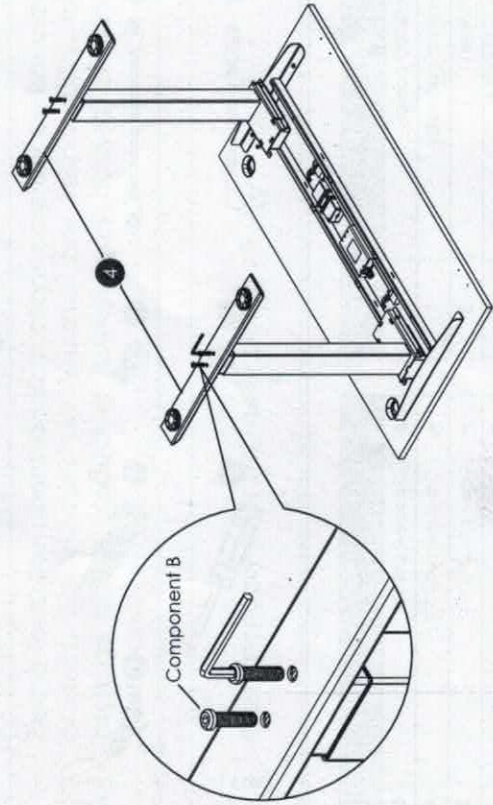
STEP 1

Upside down with proper protection layer and locate the lift feet by using the bottom box and screws.
Fasten each lift feet to the frame by using 4 component A. (8 in total).



STEP 2

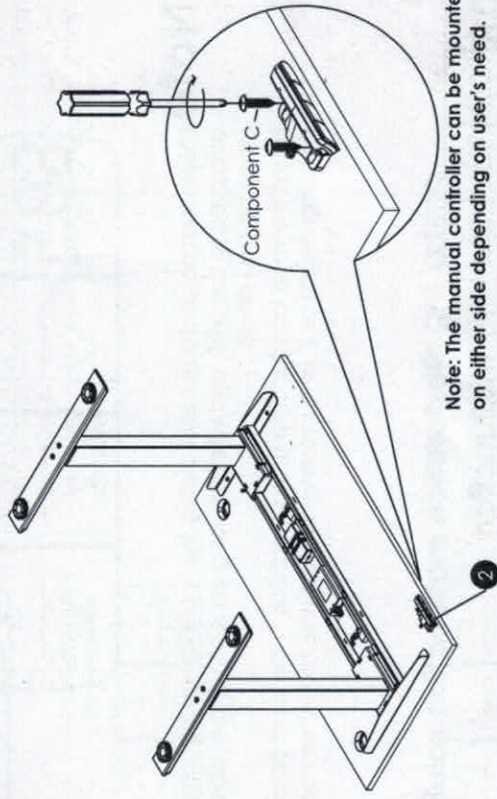
Fasten the ground feet to the lift feet by using component B (4 in total).



Assembly Instruction

STEP 3

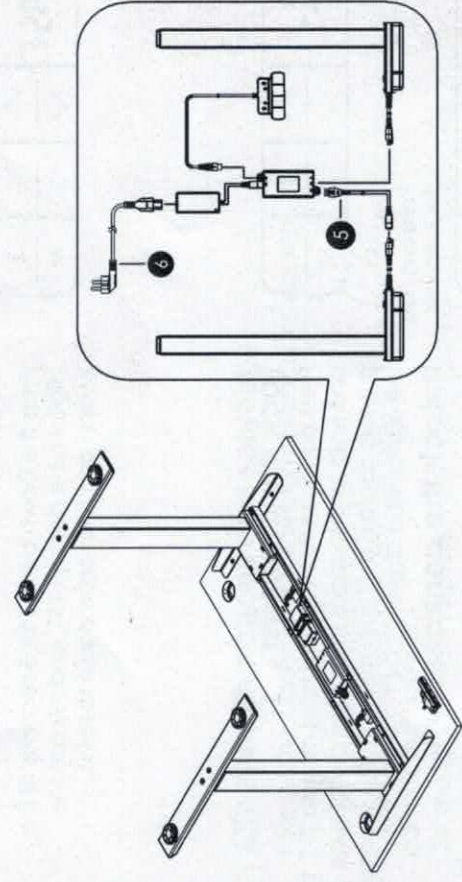
Fasten the manual controller to the edge of the desktop by using component C (2 in total).

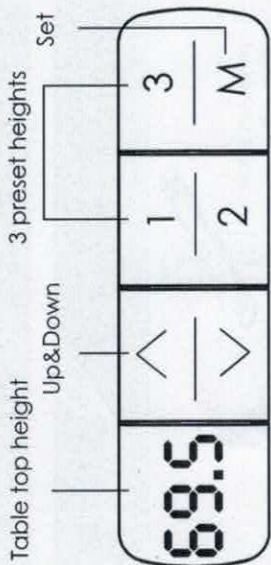


Note: The manual controller can be mounted on either side depending on user's need.

STEP 4

Connect components as shown in the picture.
Sort the cords.

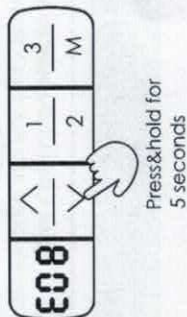




Note

Ensure that no obstacles exist during the table lifting, the table is not attached to the wall, and wires are long enough for the table to move up and down.

Preset the most comfortable sitting height as 1, the most comfortable standing height as 2, and preserve the last one for further needs.



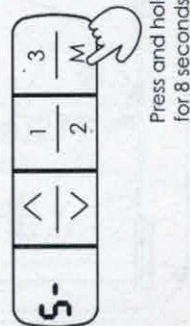
Restoration malfunction solution

Malfunction

The digital tube displays E07-E09 after the controller reports an error, and no button reacts to error even after powering off and then on.

Solution

Press the Down button for 5 seconds till the digital tube displays RST, and release the button and then press again to reset.

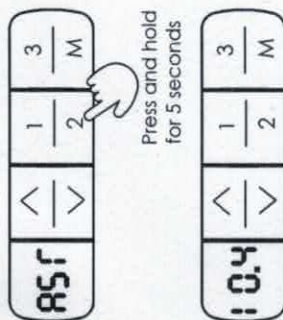


Lock the controller

Press button M till the digital tube displays "S-"; press M and hold for 5 seconds to turn the digital tube into number display, and hold for another 3 seconds till the digital tube displays "LOC".

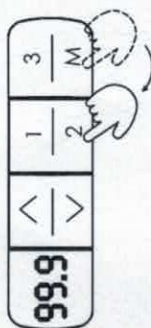
Unlock the controller

Press button M and hold for 8 seconds in the "LOC" state, and the digital tube display numbers to unlock the controller.



cm/inch switch

In the reset state in which the digital tube displays "RST", press the button "2" and hold for 5 seconds to switch between inch ("10.4" is displayed) and cm ("10.3" is displayed).



Memory height setting

Adjust the table to an expected height; Press M till the digital tube displays "S-" and press one button among 1, 2, and 3 to memorize the height.

Other malfunctions and solutions

1. Reset the controller if following malfunctions appear.
 - Abnormal operation;
 - The controller displays RES (Reset);
 - The controller displays "E07" or "E08", but the motor drive cable is connected normally;
2. If the digital tube displays "HOT" ("hot"), power off and cool for 20 minutes.

