

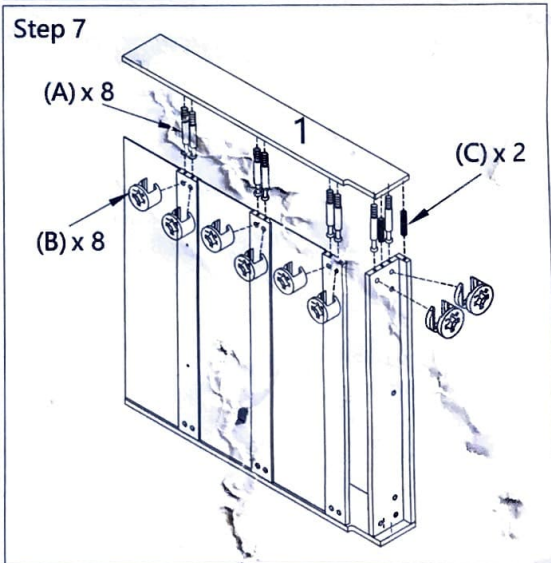
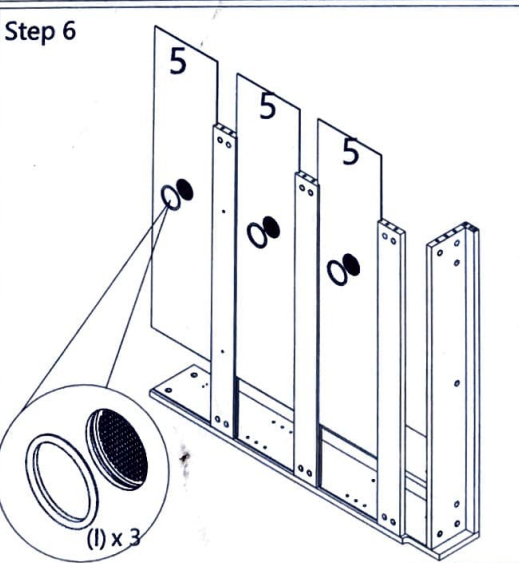
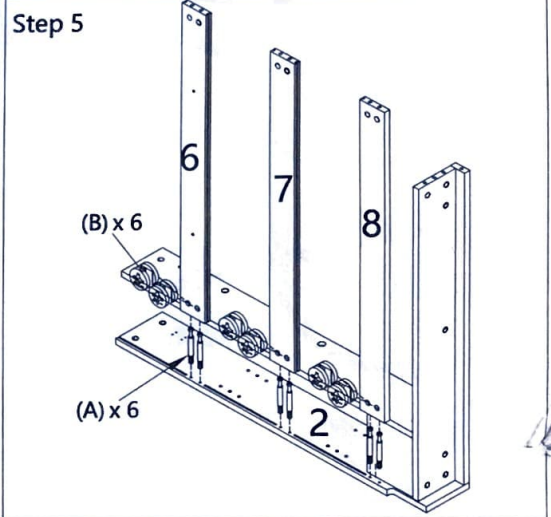
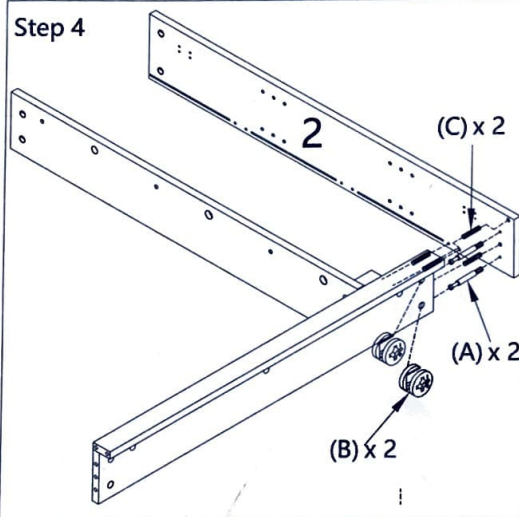
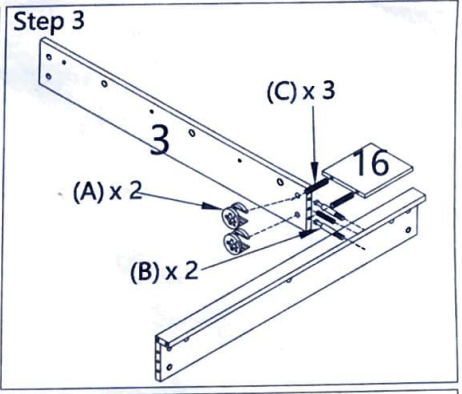
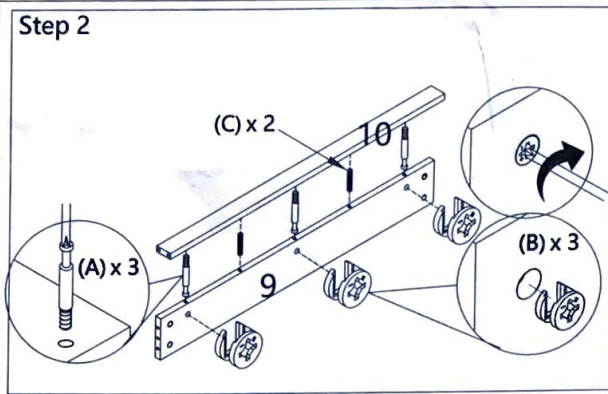
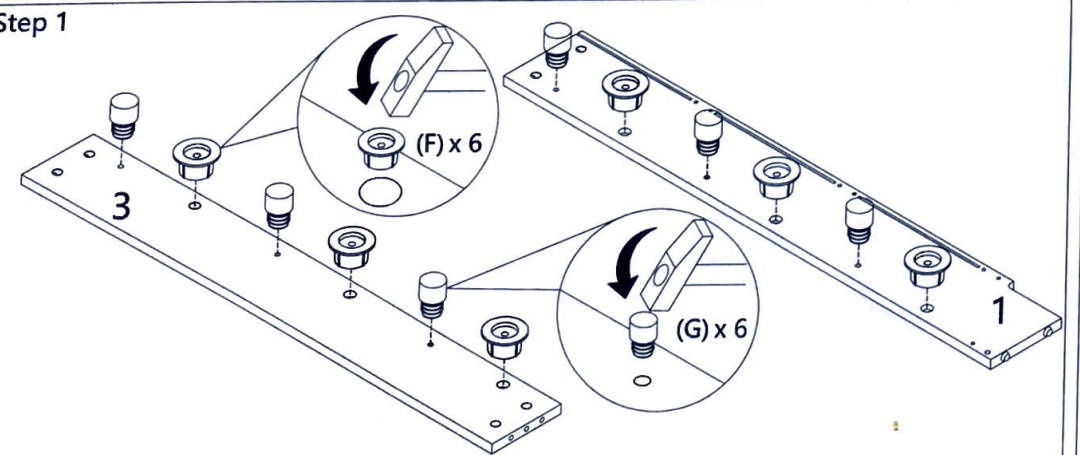
# INSTRUCTION Item:SC223



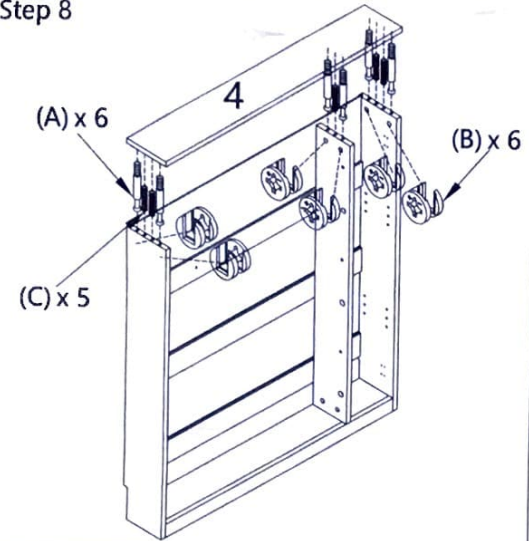
## Parts & Hardware

 1=1 PC	 2=1 PC	 3=1 PC	 4=1 PC				
 5=3 PCS	 6=1 PC	 7=1 PC	 8=1 PC				
 9=1 PC	 10=1 PC	 11=3 PCS	 12=3 PCS				
 13=3 PC	 14=1 PC	 15=2 PCS	 16=1 PC	 A=27PCS	 B=27PCS		
 C=16PCS	 D=36PCS	 E=18PCS	 F=6 PCS	 G=6 PCS	 H=6 SETS	 I=3 SETS	
 J=3 PCS	 K=3 PCS	 L=2 SETS	 M=1 PC	 N=8 PCS	 O=2 PCS	 P=3 SETS	 Q=1 SET

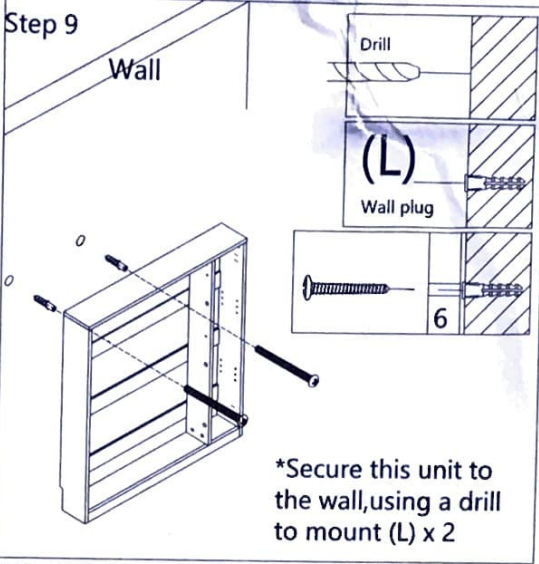
## Assembly



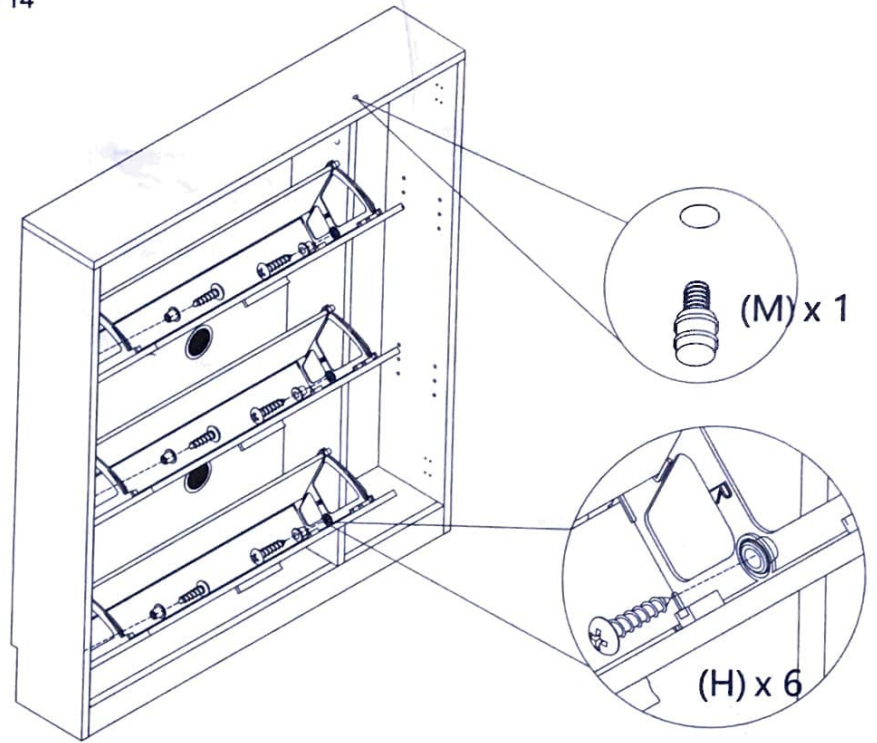
Step 8



Step 9

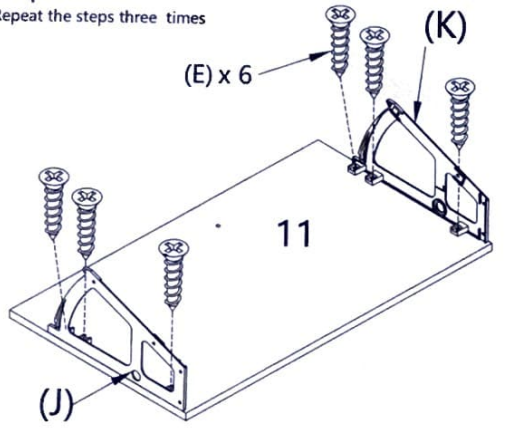


Step 14



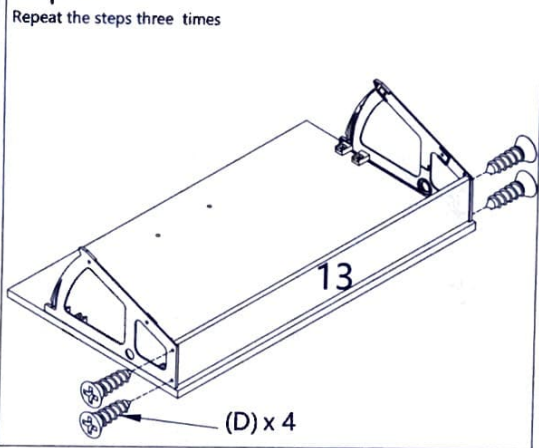
Step 10

Repeat the steps three times



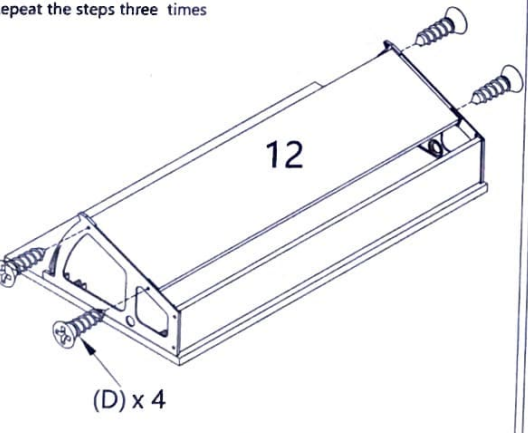
Step 11

Repeat the steps three times



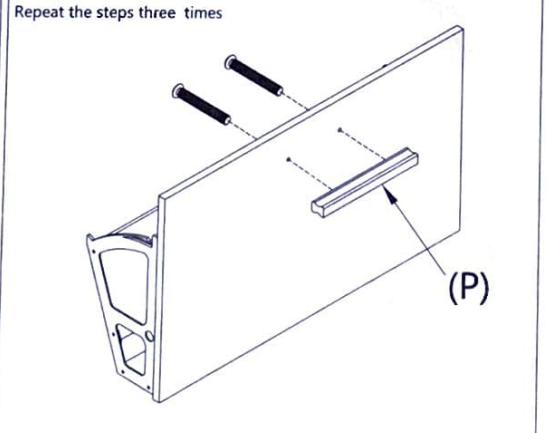
Step 12

Repeat the steps three times



Step 13

Repeat the steps three times



Step 15

