










# Assembly Instructions

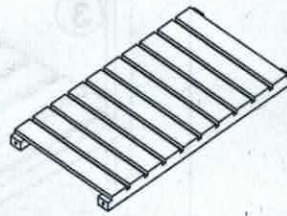
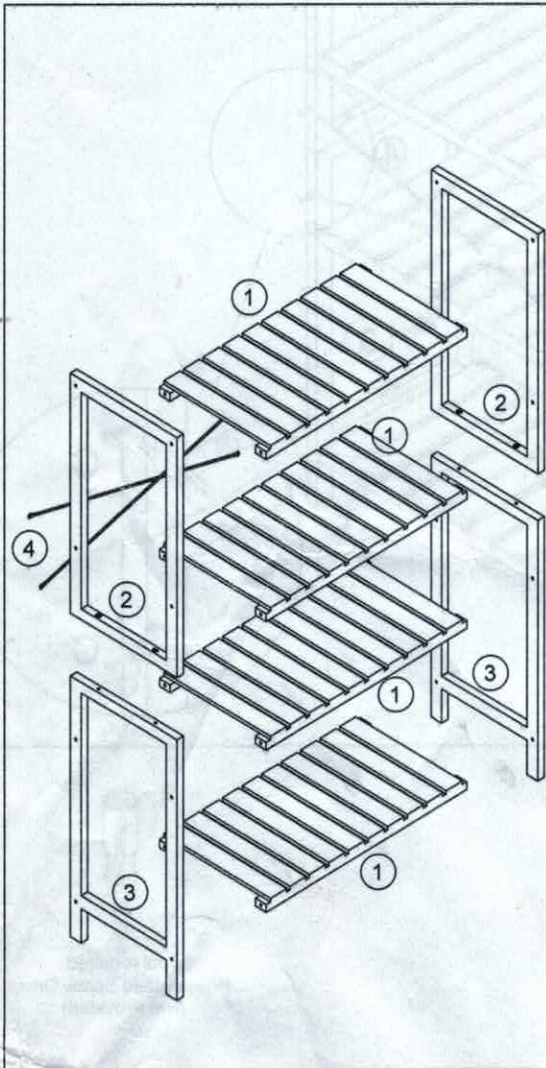
## CARE INSTRUCTIONS:

TO BE ASSEMBLED ON A CLEAN, DRY AND SMOOTH SURFACE. WIPE CLEAN WITH A DRY CLOTH. NEVER USE SCOURERS, ABRASIVES OR CHEMICAL SOLVENTS. CHECK AND TIGHTEN ALL PARTS REGULARLY. KEEP AWAY FROM MOISTURE AND DIRECT SUNLIGHT. STORE IN A DRY PLACE. FOR INDOOR USE ONLY.

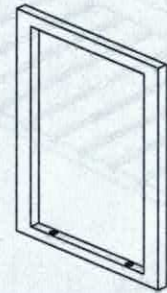
**WARNING:**  
DO NOT STAND, SIT OR LEAN ON THIS UNIT. DO NOT USE THIS UNIT AS A STEP LADDER OR AS A CHOPPING SURFACE. ENSURE THIS UNIT IS USED ONLY ON A FLAT SURFACE. DO NOT USE THIS UNIT UNLESS ALL BOLTS AND SCREWS ARE FIRMLY SECURED. KEEP AWAY FROM CHILDREN AND BABIES. THIS PACKAGE CONTAINS SMALL PARTS AND SHARP POINTS. ADULT ASSEMBLY REQUIRED. A MILD ODOUR MAY BE PRESENT WHEN FIRST OPENING THIS CARTON. SIMPLY ALLOW TO AIR OUTSIDE AND THIS WILL FADE. **MAXIMUM SAFE LOAD: 15KG FOR EACH LAYER.**

## Hardware list

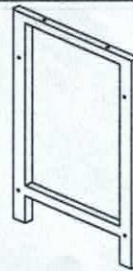
|   |   |        |       |   |   |        |      |
|---|---|--------|-------|---|---|--------|------|
| A |  | 7X50mm | 16pcs | F |  | ø4mm   | 4pcs |
| B |  | 6X35mm | 4pcs  | G |  |        | 2pcs |
| C |  | 3X15mm | 6pcs  | H |  | 3X40mm | 2pcs |
| D |  |        | 4pcs  | I |  |        | 1pc  |
| E |  |        | 2pcs  |   |   |        |      |



1 4 pcs



2 2 pcs

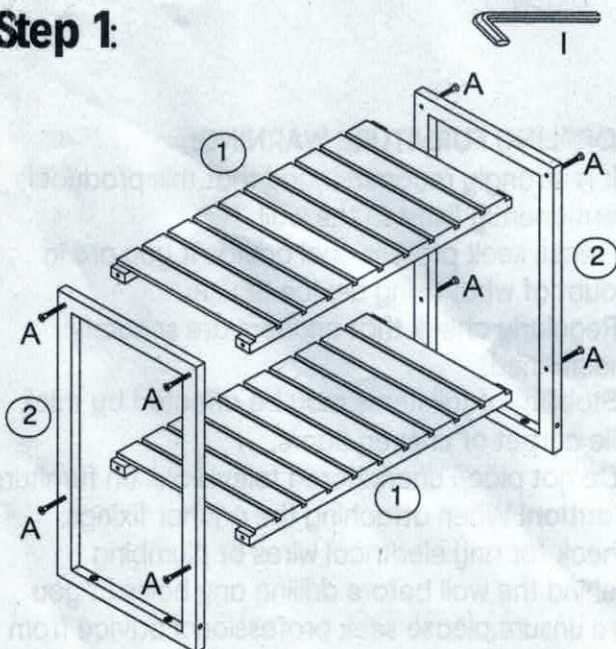


3 2 pcs

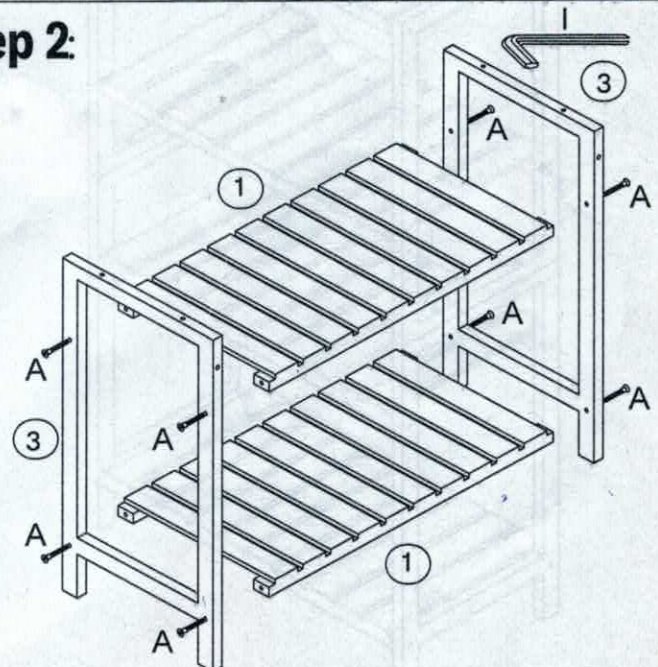


4 1 pc

## Step 1:

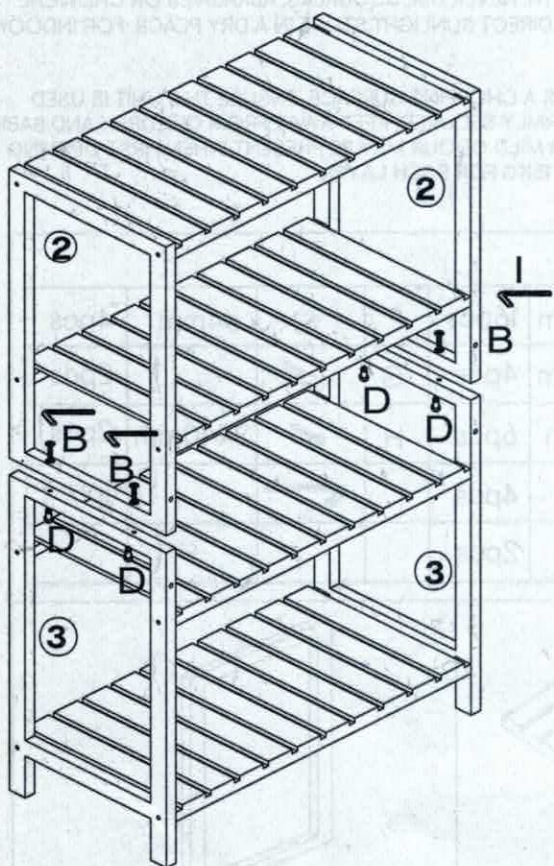


## Step 2:

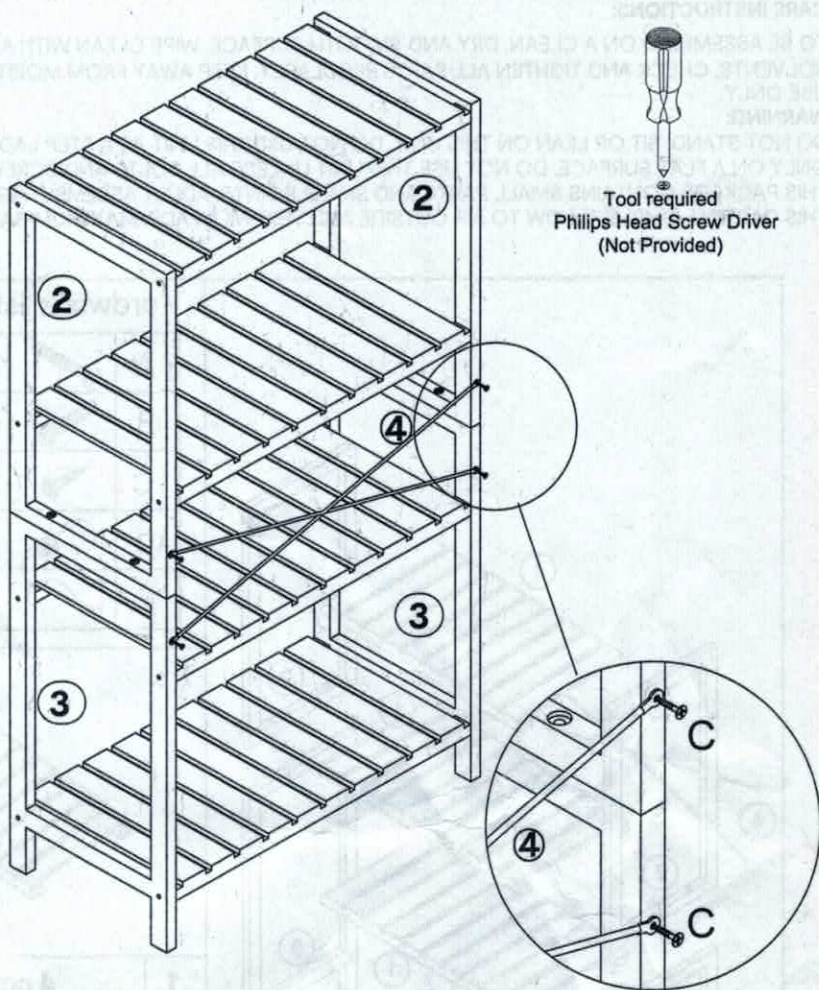




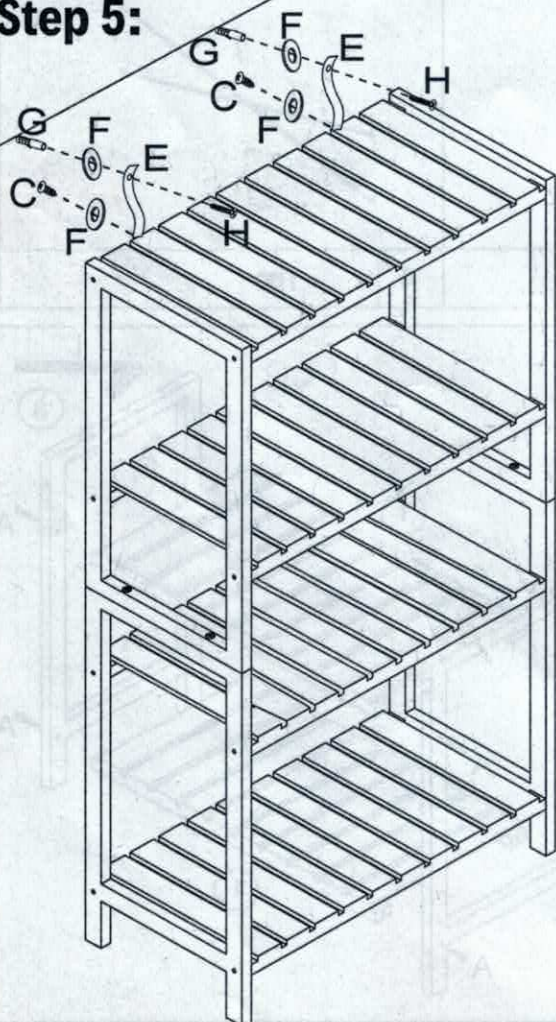
**Step 3:** Do not tighten all screw before assembly finish.



**Step 4:**



**Step 5:**



**TOPPLING FURNITURE WARNING:**

- › It is strongly recommended that this product is permanently fixed to the wall.
  - › Please seek professional advice if you are in doubt of what fixing device to use.
  - › Regularly check that anchors are securely maintained.
  - › Stability of tall items may be affected by thick pile carpet or uneven floors.
  - › Do not place unanchored televisions on furniture.
- Caution!** When attaching the anchor fixings, check for any electrical wires or plumbing behind the wall before drilling any holes (if you are unsure, please seek professional advice from a qualified tradesperson).