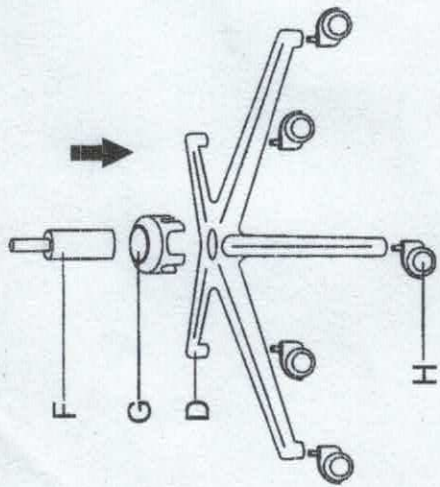
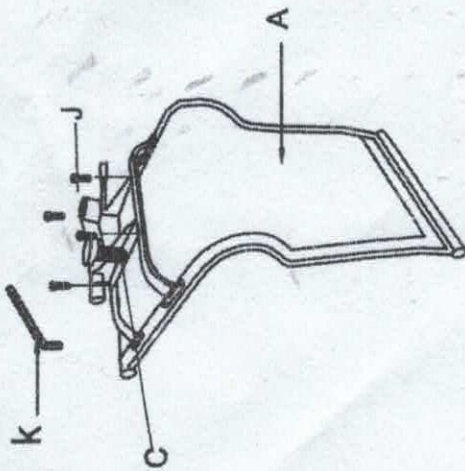


# ASSEMBLY INSTRUCTION SHEET

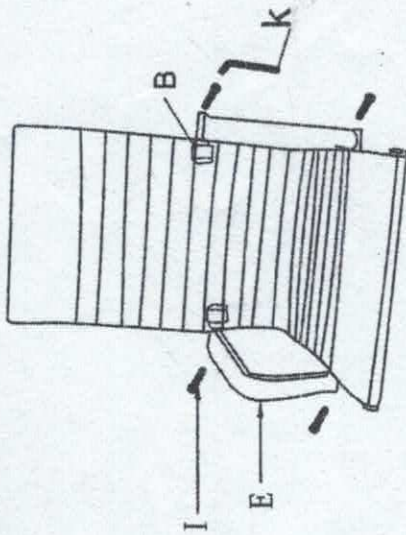
STEP 1



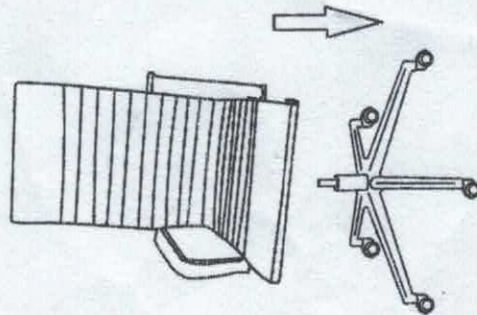
STEP 2



STEP 3



STEP 4



STEP 5

