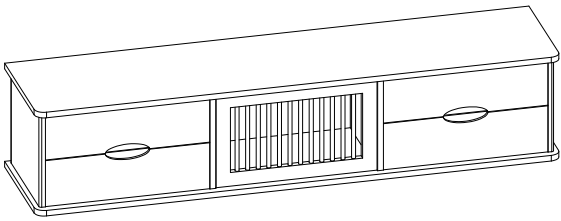


ASSEMBLY INSTRUCTION



Ax1



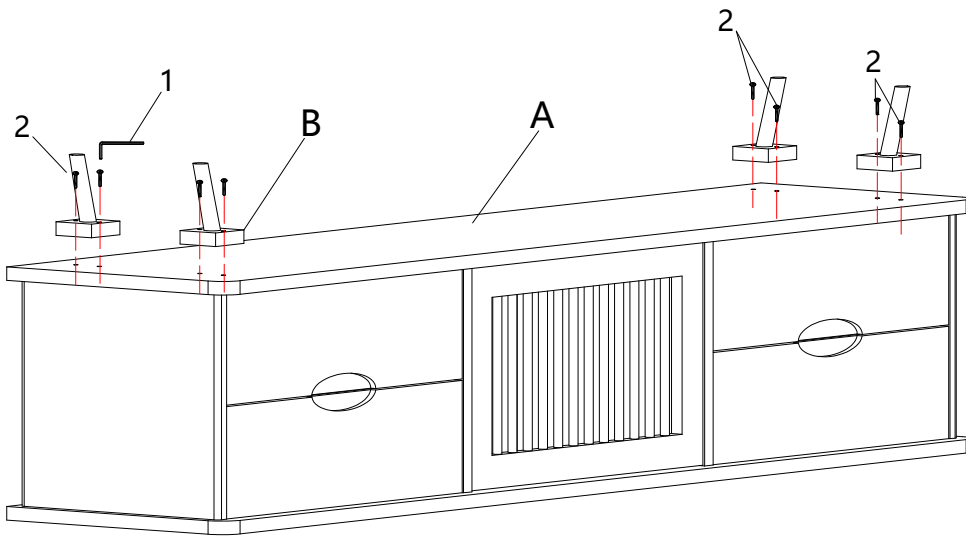
Bx4



① x1



② x8



Note: The legs should be installed outward

