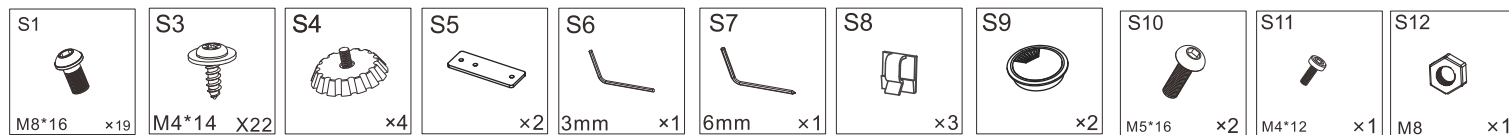
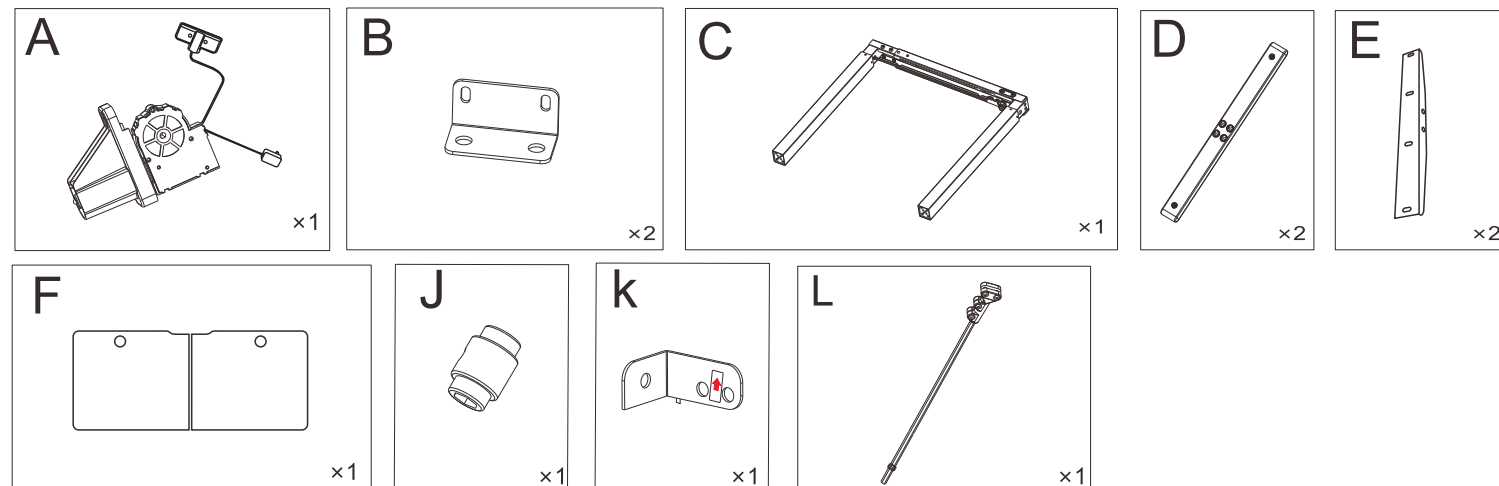


Assembly Instruction

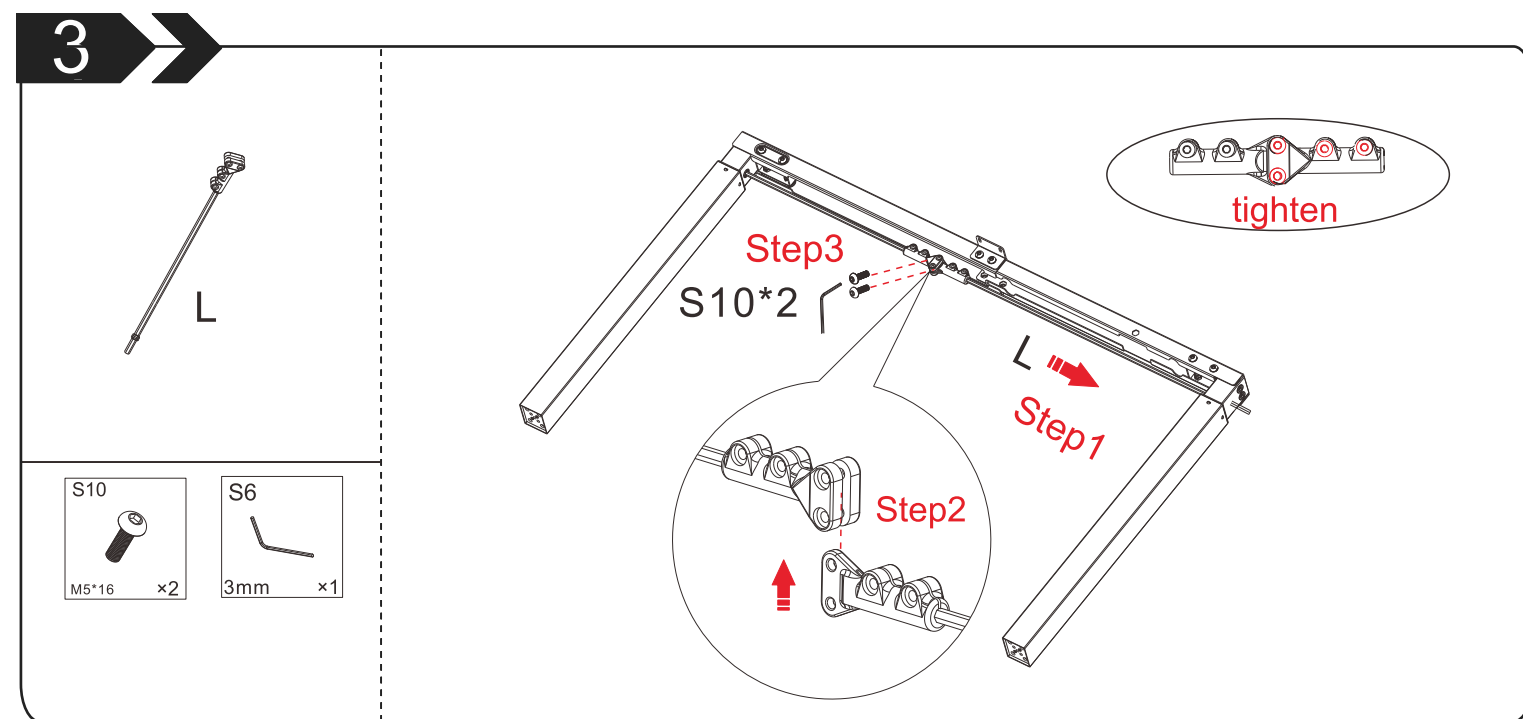
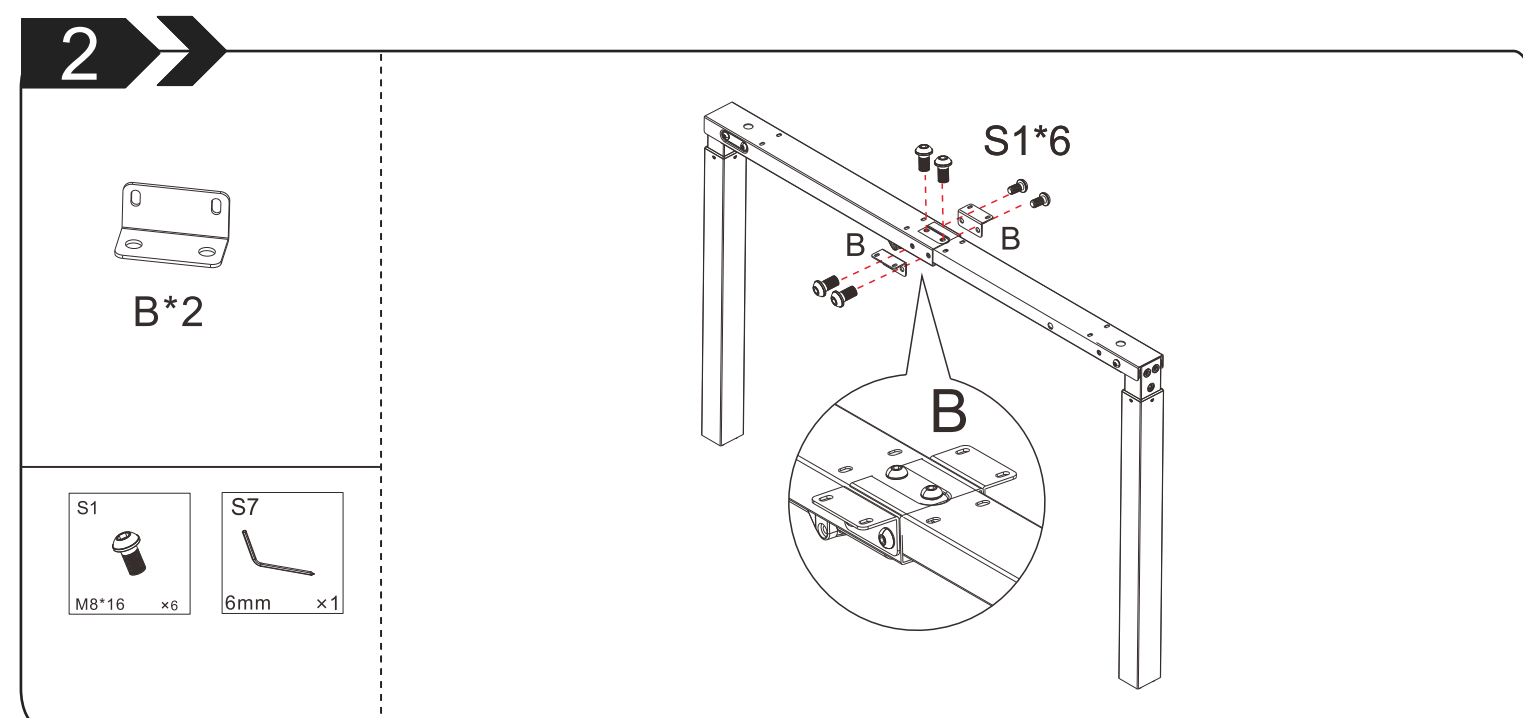
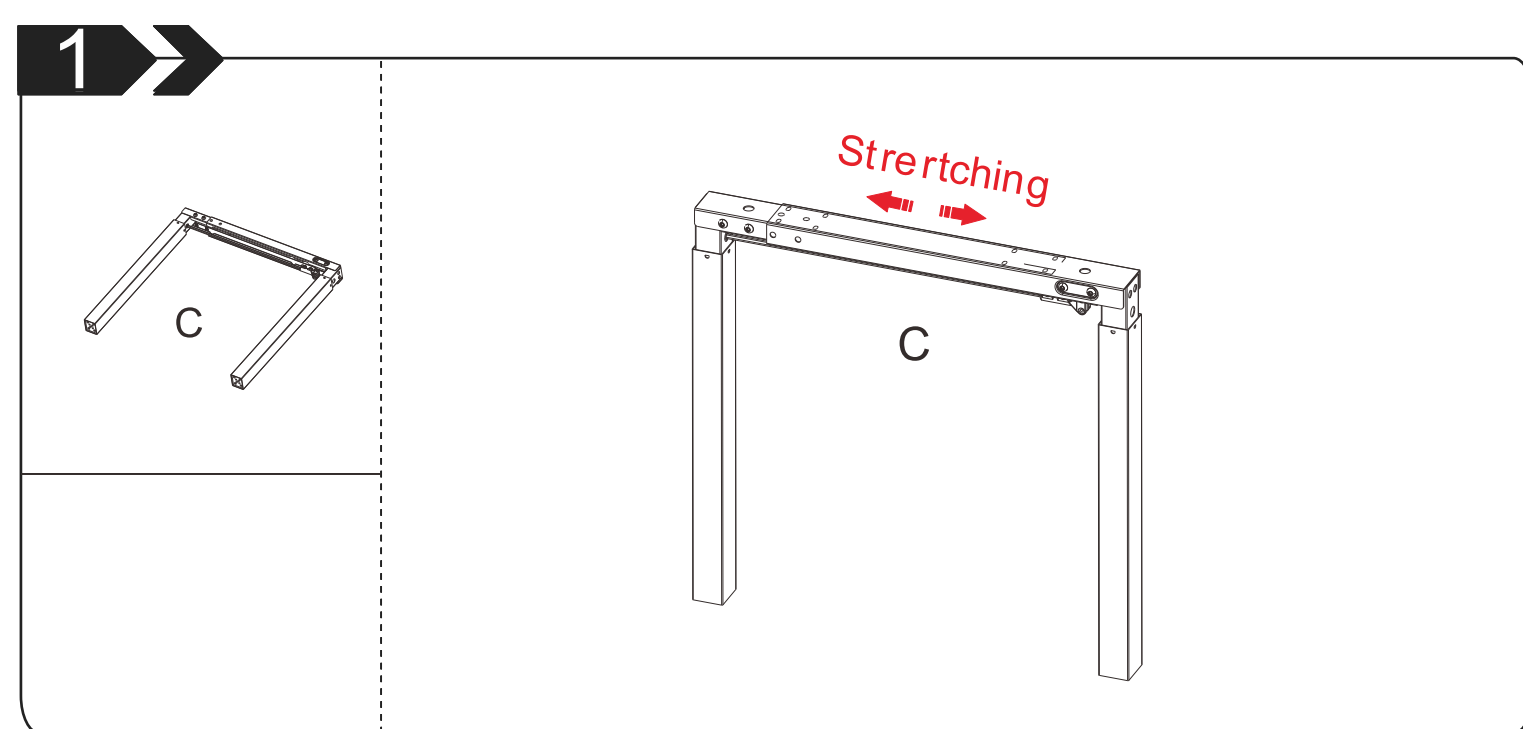
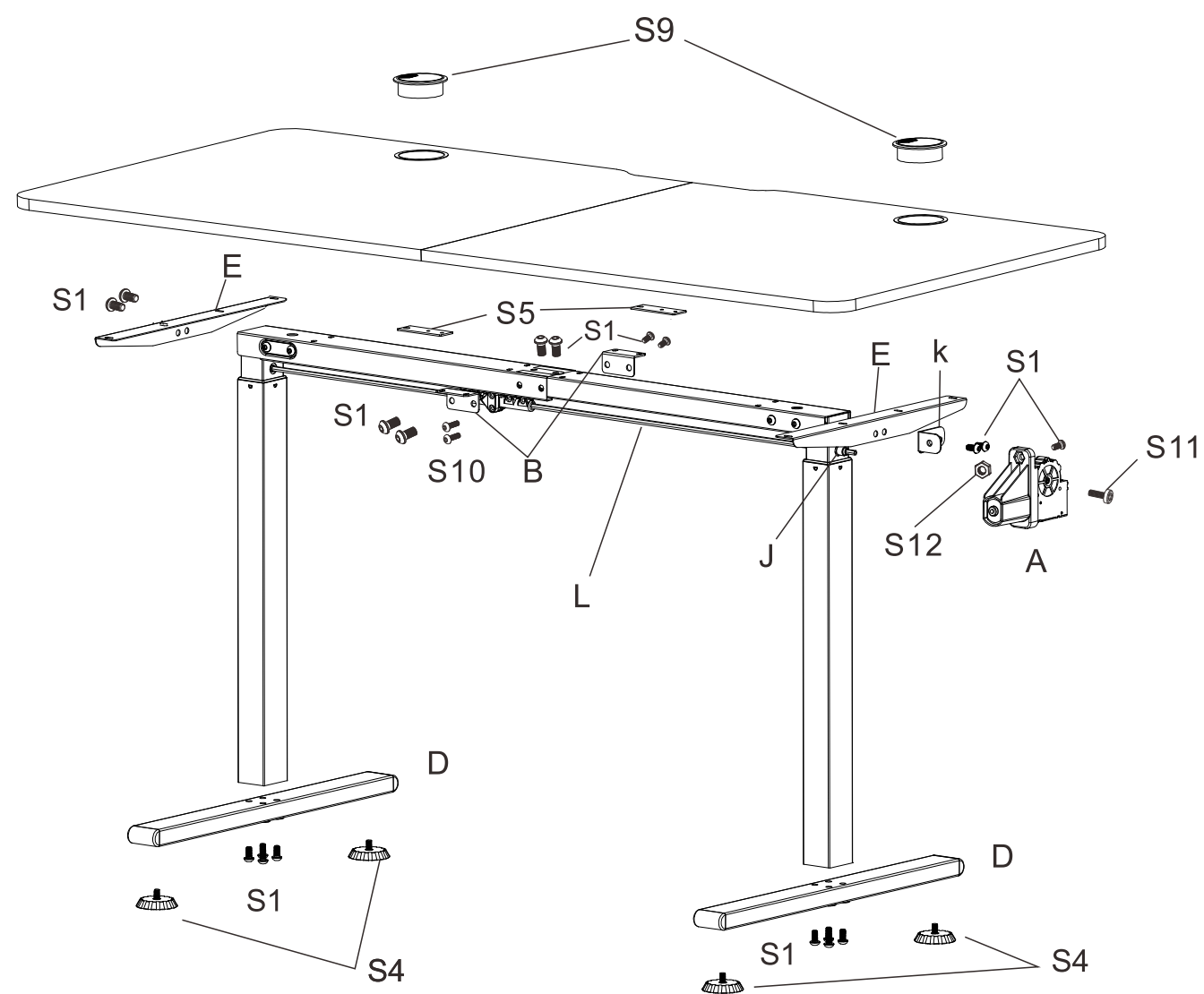
• SCREW ACCESSORIES



• PARTS ACCESSORIES



• DETAIL INSTRUCTION



4

E*2 K*1

S1*2 E E S1*2 k

S1 M8*16 x4 S7 6mm x1

7

F S3*4 S5 S5

S5*2

S3 M4*14 X4 S7 6mm x1

1. Please make sure the two boards are aligned and seamless
2. and then tighten the screws.

5

D*2 S4*4

S1*8 S4*4 D D

S1 M8*16 x8 S7 6mm x1

8

A*1 S8*3 S3*18 A

S8*3 S3 M4*14 X18 S7 6mm x1

6

A*1 J*1

S1 M8*16 x1 S11 M4*12 x1 S12 M8 x1 S7 3/6mm x1

Step 1 Step 2

Please make sure the table legs are vertical to the connecting rod. And then tighten all the screws.

9

S9 S9

After the table is installed, please press the key to start

The table will automatically drop to the lowest point, stay for 3 seconds, then rise to the highest point, and finally return to the initial position - successful installation