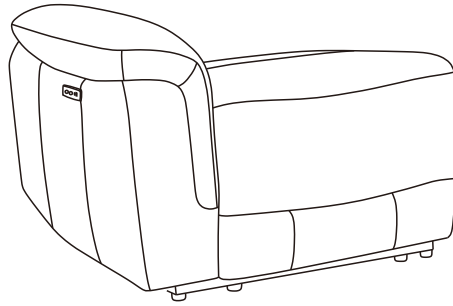


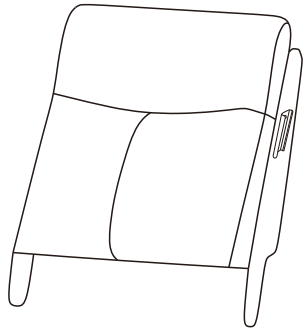
Ax1



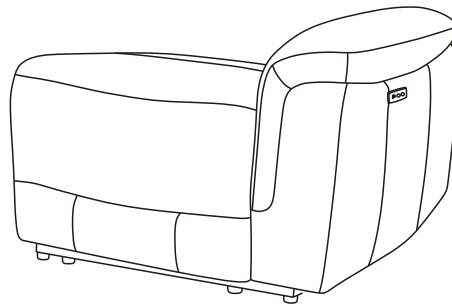
Bx1



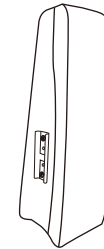
Cx1



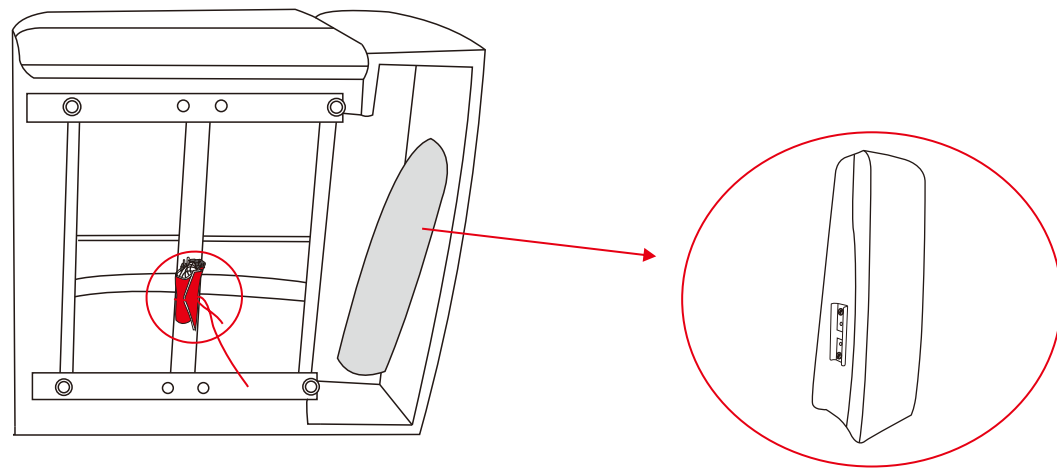
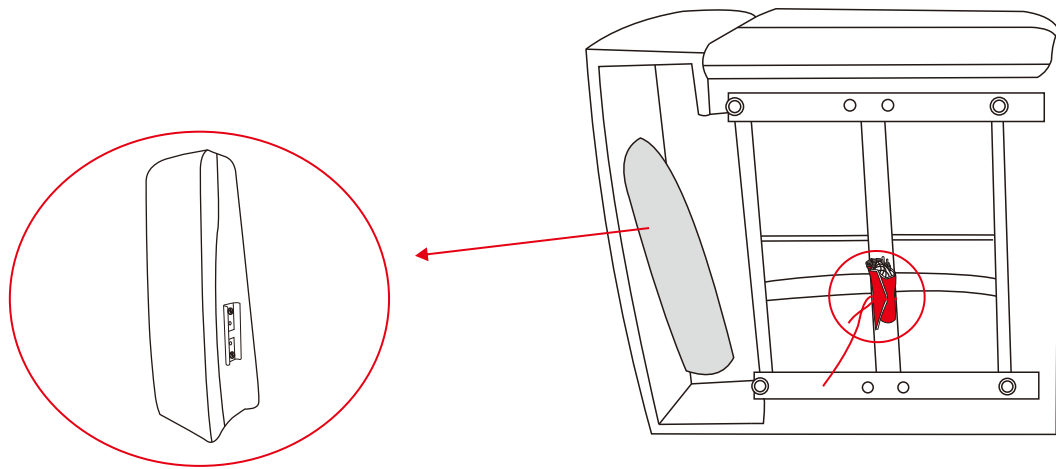
Dx1

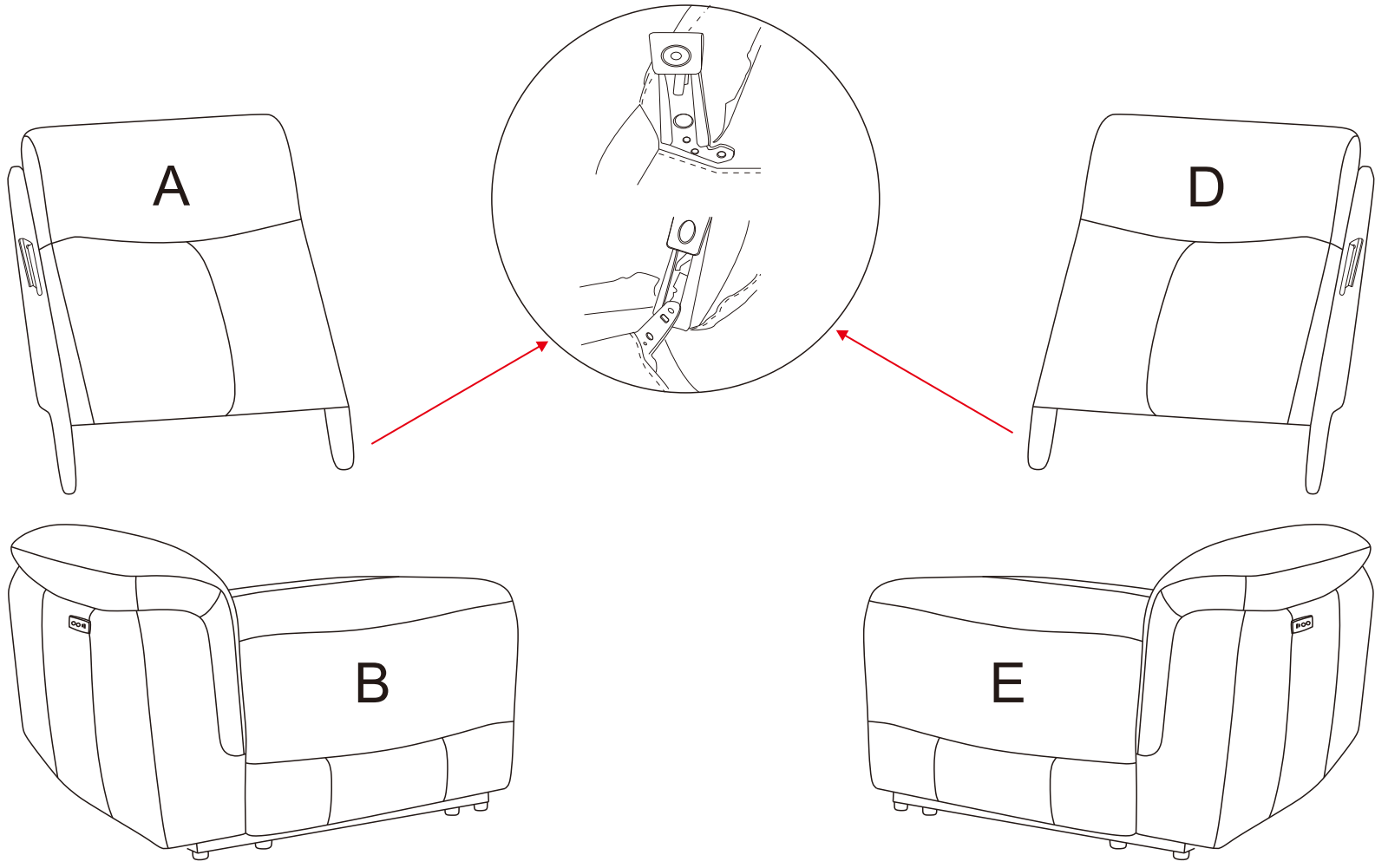


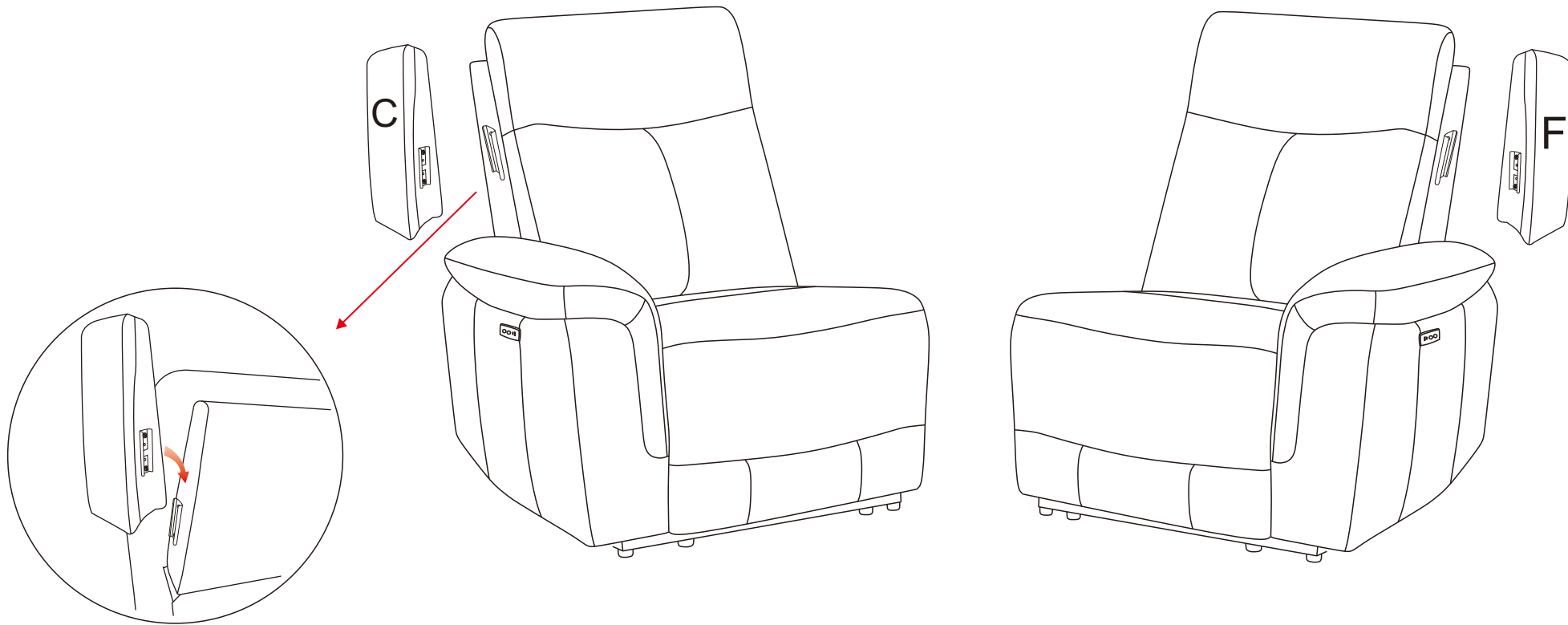
Ex1

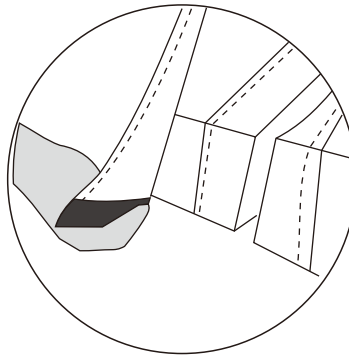
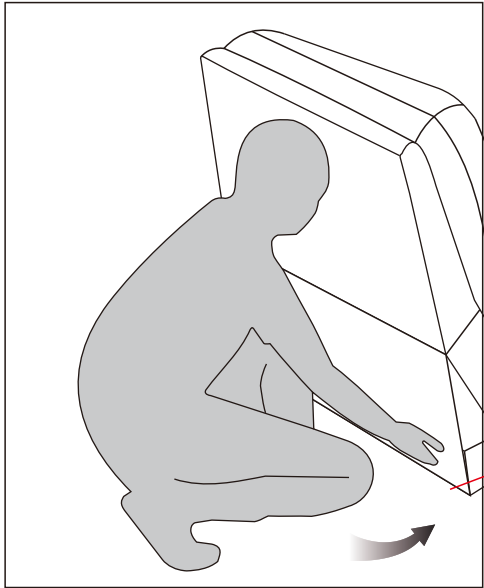
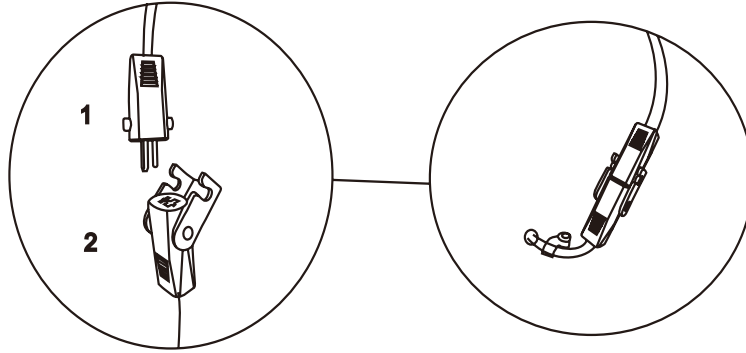
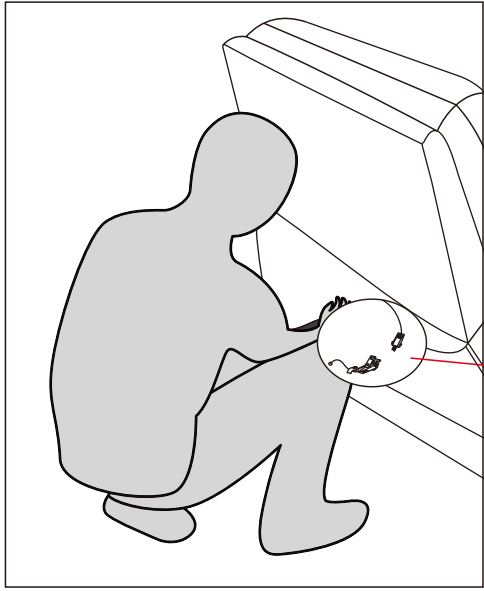


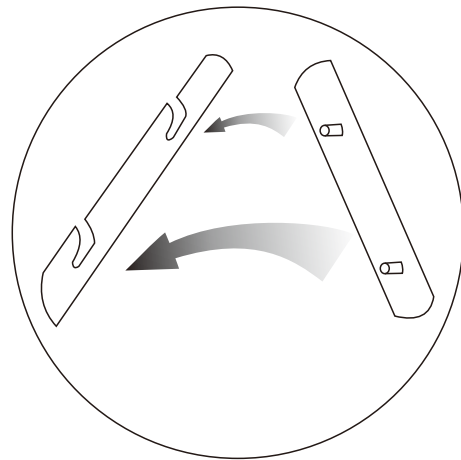
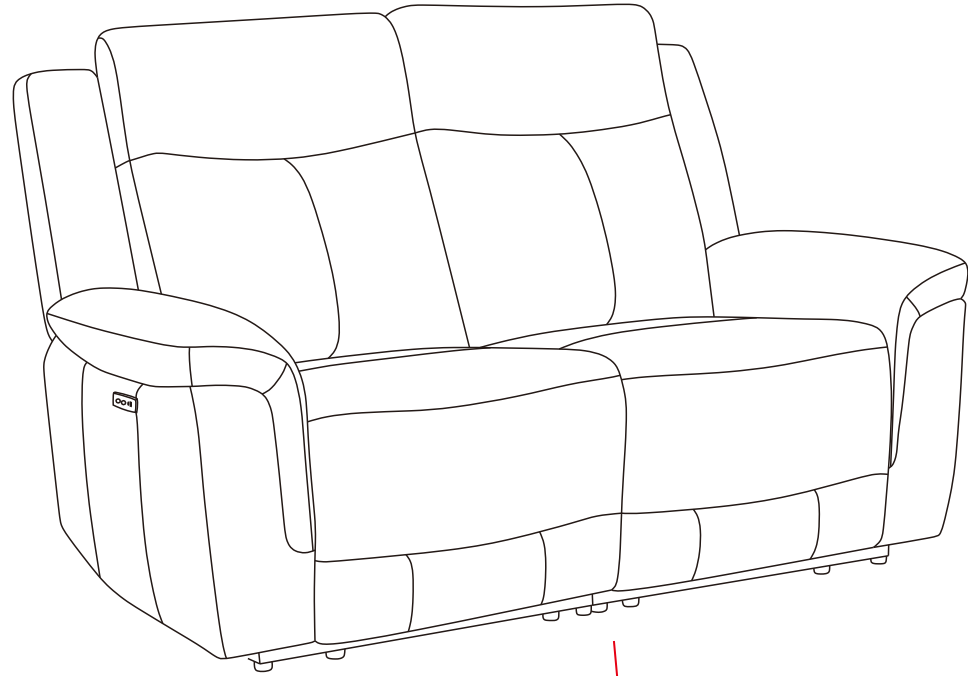
Fx1

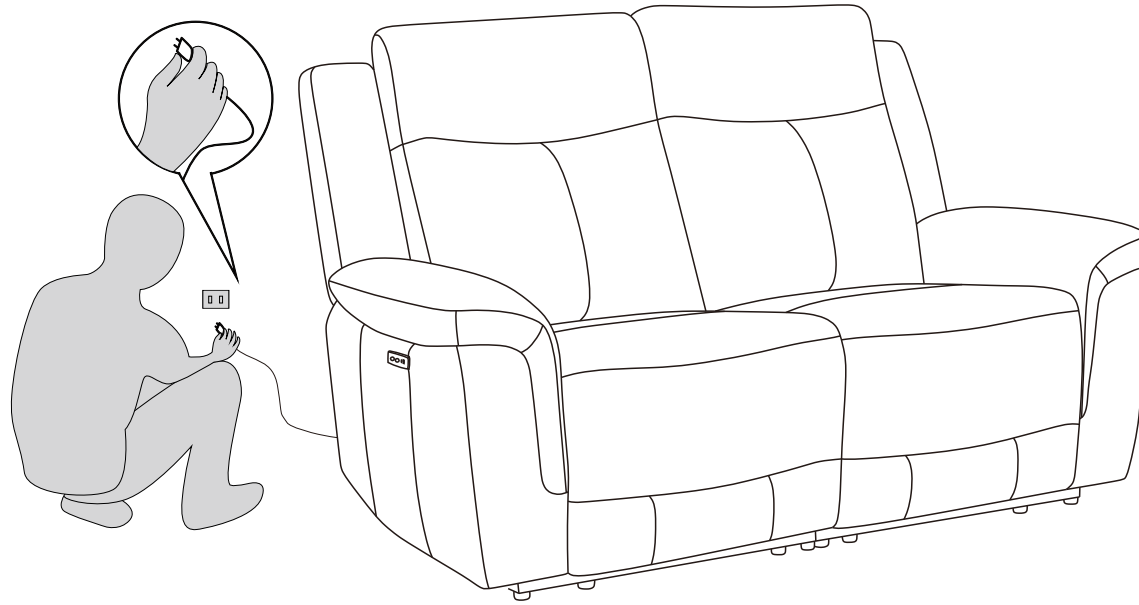




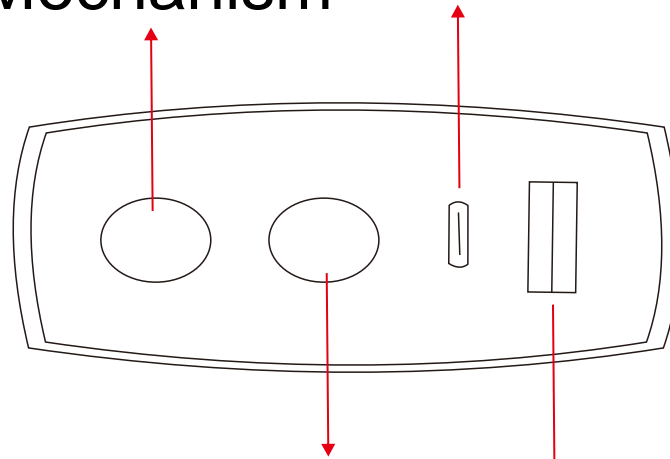








Close Mechanism Type-C



Open Mechanism

USB