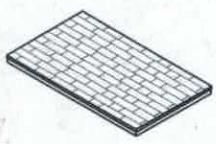

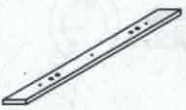



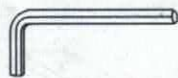




# 759-056

A x 1 	B x 2 	C x 2 	D x 1 
E x 14  5/16"x45mm	F x 4  5/16"x82mm	G x 1 	H x 4 

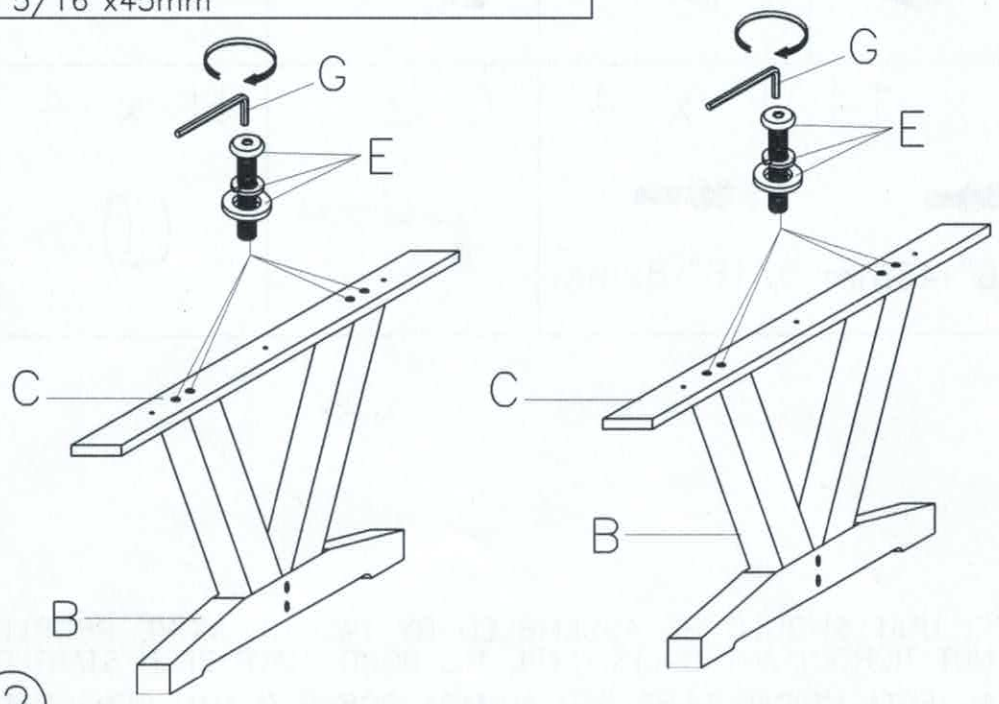
- ⚠ NOTE: UNIT SHOULD BE ASSEMBLED BY TWO OR MORE PEOPLE. DO NOT TIGHTEN ANY BOLTS UNTIL ALL BOLTS HAVE BEEN STARTED!
- ⚠ NOTA: ¡ESTA UNIDAD DEBE SER ARMADA POR 2 O MAS PERSONAS! NO APRIETE NINGUN PERNO HASTA QUE TODOS ESTEN EN SU LUGAR!
- ⚠ REMARQUE: LE MEUBLE DOIT ETRE ASSEMBLÉ PAR DEUX PERSONNES OU PLUS. NE BLOQUER AUCUNE VIS TANT QUE VOUS N'AVEZ PAS COMMENCE A TOUTES LES DEMARRER!
- ⚠ 注意：产品应由两个或者两个以上的人员组装。在产品组装过程中，不要锁紧螺栓！

1

E x 8  
5/16"x45mm

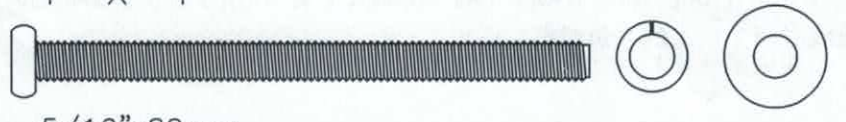


This block contains a technical drawing of a bolt and two washers. The bolt is labeled 'E x 8' and '5/16"x45mm'. To the right of the bolt are two circular washers, one showing the outer ring and the other showing the inner hole.

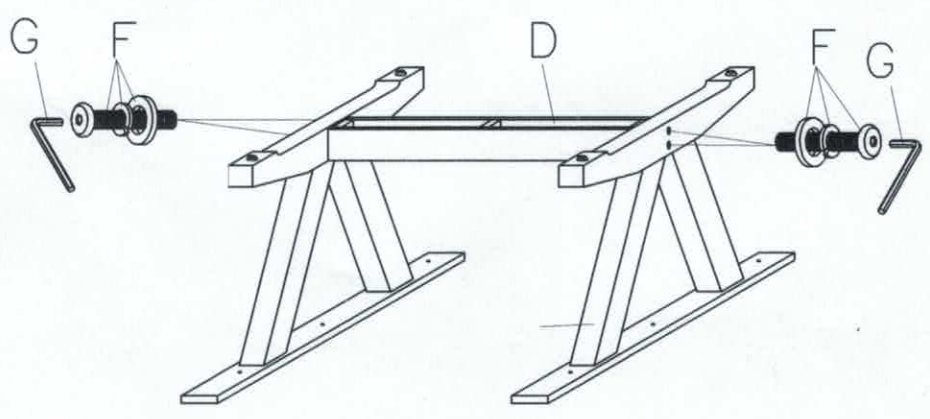


2

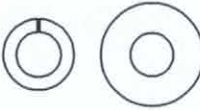


F x 4  
5/16"x82mm

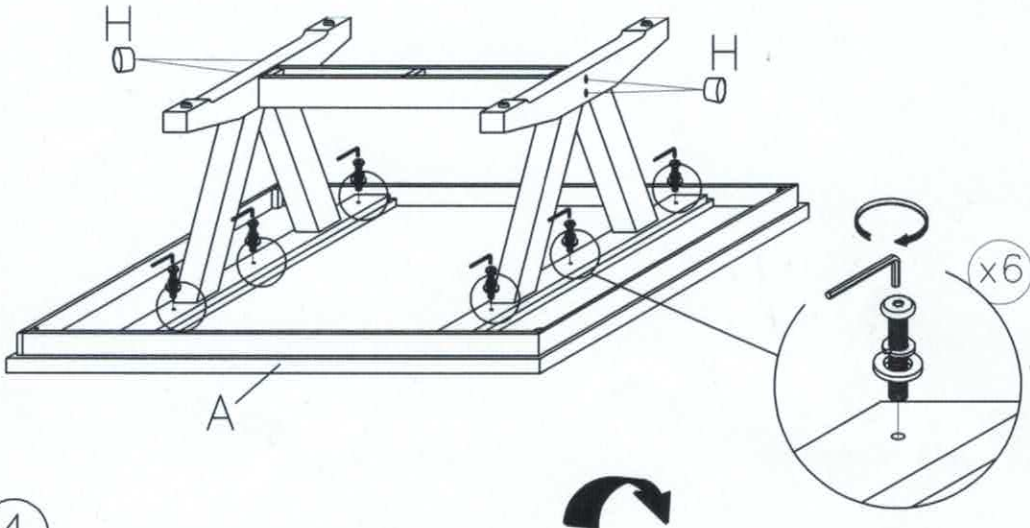


This block contains a technical drawing of a bolt and two washers. The bolt is labeled 'F x 4' and '5/16"x82mm'. To the right of the bolt are two circular washers, one showing the outer ring and the other showing the inner hole.



3

E x 6		H x 4
 5/16"x45mm		



4

