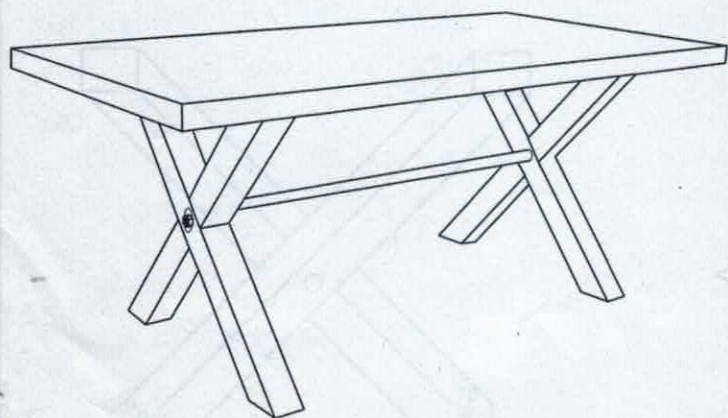


ASSEMBLY INSTRUCTION

PART LIST



A*8pcs



M8*50MM

B*8pcs



M8*18MM

C*4pcs



M22*60MM

D*2pcs



E*1pcs

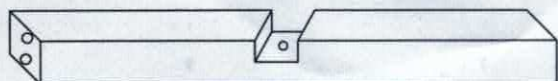


M5

F*4pcs



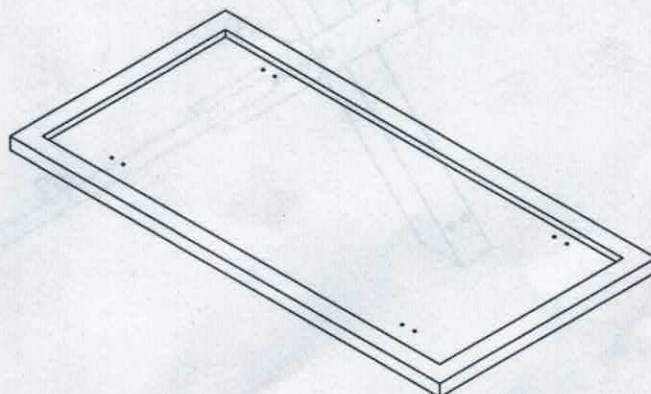
60*60



P1x4pc

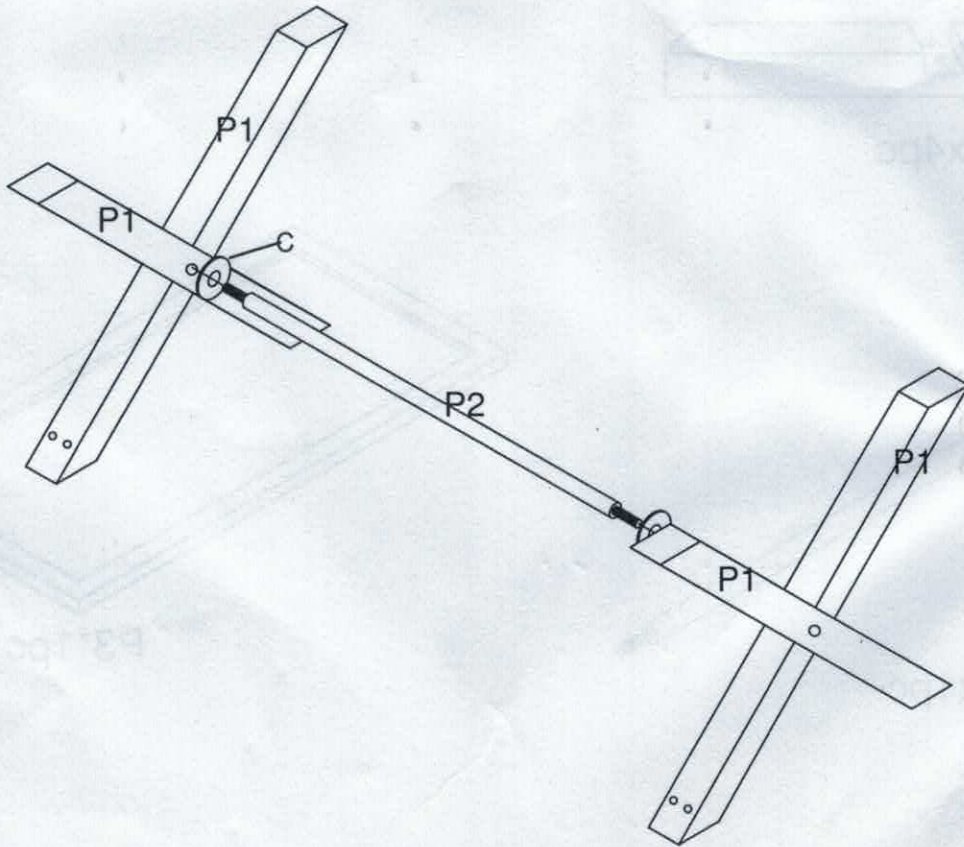
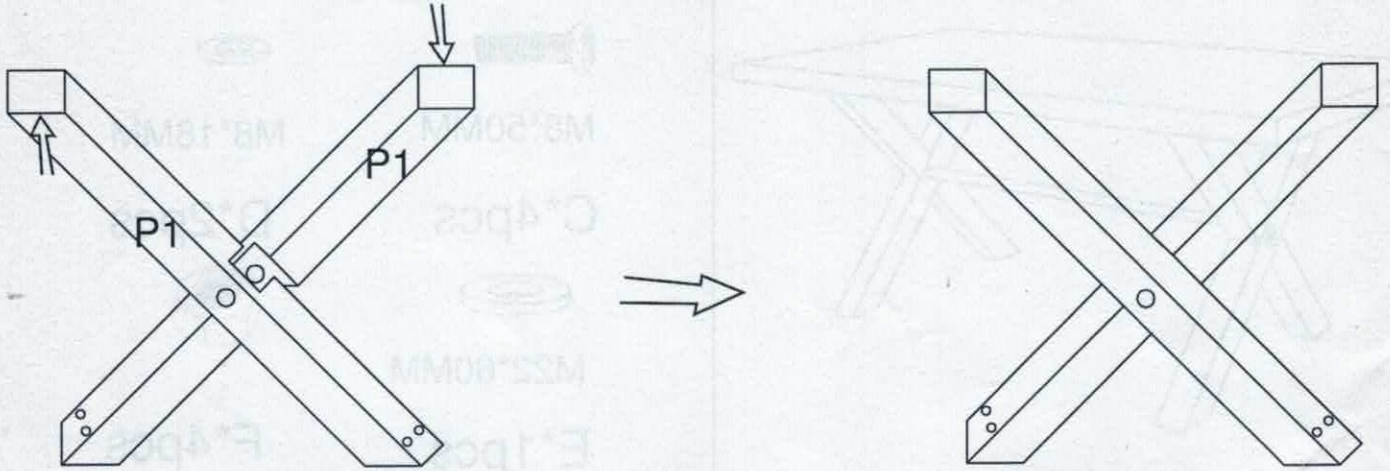


P2x1pc



P3*1pc

ASSEMBLY INSTRUCTION



ASSEMBLY INSTRUCTION

