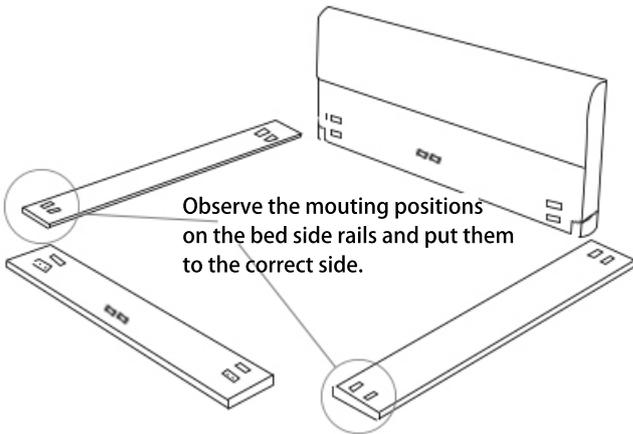


# ifurniture.co.nz / ifurniture.ca: Bed Assembly Instruction

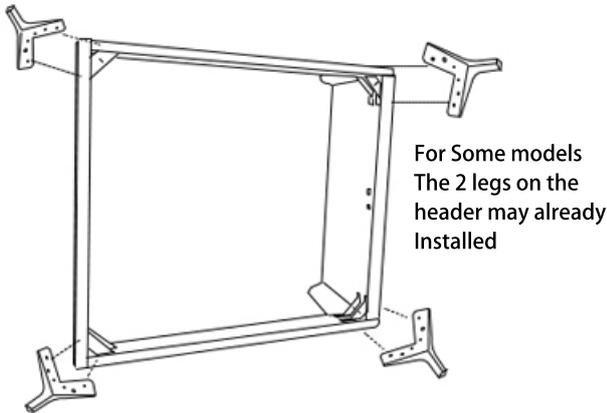
## STEP1

We need to put together the bed frame first and then mount the bed legs



Put the Header, footer and 2 side rails on the ground. Find the correct side of the side rails.

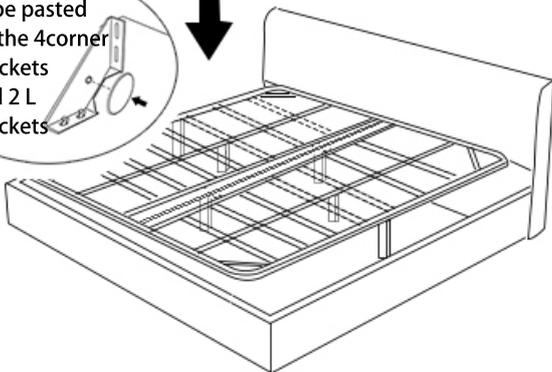
## STEP3



Turn the bed frame to the side and mount the 4 legs. The leg shape and screws quantity may vary.

## STEP5

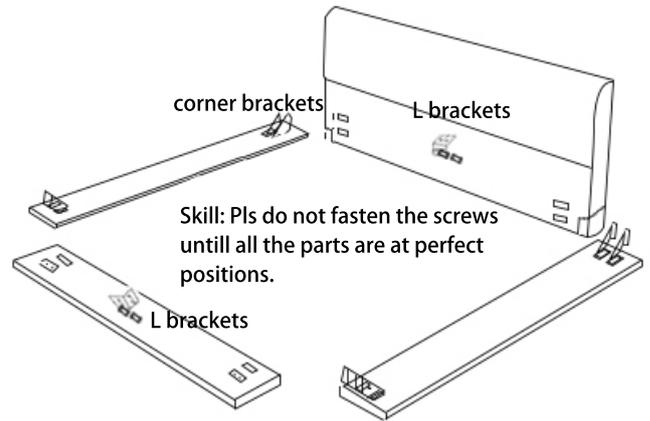
Noice deduct pads to be pasted on the 4 corner brackets and 2 L Brackets



Put the slats frame into the bed frame. Paste those 6 pads on the brackets to deduct the noise.

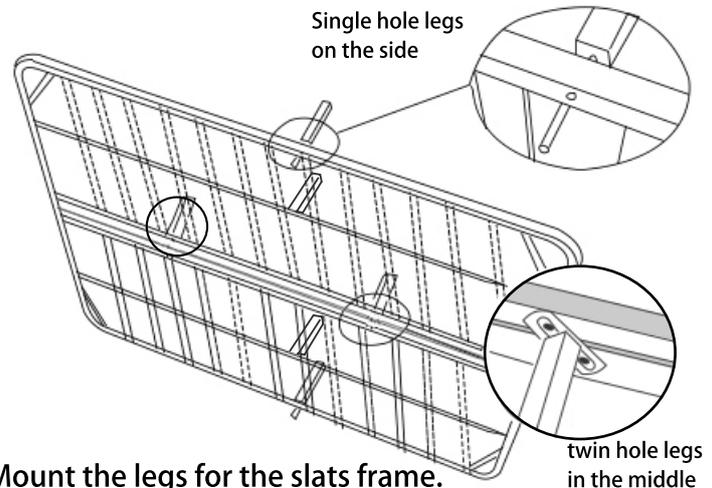
Hardware: 1. Bed leg x 4; 2. Corner Bracket x 8; 3. Bracket Bot x 38; 4. Slats Frame Leg, Single Hole x 4; 5. Slats Frame Leg, Double Hole x 2; 6. Long Bolt for Slats Frame Legs x 6; 7. Nut for Slats Frame Legs x 6; 8. L Bracket x 2; 9. Screw x 12  
\*Screw qty may on different leg designs.

## STEP2



Use the 8 corner brackets to connect the header, footer and side rails. Put 2 L brackets on Header and footer.

## STEP4



Mount the legs for the slats frame.

## HARDWARE LIST

