
















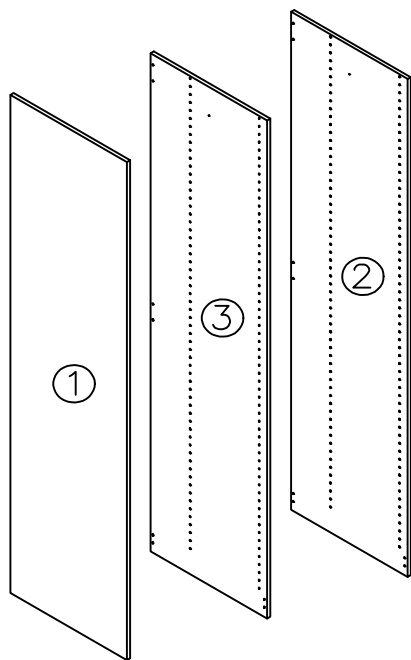


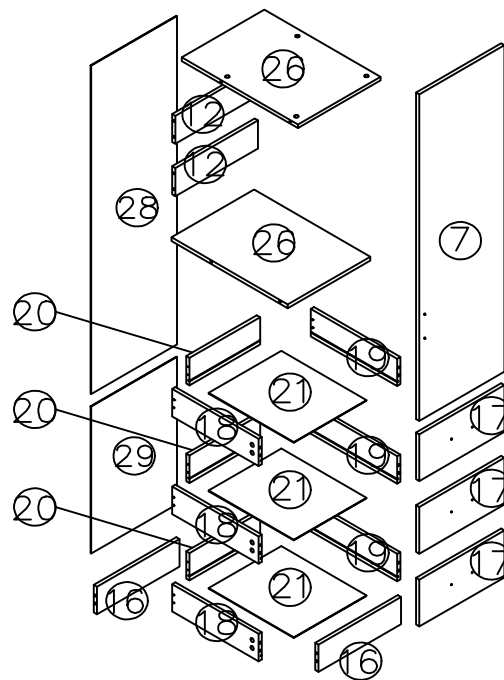
3 DOOR+3 SHORT DRAWER WARDROBE

A		Ø15x12	60	PCS	J		Ø14	6	PCS
B		Ø7x29	60	PCS	K1		16"	3	SETS
C		96MM	6	PCS	K2				
D		M4x20	12	PCS	L		Ø4x40	12	PCS
E		Ø6x9	22	PCS	M			2	PCS
F		Ø6x7	12	PCS	P			12	PCS
G			11	PCS	Q		Ø19	12	PCS
H		Ø3.5x14	69	PCS	S		1761MM	1	PCS
I		18MM	80	PCS	V		378MM	1	PCS

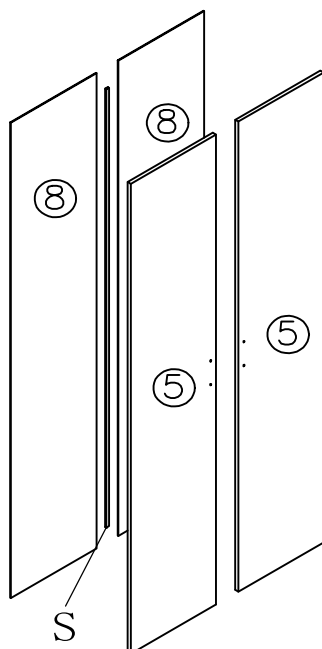
B. L/R panel+1partition



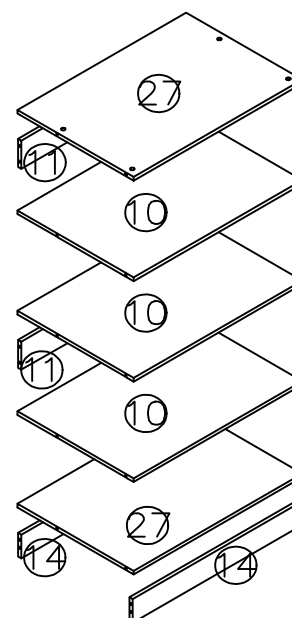
D. 1door+3drawer section



F. 2 Full door section



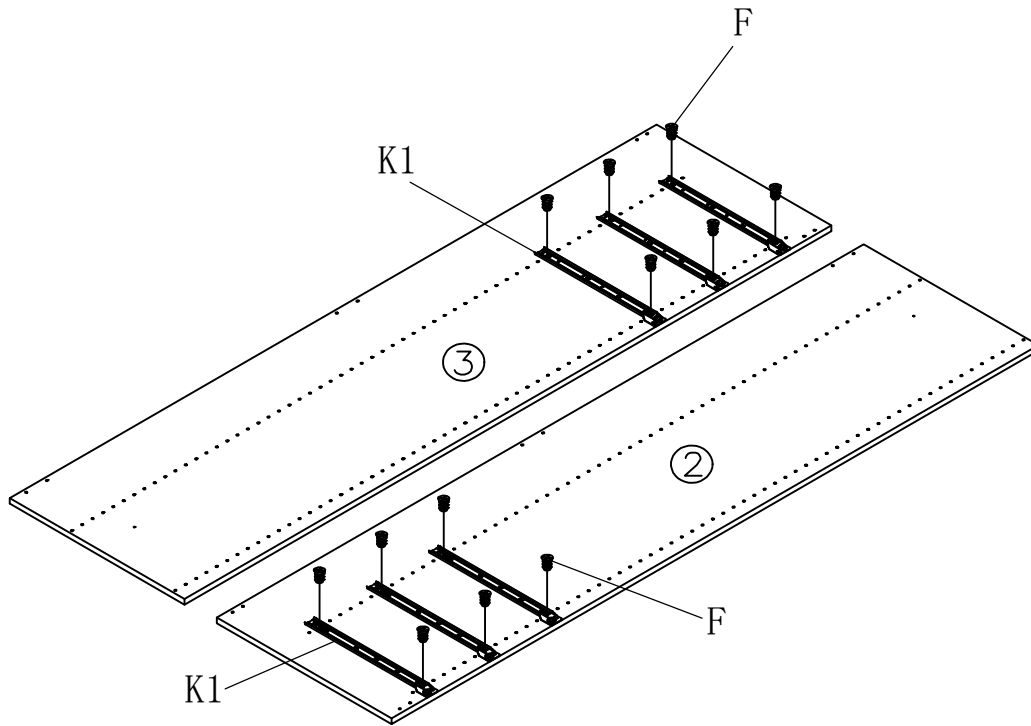
G. Inner parts for 2 doors



STEP 1

Fx12

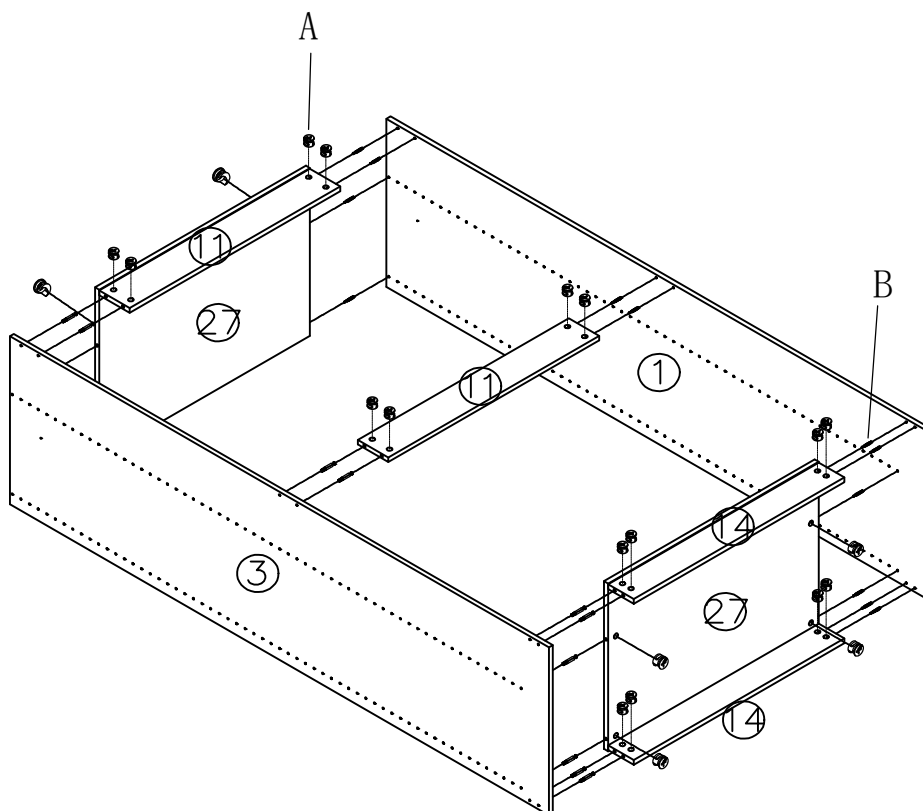
K1x6



STEP 2

Ax24

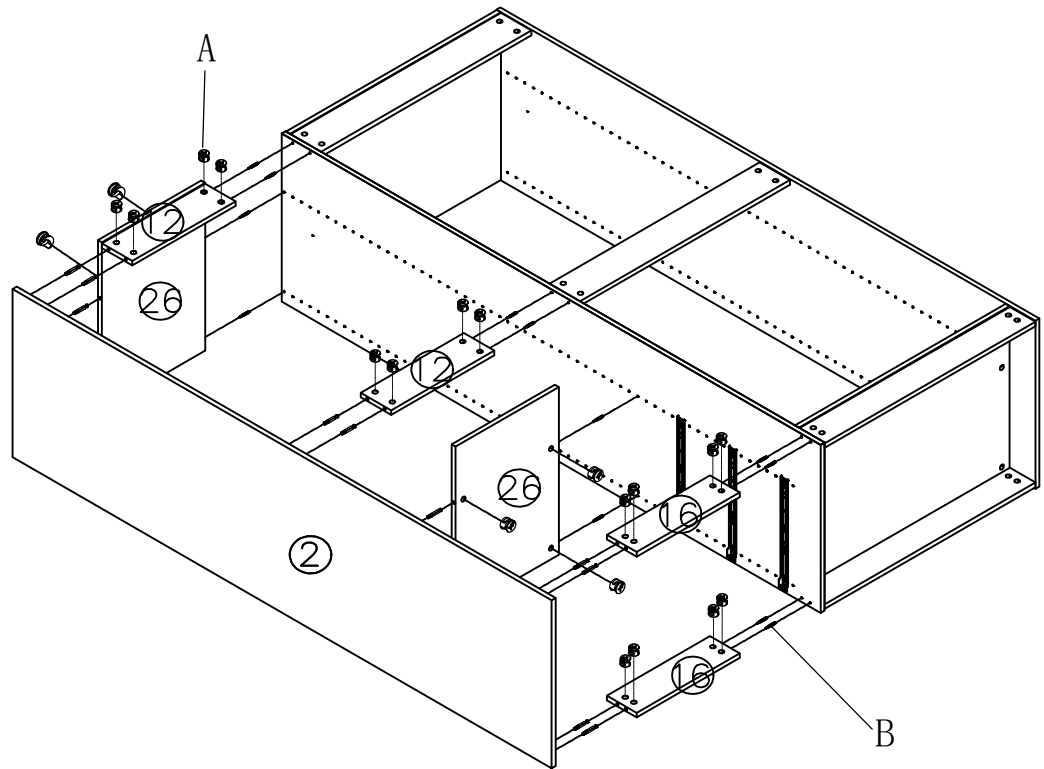
Bx24



STEP 3

Ax24

Bx24



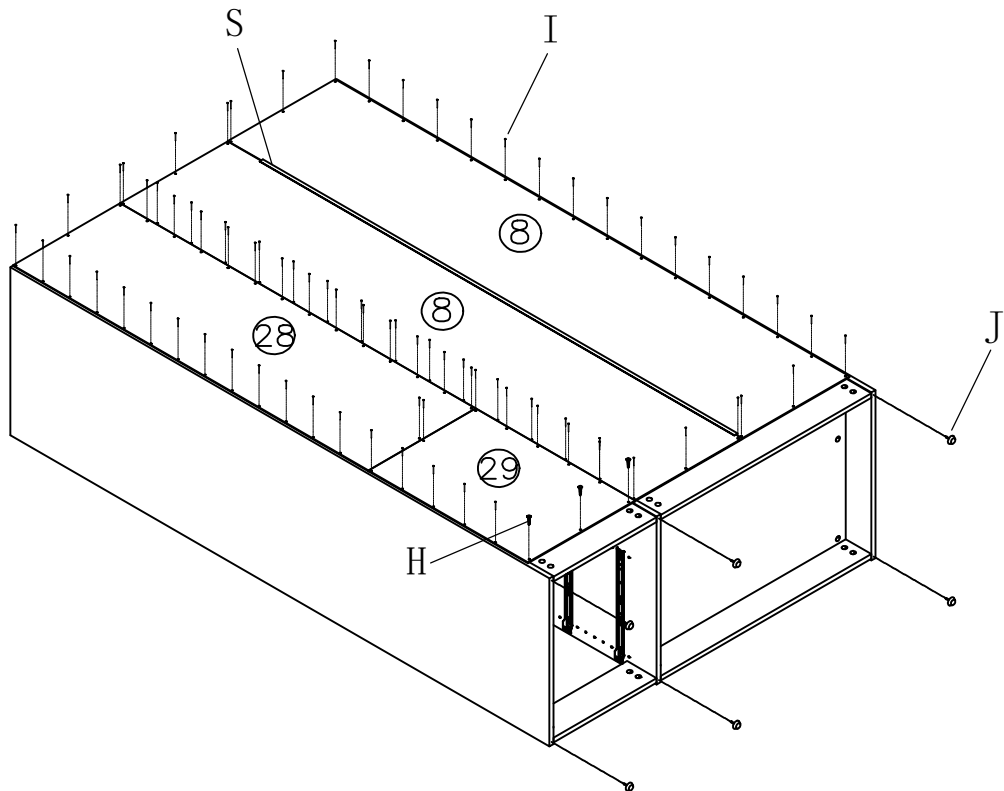
STEP 4

Hx3

Ix80

Jx6

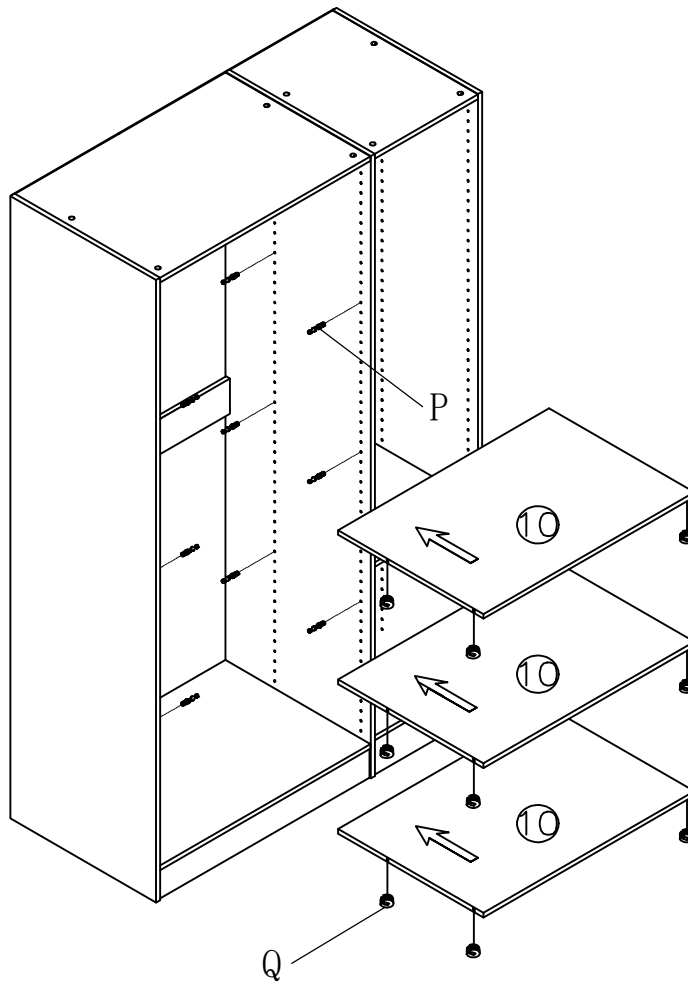
Sx1



STEP 5

Px12

Qx12



STEP 6

Cx3

Dx6

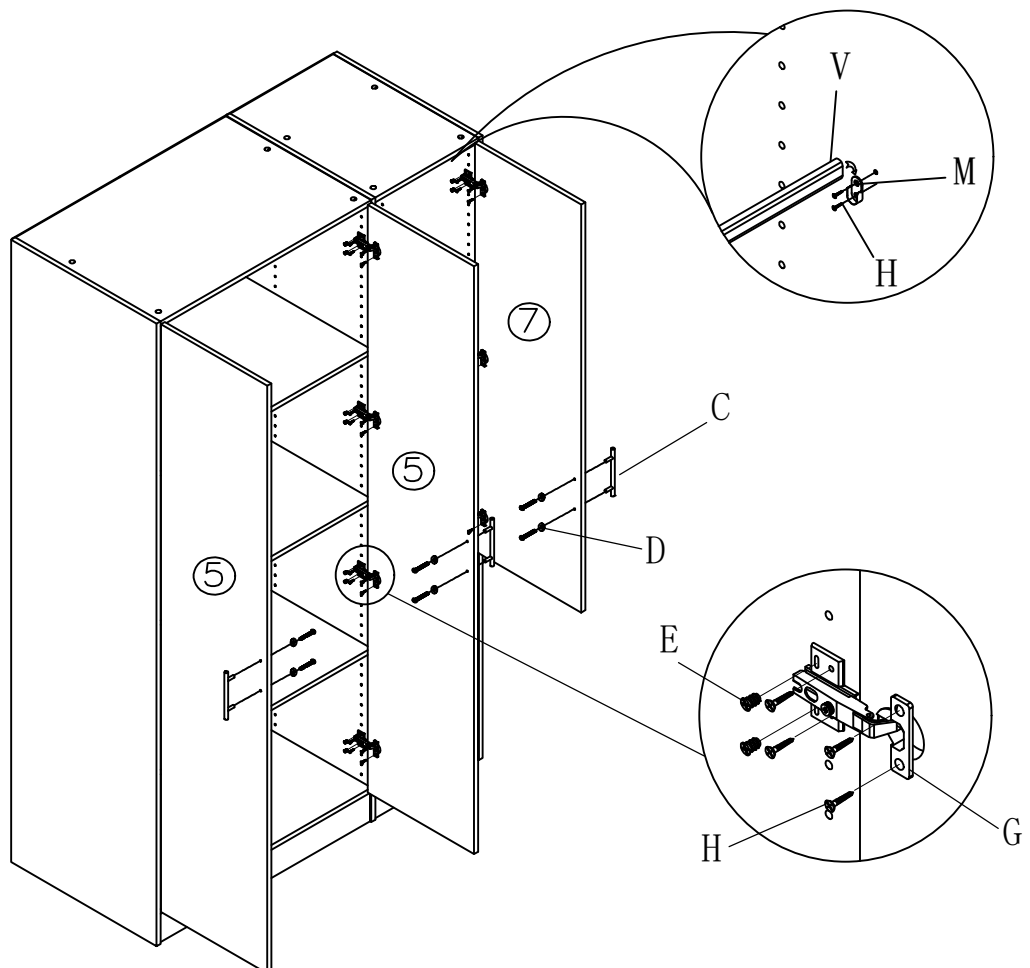
Ex22

Gx11

Hx48

Mx2

Vx1



STEP 7

Ax12

Bx12

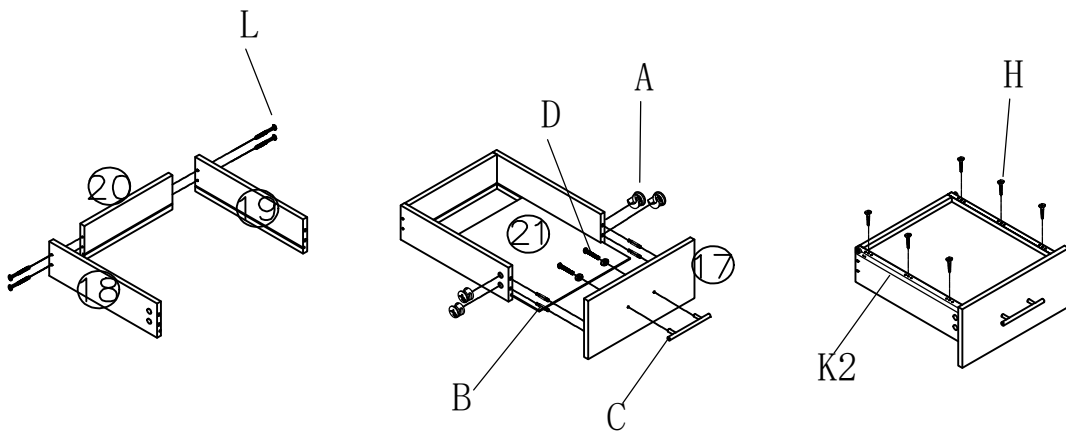
Cx3

Dx6

Hx18

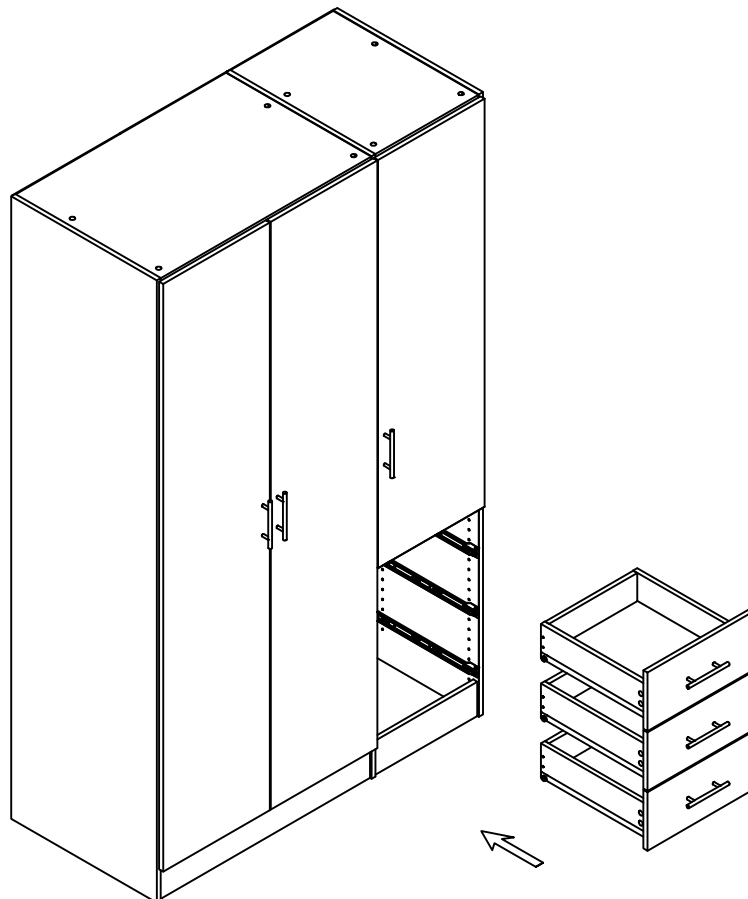
K2x6

Lx12



X3

STEP 8



STEP 9

