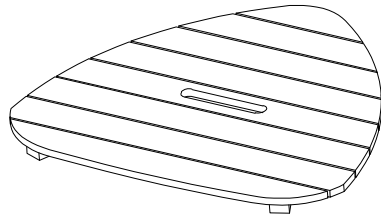
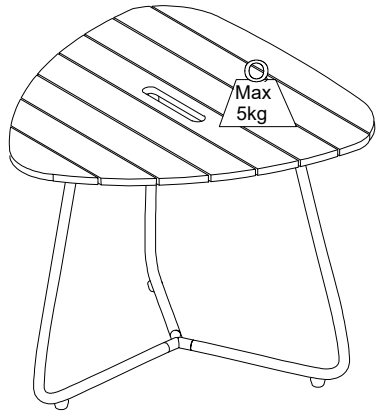
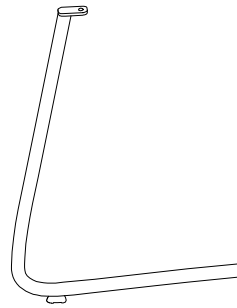


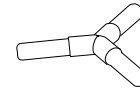
# ASSEMBLY INSTRUCTIONS



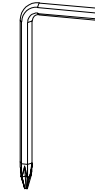
A = 1 pc



B = 3 pcs

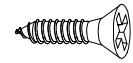


C = 1 pc



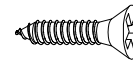
D = 1 pc

3.5x12 mm



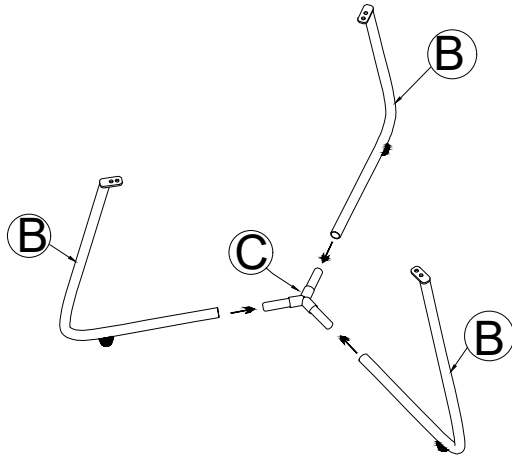
E = 3 pcs

3.5x15 mm

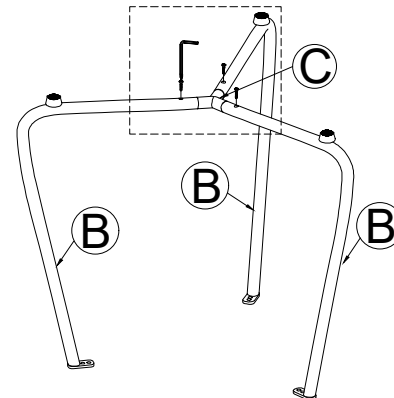
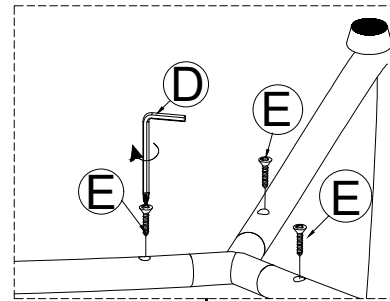


F = 6 pcs

1



2



3

