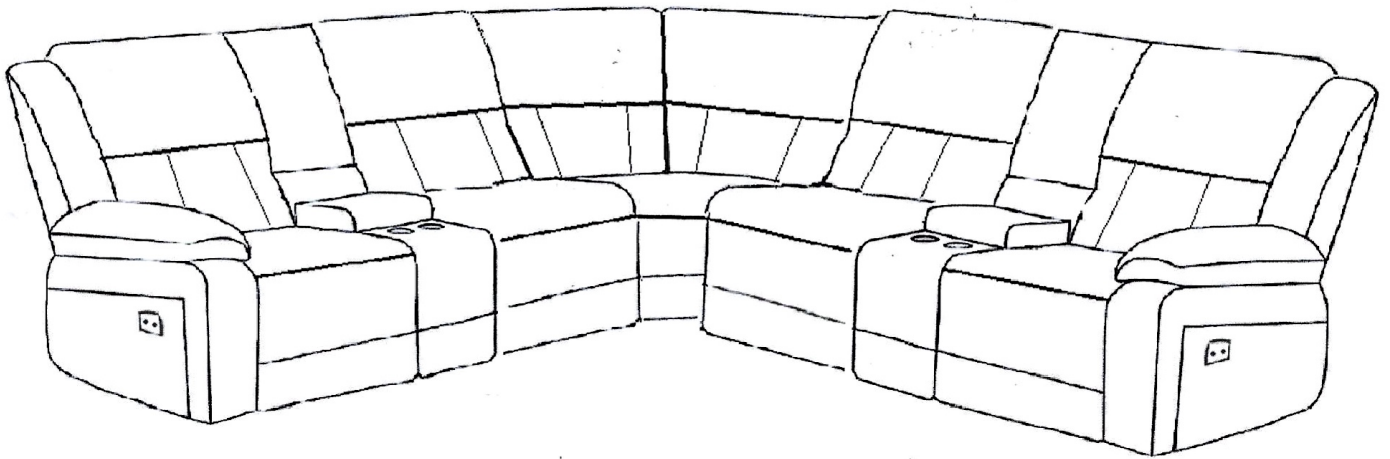
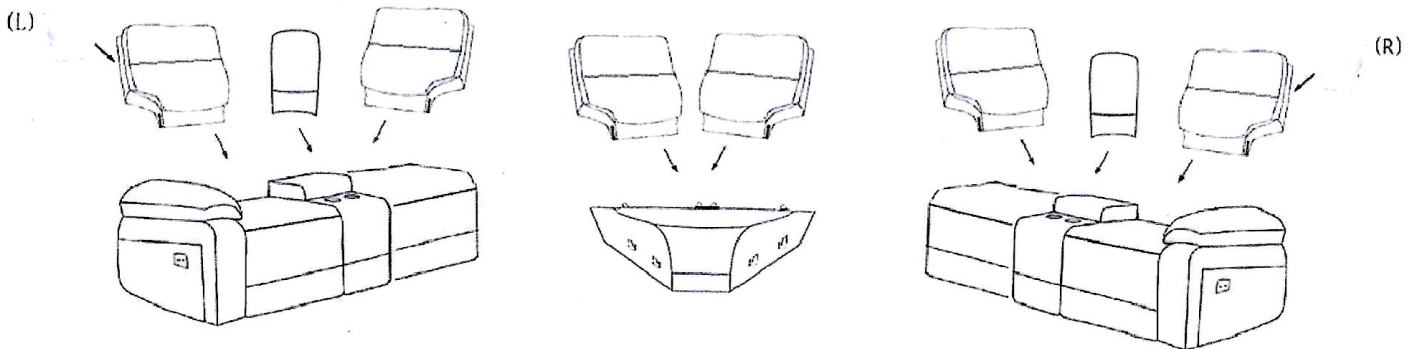


Perth RECLINER SOFA ASSEMBLY INSTRUCTIONS

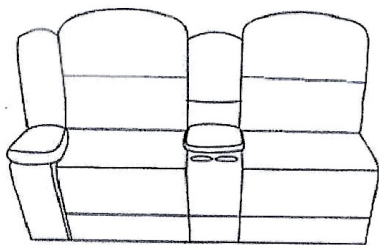


ARTHUR (POWER) RECLINING SOFA PART LIST:

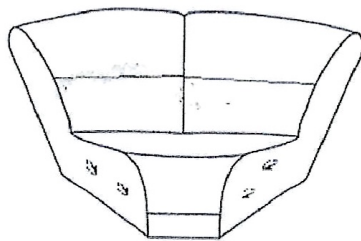


STEP:

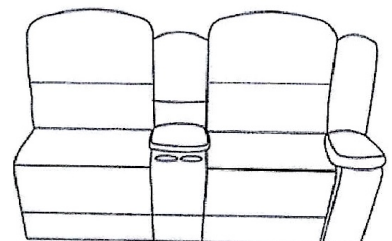
MATCH BOTH SIDE HOOK-LOOP BRACKET AND PUSH DOWN
BACKREST TO ASSEMBLY



1



2



3

CARE & MAINTENANCE

- 1) NO POWER TOOLS SHALL BE USED FOR ASSEMBLY OF THE CHATR
- 2) CHECK AND ENSURE BACKREST FIRMLY IN PLACE