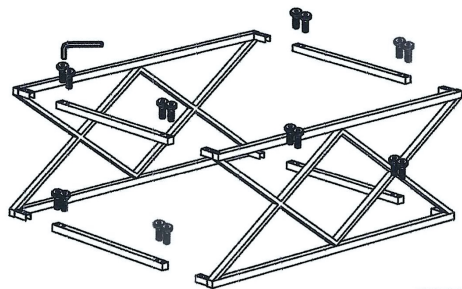



Assembly drawing

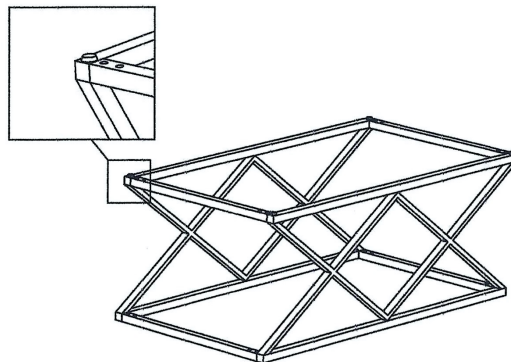
1




 X16

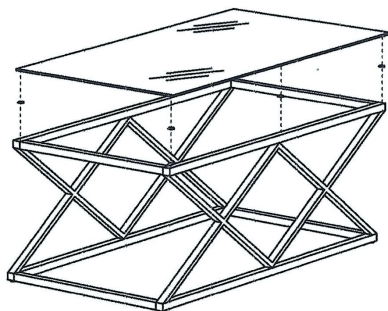
 X1

2



 X4

3



 X6

4

