





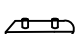



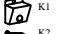





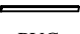
ASSEMBLY INSTRUCTIONS

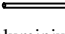
MODEL NO : 860-007

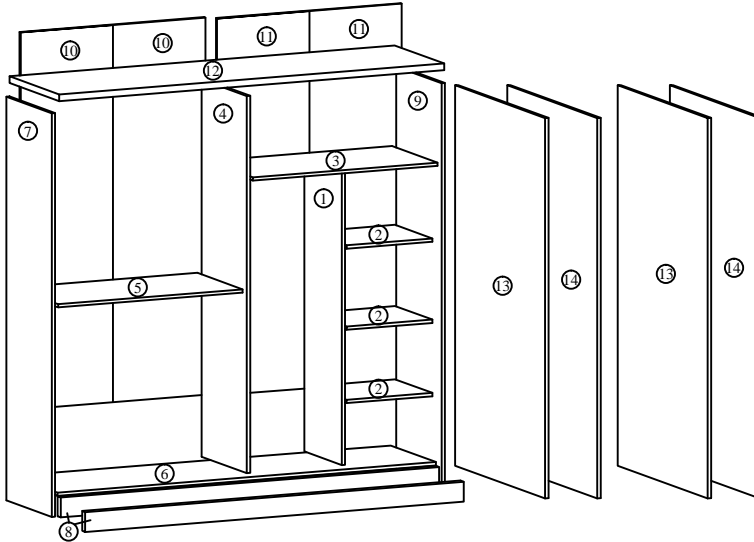
(Wardrobe System 4-Door Main Cabinet*Oak)

Before you begin, please follow Assembly Instruction carefully.
Please follow them step by step.

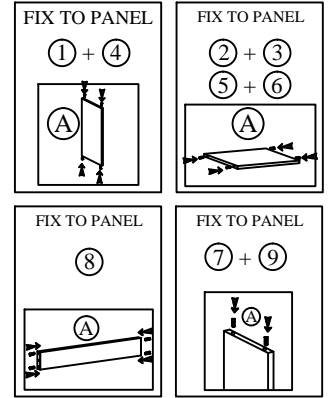
A)  plastic dowel 44 pcs	B)  jcbc m6x40mm 20 pcs	C)  jcbc m4x50mm 18 pcs	D)  m4 x 5/8" 94 pcs	E)  L key 1 pc	F)  'U' holder 6 pcs	G)  stopper 2 pcs	H)  L bracket 2 pcs	I)  leg stud 6 pcs	J)  handle 2 sets	K)  stud 12 sets	L)  hinge 4/8" 9 pcs	M)  hinge 7/8" 3 pcs
---	---	---	--	--	--	---	---	--	---	--	--	--

N)  L bracket 2 sets	O)  PVC H-Profile 2 pcs
---	---

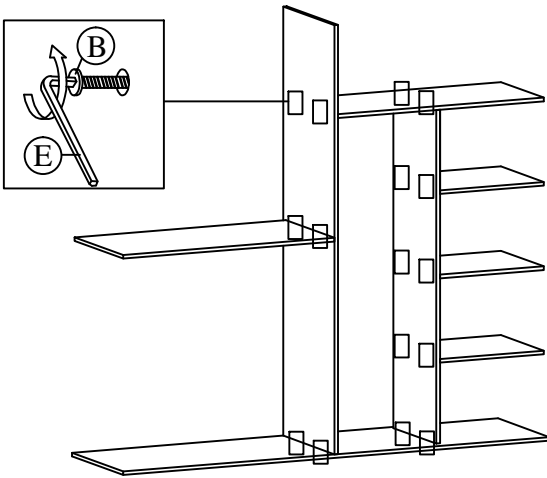
P)  aluminium pipe 3 pcs



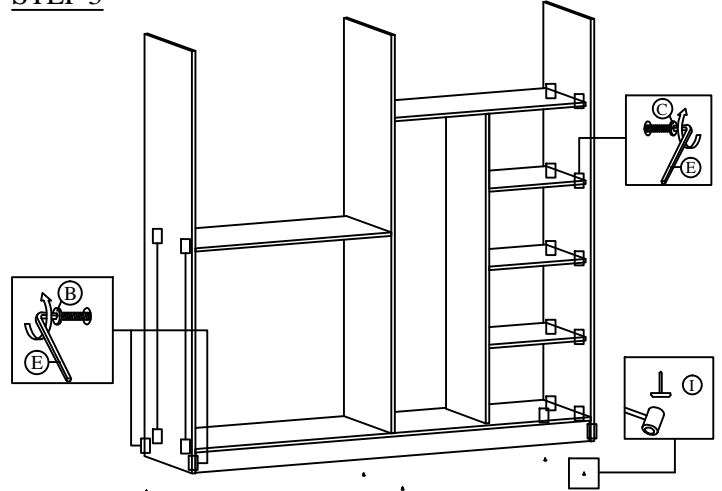
STEP 1



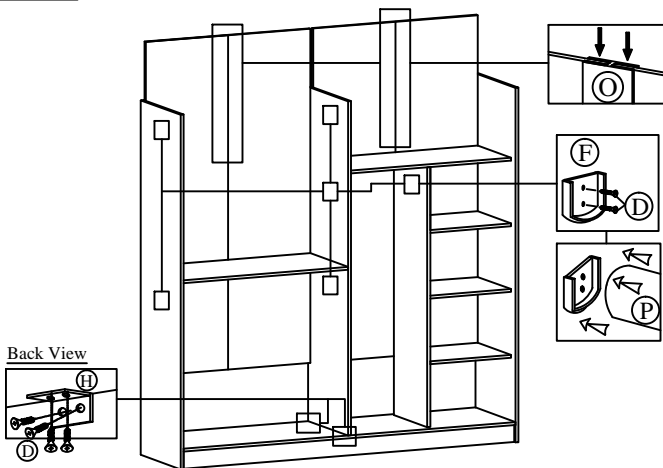
STEP 2



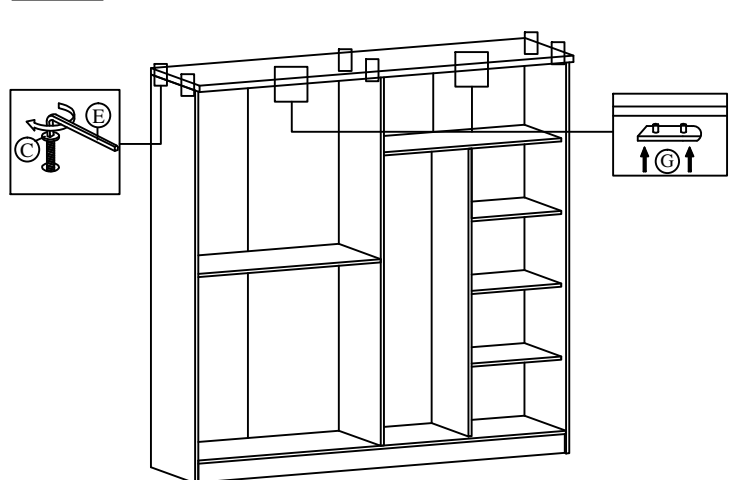
STEP 3



STEP 4



STEP 5



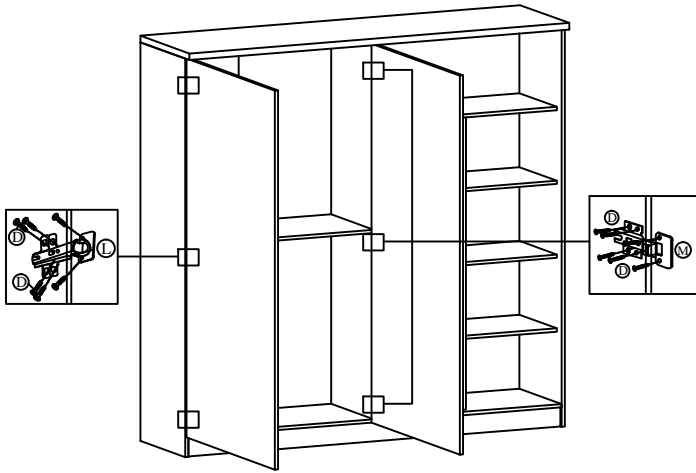
ASSEMBLY INSTRUCTIONS

MODEL NO : 860-007

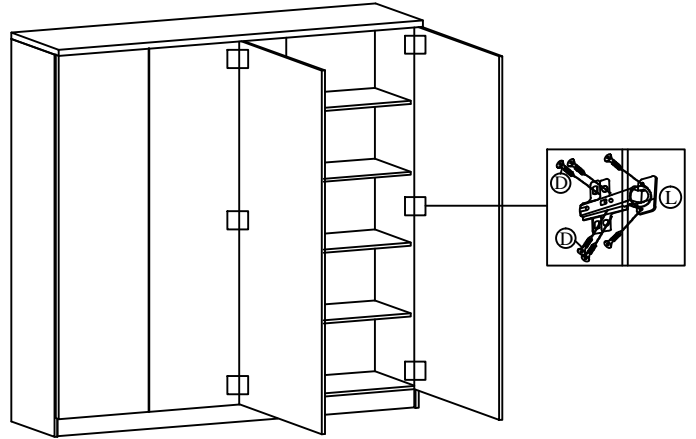
(Wardrobe System 4-Door Main Cabinet*Oak)

Before you begin, please follow Assembly Instruction carefully.
Please follow them step by step.

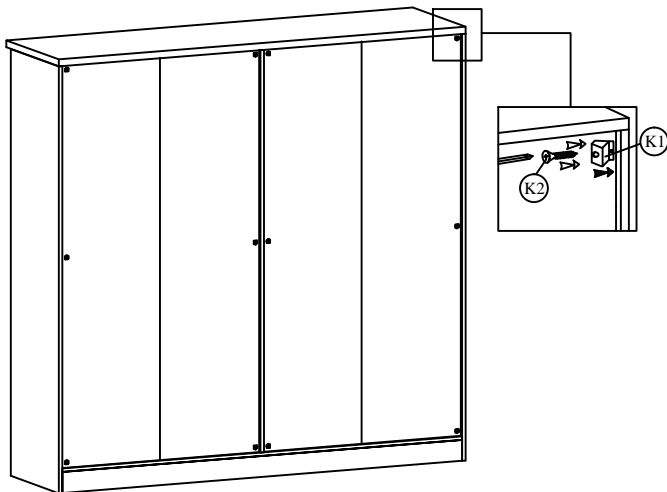
STEP 6



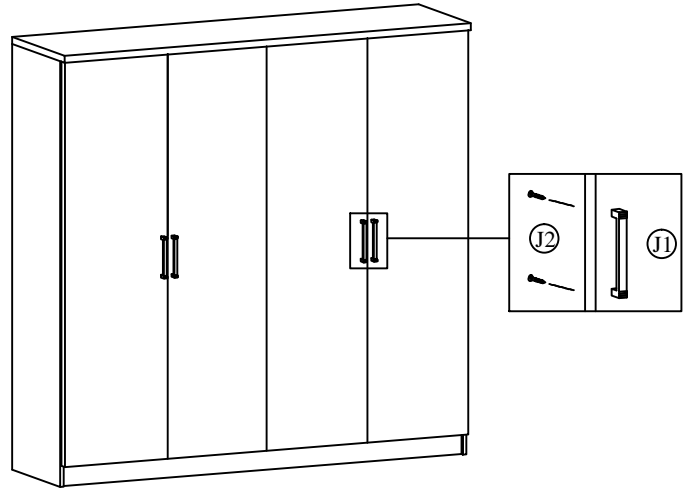
STEP 7



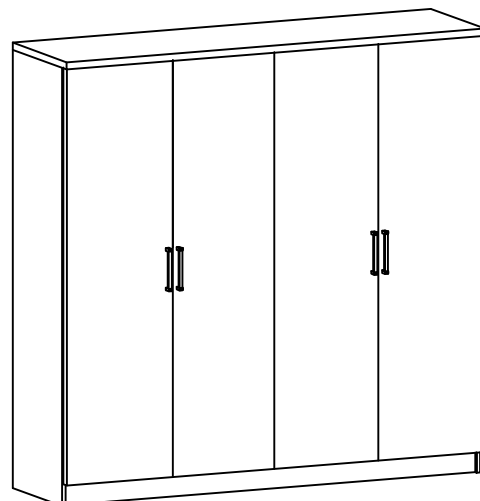
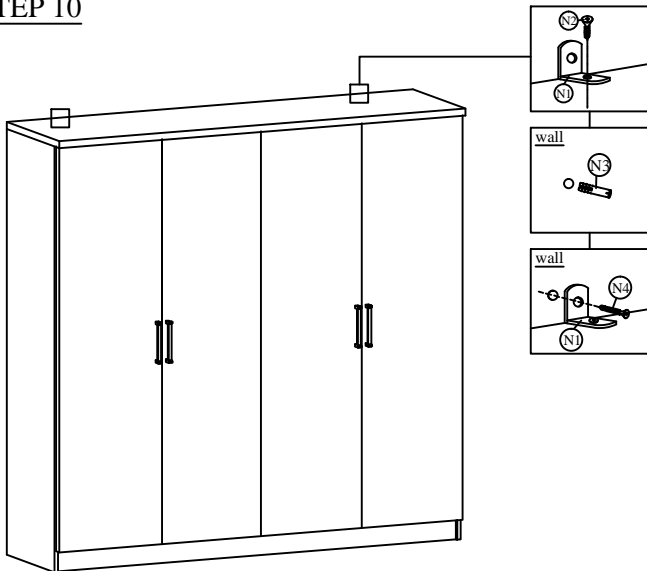
STEP 8



STEP 9



STEP 10



Complete