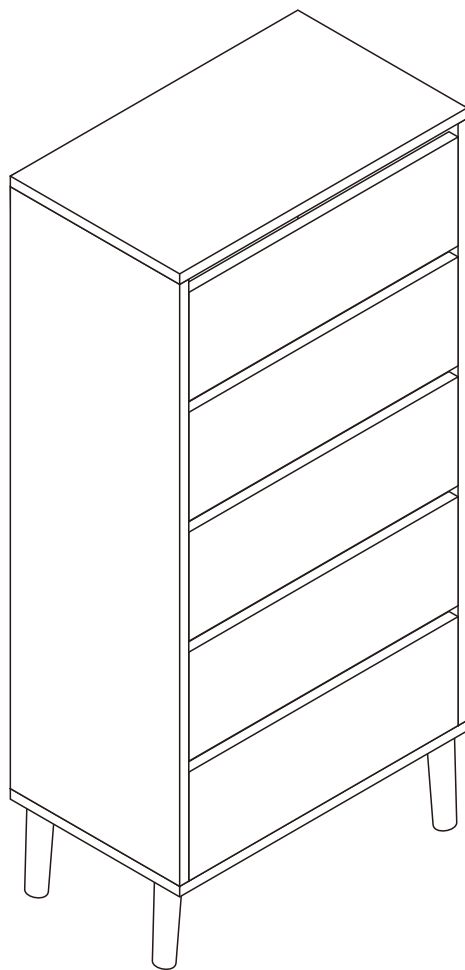


SKU.NO.	153.238.01	USSURI OAK
PRODUCT NAME	RENO TALLBOY WHITE	



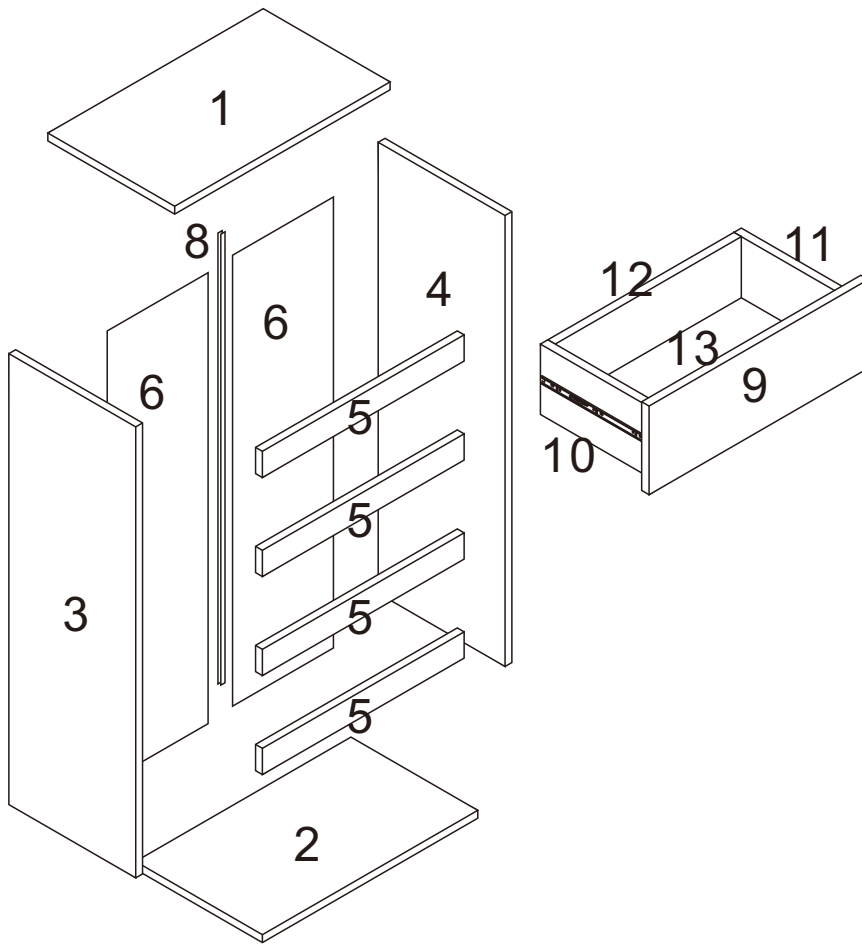
FAITES UN GESTE ECOCITOYEN
EN TRIANT VOS EMBALLAGES CARTON

A LA FIN DE VIE DE VOTRE PRODUIT, VOUS
POUVEZ LE DONNER À UNE STRUCTURE DE
REEMPLOI SI IL EST EN BON ÉTAT, SINON LE
DEPOSER À LA DECHETERIE PROCHE DE
VOTRE DOMICILE

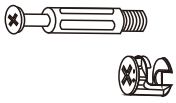



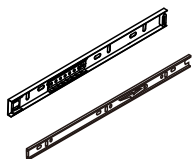

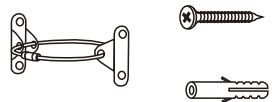
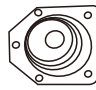



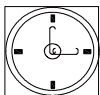
EN

1. Identify the parts which make up your piece of furniture.
 2. Gather the hardware parts and count them.
 3. Have the necessary assembly tools ready.
 4. Organize a space for assembly, wall carpeting or a blanket will protect the furniture against scratches.
 5. Never force the assembling while you put the parts together. You are recommended to tighten the screws after the furniture has been used for some time.
 6. After assembling this product, it is advisable to regularly ventilate the room for a few days.
- KEEP THE ASSEMBLY INSTRUCTION. THE RELEVANT INFORMATION YOU CAN FIND ON IT WILL HELP YOU GET IN TOUCH WITH YOUR STORE IF A PART WAS TO BE MISSING.



NO.	Size	Qty
1	750x40	1
2	750x40	1
3	1131x398	1
4	1131x398	1
5	716x60	4
6	1141x362	2
8	ABS	1
9	710x200	5
10	350x146	5
11	350x146	5
12	659x146	5
13	699x344	5

<p>A</p>  <p>x48</p>	<p>B</p>  <p>x8</p>	<p>C</p>  <p>x58</p>	<p>D</p>  <p>x20</p>	<p>E</p>  <p>x10</p>
<p>F</p>  <p>x26</p>	<p>G</p>  <p>x1</p>		<p>H</p>  <p>x4</p>	<p>J</p>  <p>x4</p>



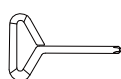
SET-UP TIME: 30 MINUTE



OUTILLAGE:
TOOLS:

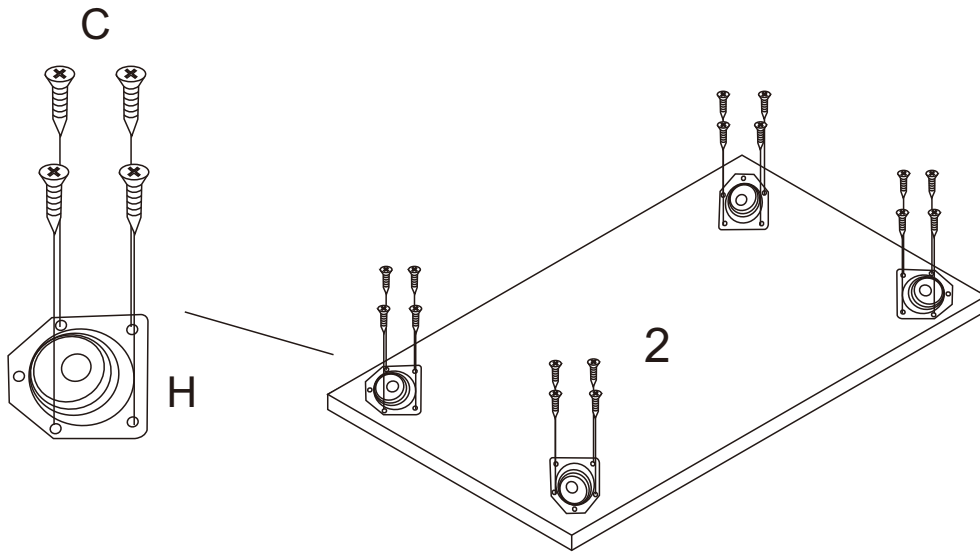


NUMBER OF PERSONS: 02



screw driver or drill

1



C



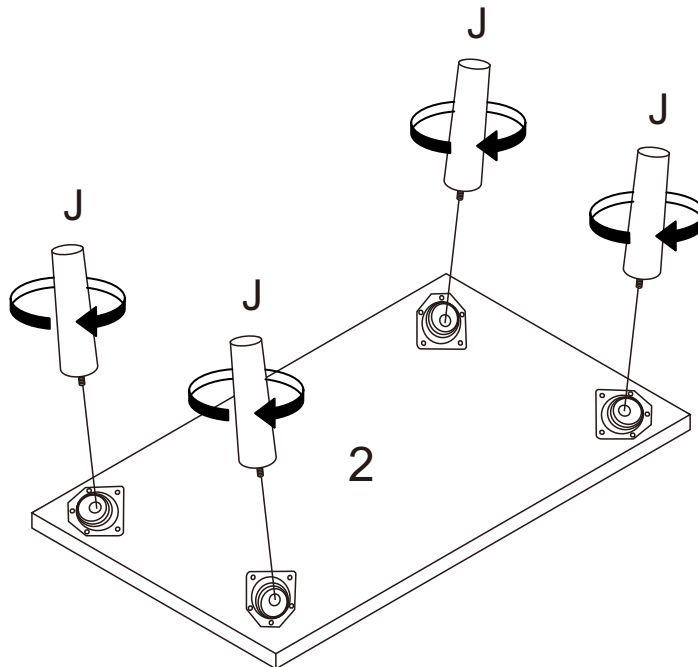
x16

H



x4

2

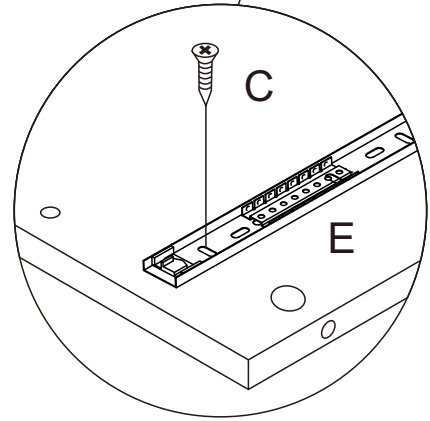
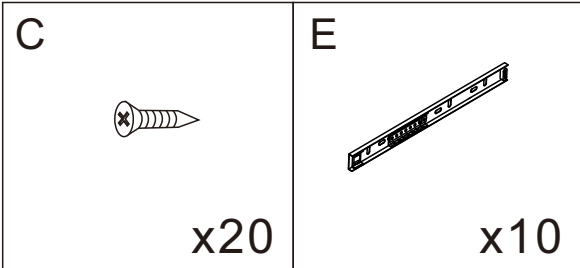
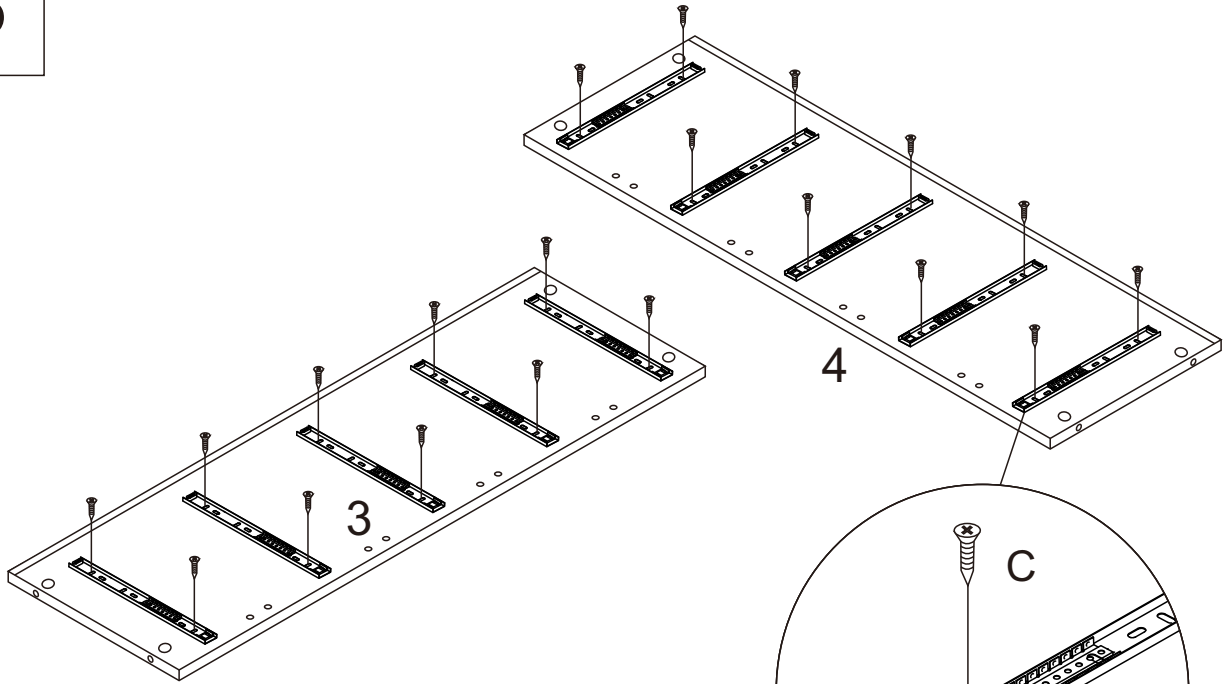


J

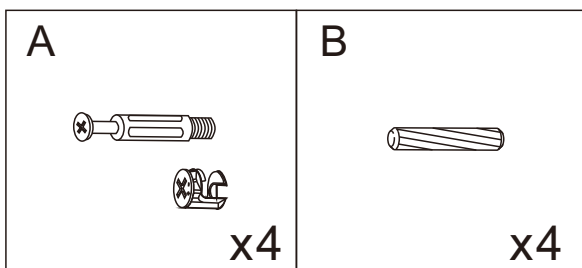
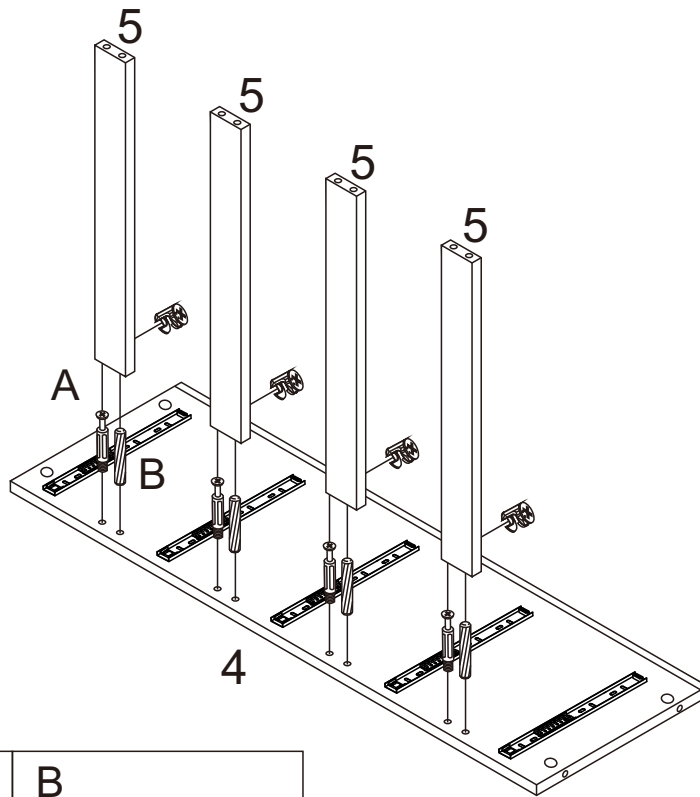


x4

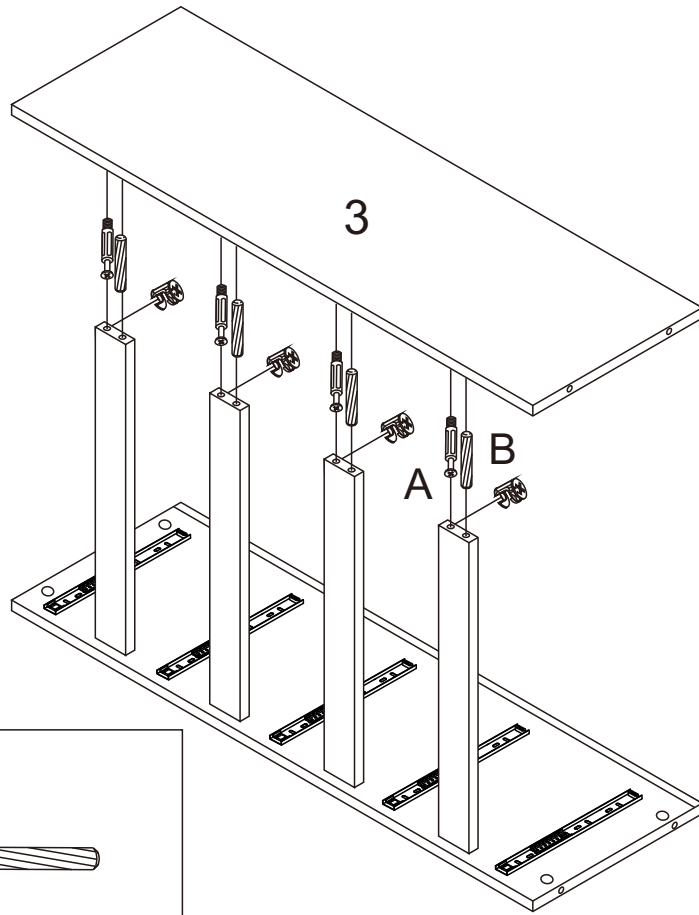
3



4



5



A



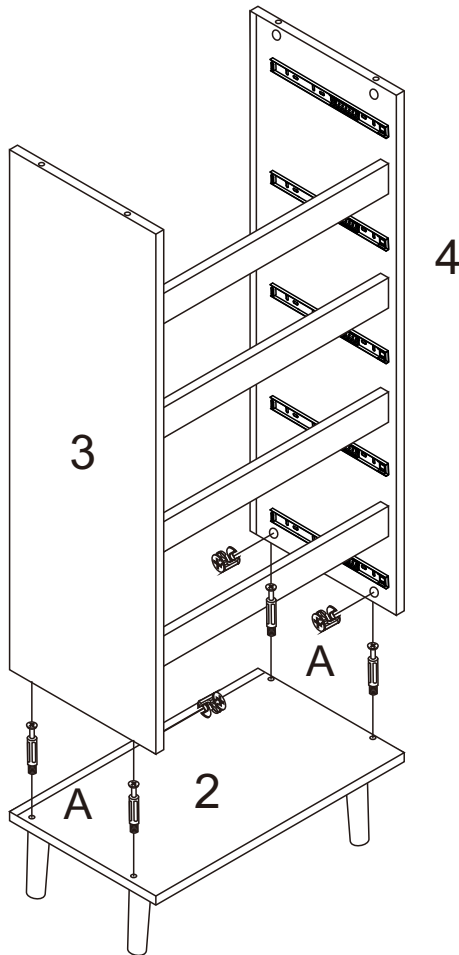
x4

B

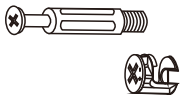


x4

6

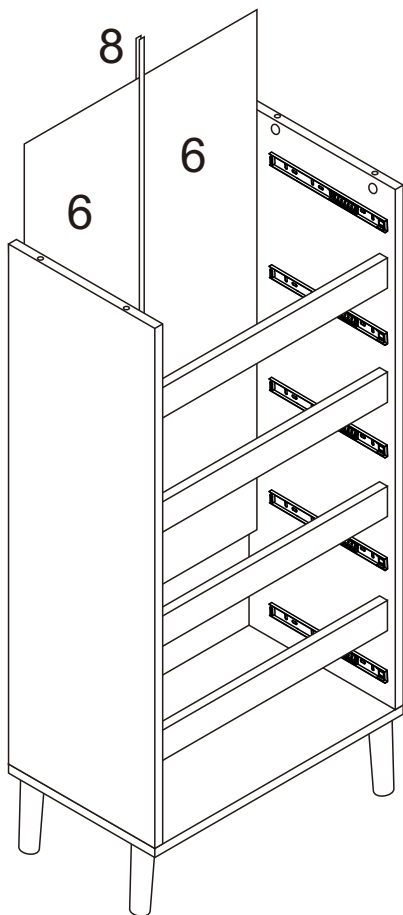


A

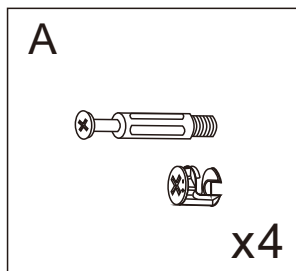
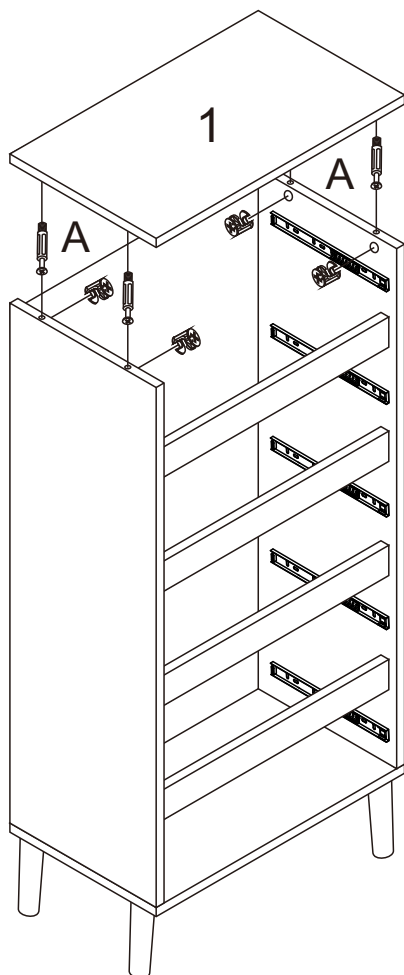


x4

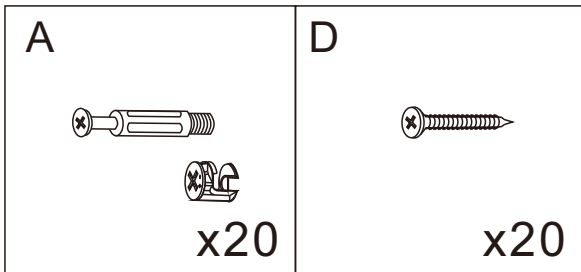
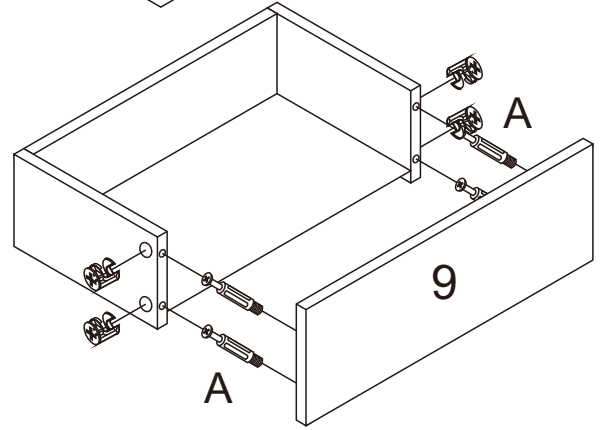
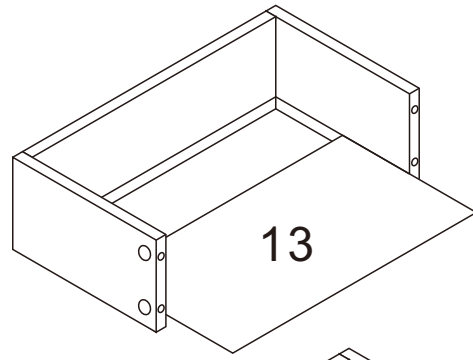
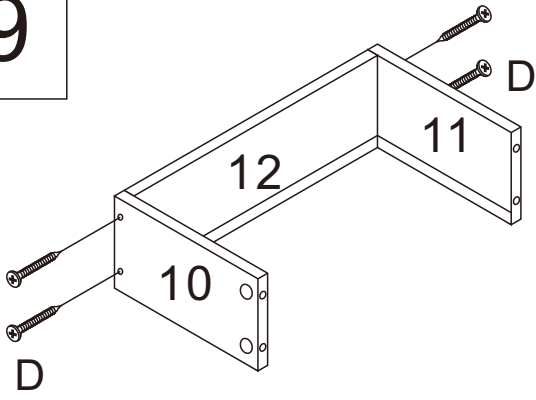
7



8

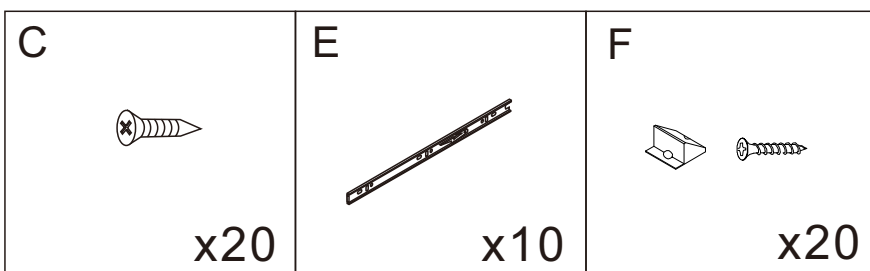
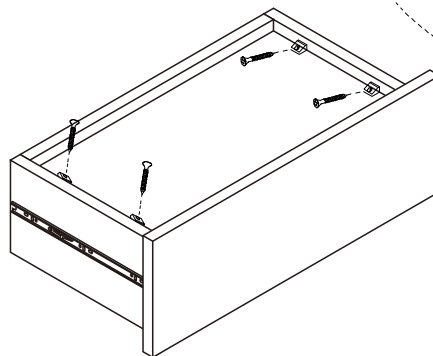
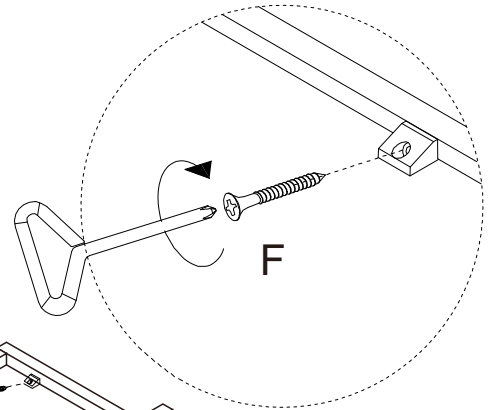
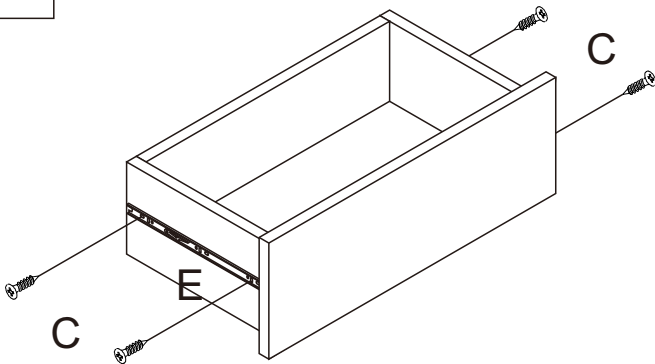


9



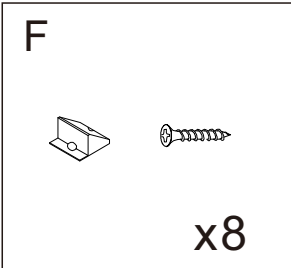
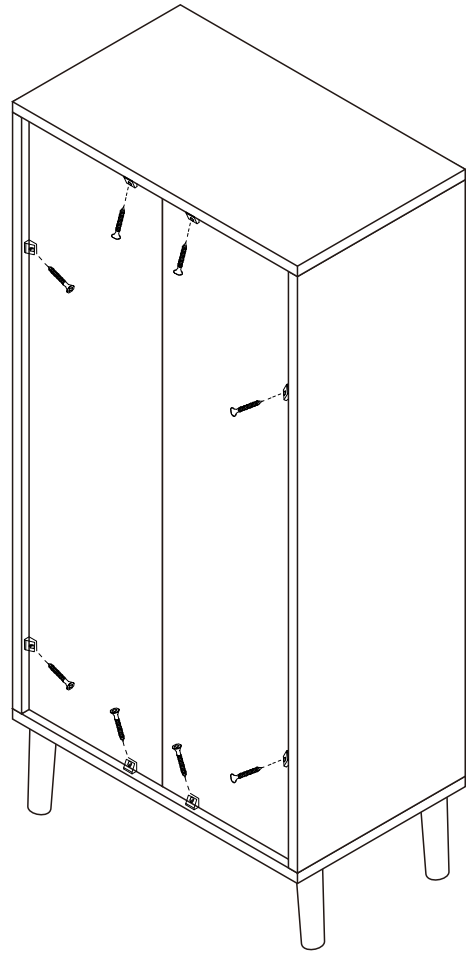
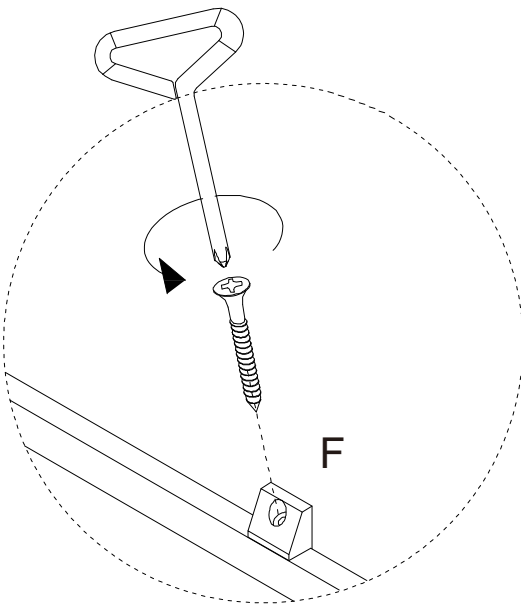
x5

10

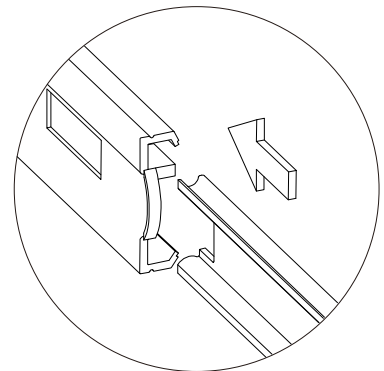
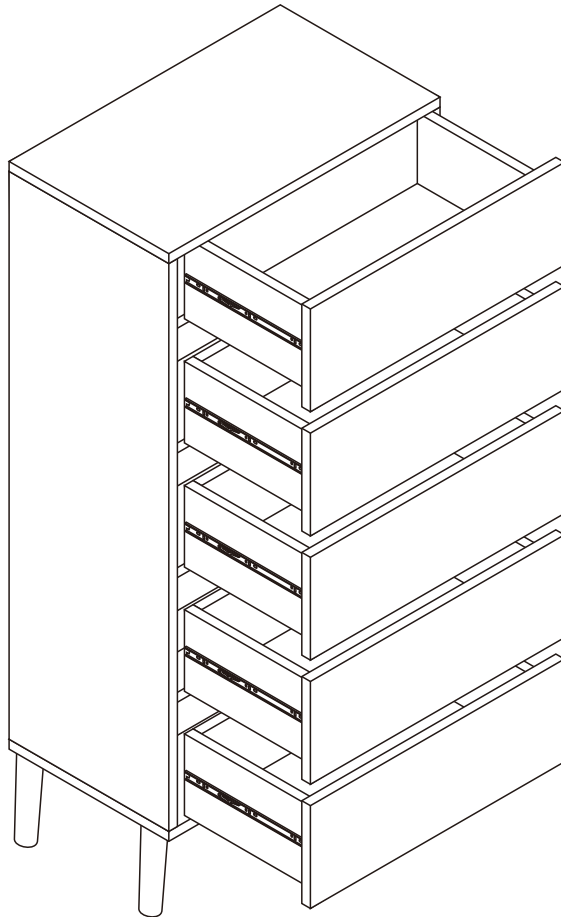


x5

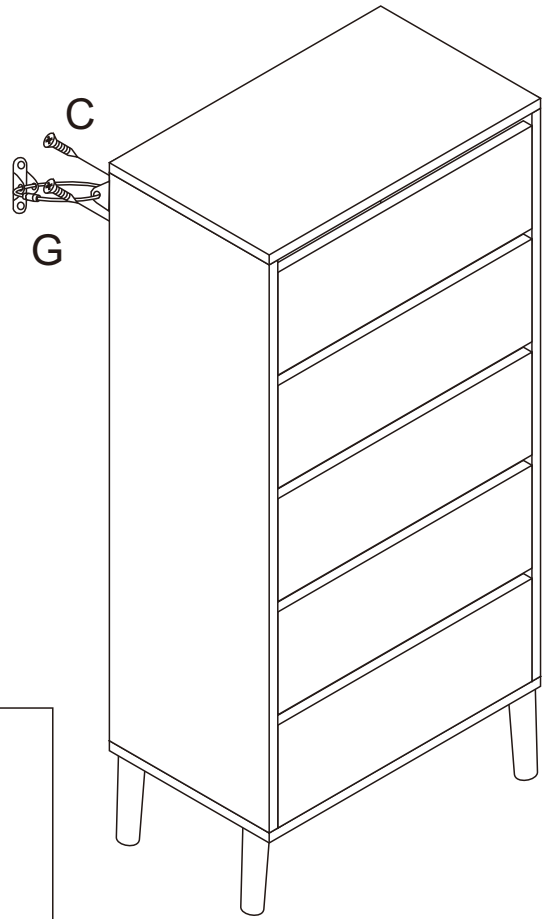
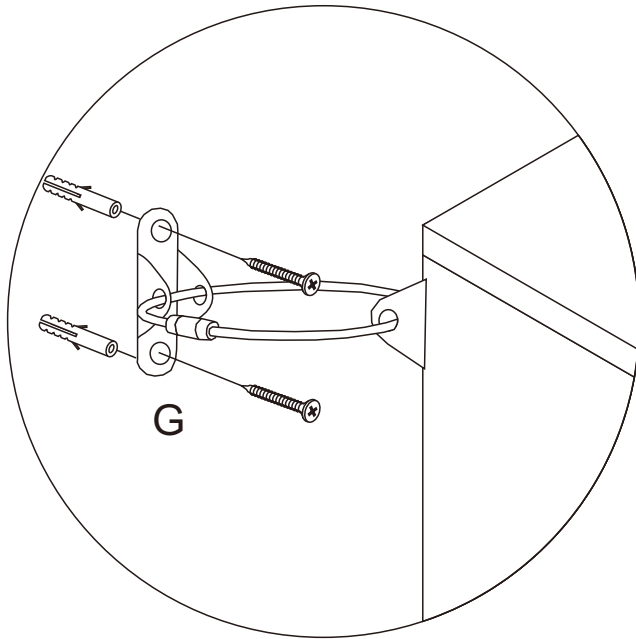
11



12



13



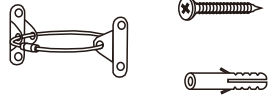
wall stripe need fix on the main frame,
not on the back panel

C



x2

G



x1

14

