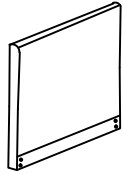


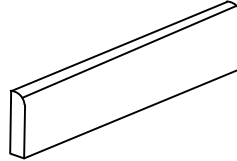
1

PART LIST

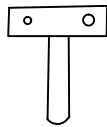
1.Headboard
1pc



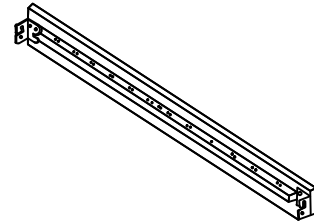
2.Footboard
1pc



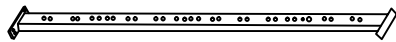
3.Support Leg *4pcs



4.Side Rail*2pcs



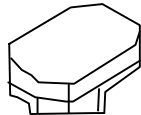
5.Center Support Bar
2pcs



6.Slats*39pc



7.Double Plastic Cap
26pcs



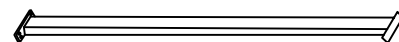
8.Single Plastic Cap
26pcs



9.Leg*4pcs



10.Center Support Bar
1pc



HARDWARE LIST

(A) Bolt M8*30mm*20pcs

(B) Bolt M8*35mm*8pcs



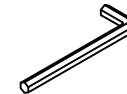
(C) Nut M8*8pcs

(D) Spring Washer*8pcs

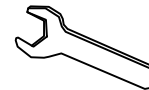


(E) Flat Washer *16pcs

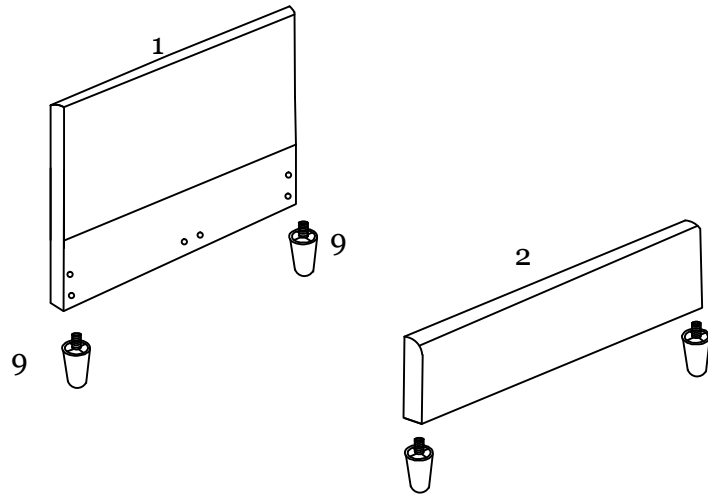
(F) Allen Key M5*1pcs



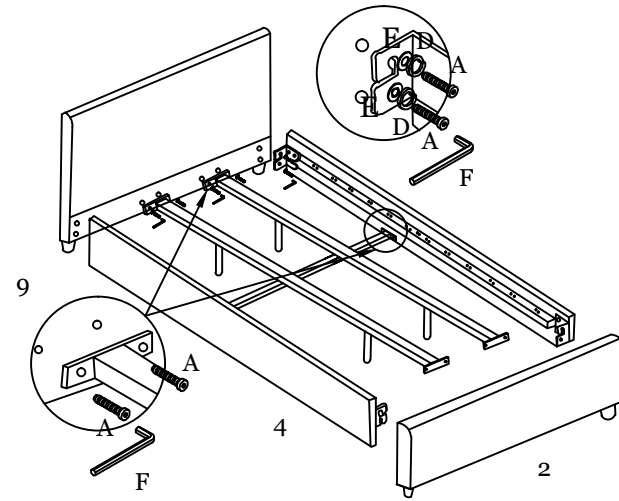
(G) Spanner *1pcs



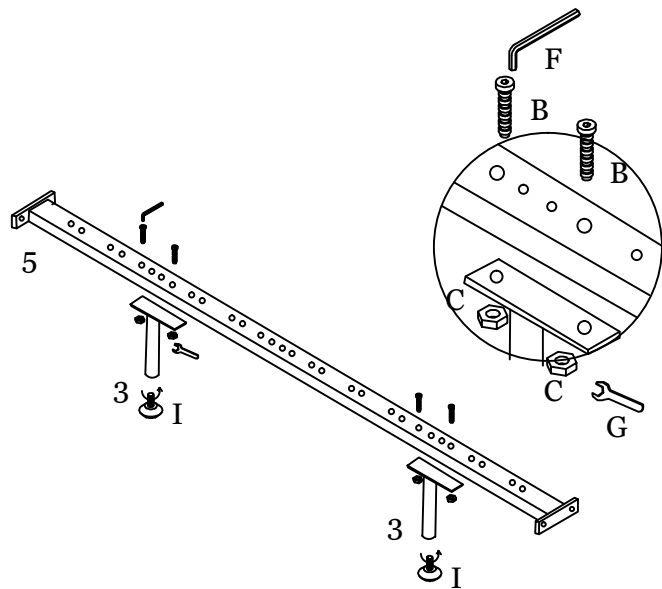
STEP 1 FIXING LEGS TO HEADBOARD AND FOOTBOARD



STEP 3 FIXING SIDE RAILS AND CENTRE SUPPORT BAR TO HEADBOARD AND FOOTBOARD



STEP 2 FIXING SUPPORT LEGS TO CENTRE SUPPORT BAR



STEP 4 FIXING PLASTIC CAPS AND SLATS

