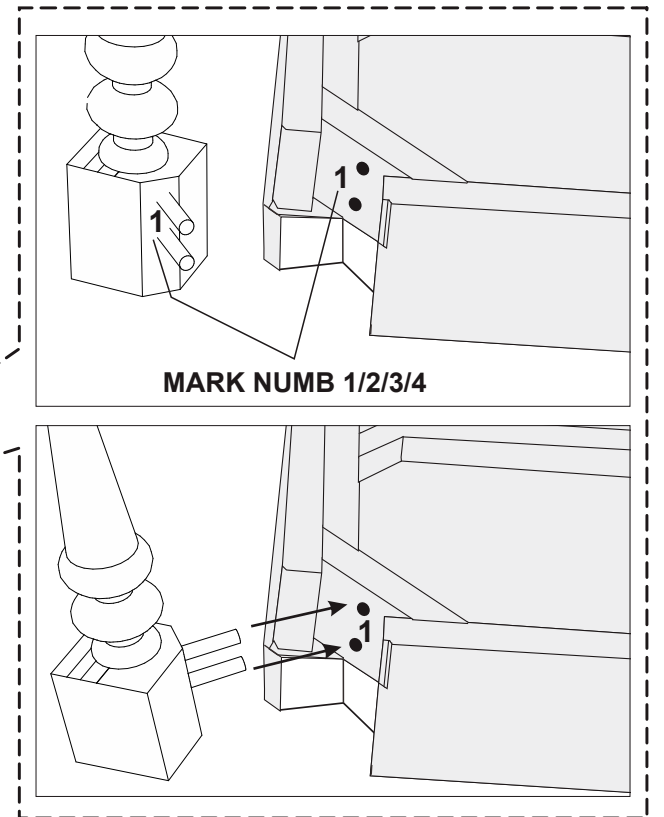
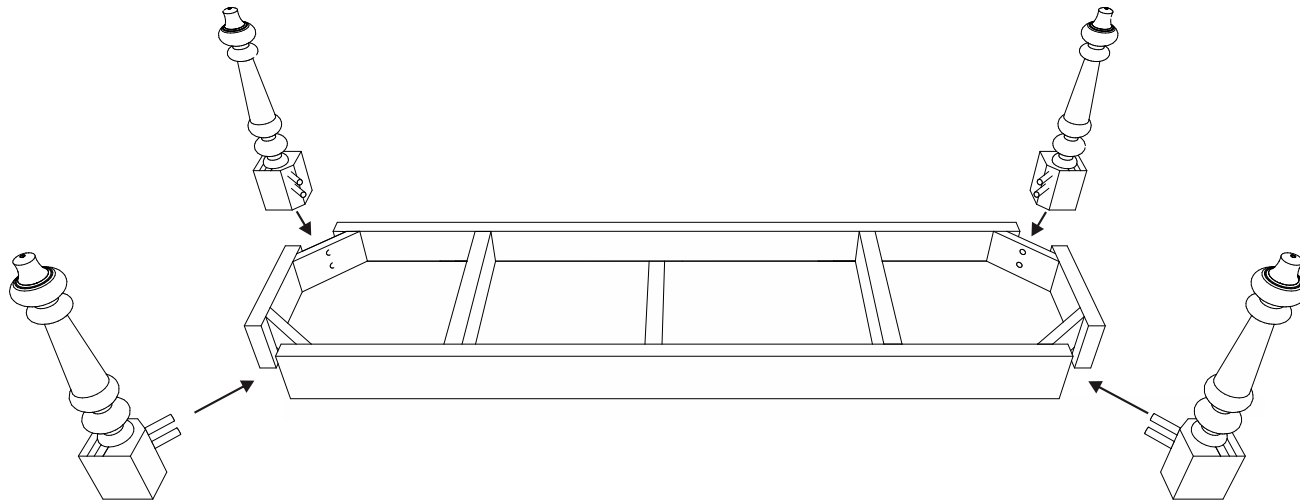


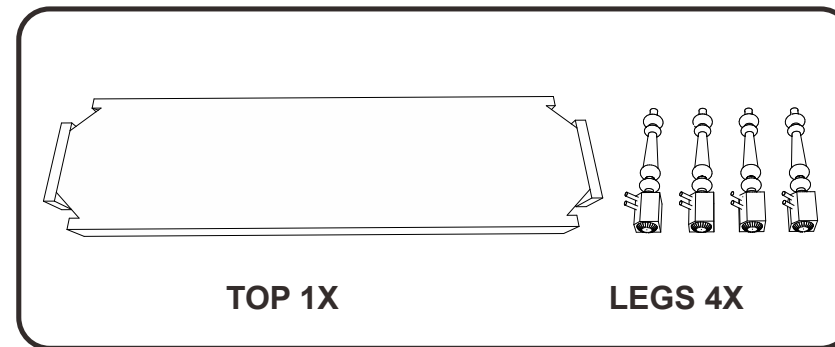
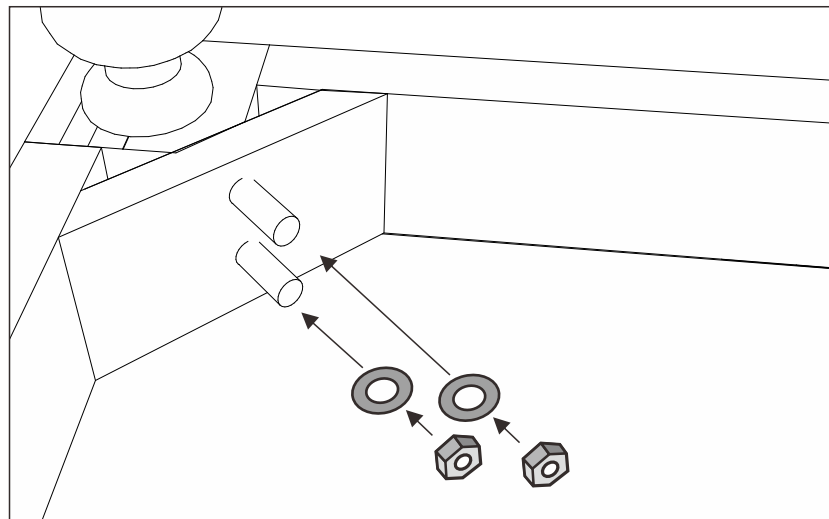
Assembly Instruction

Name: Nevada Bench KD

1. Put the legs into place (with the same mark number)



2. Instal ring and nut then tighten with a 14mm key tool



RING (M10)	NUT HEX (UNC 3/8")
8 PCS	8 PCS