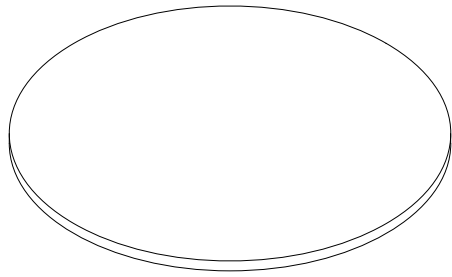
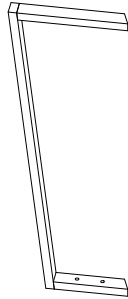


ASSEMBLY INSTRUCTION



Ax1



Bx2



Cx2



① x14



② x8

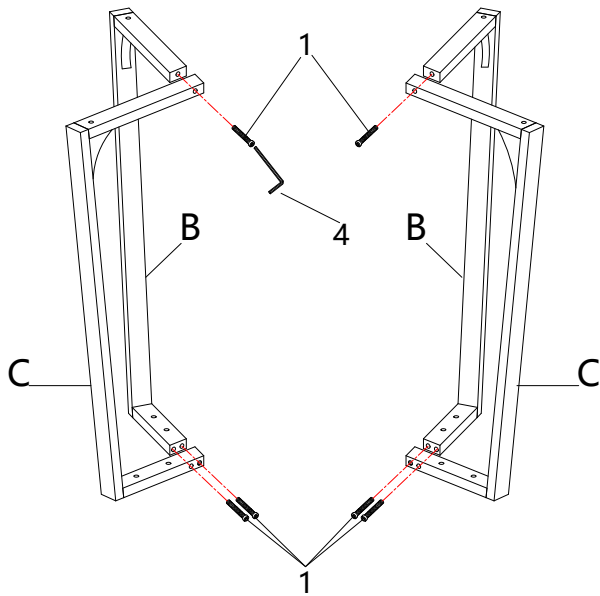


③ x4



④ x1

Step 1



Step 2

