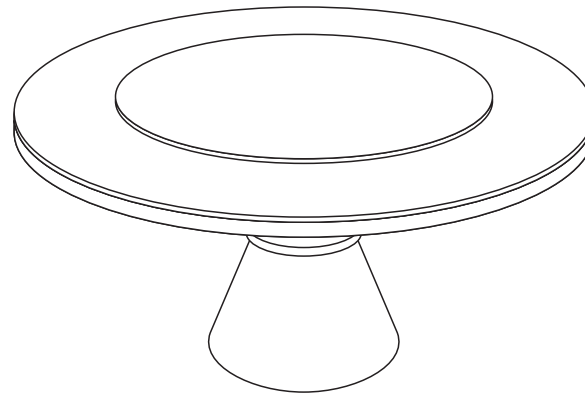
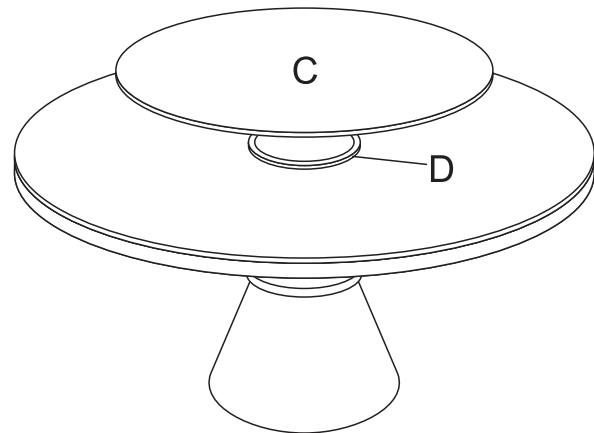
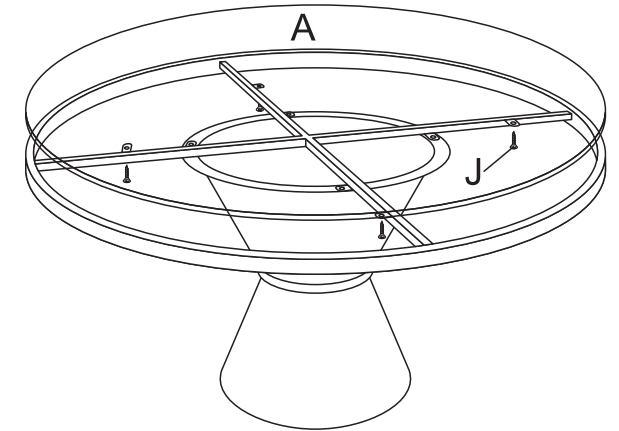
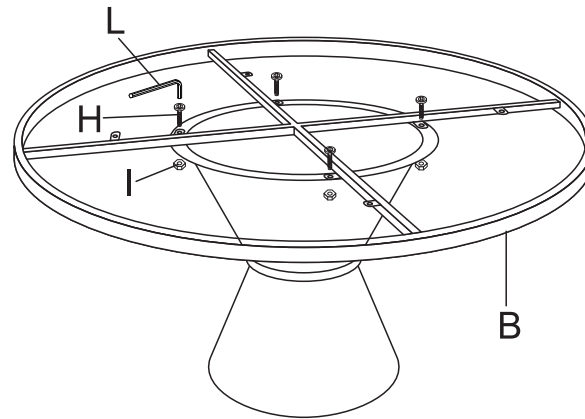
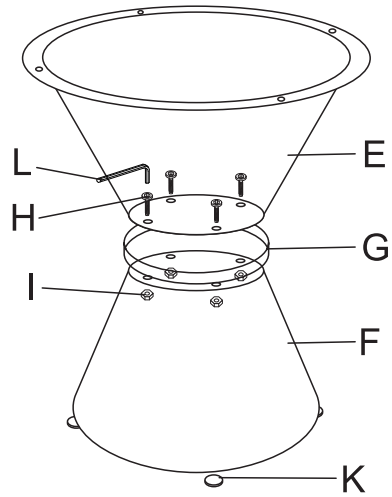


# ASSEMBLING INSTRUCTION



A	x1	B	x1	C	x1
D	x1	E	x1	F	x1
G	x1	H	x8	I	x8
J	x4	K	x4	L	x1