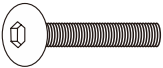
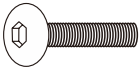
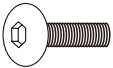
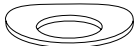



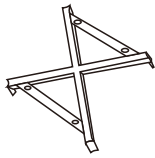
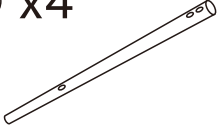
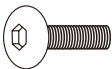
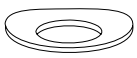
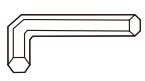
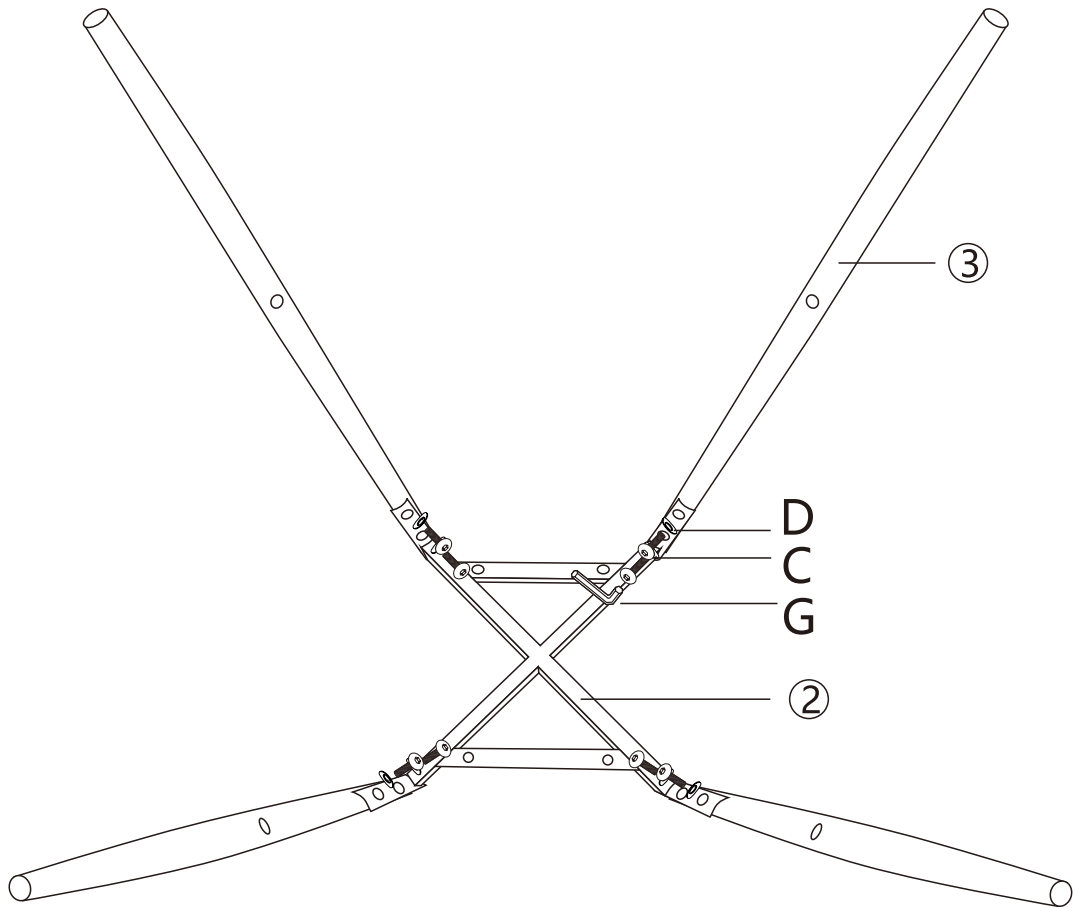


A x4  M6*30	B x4  M6*25	C x8  M6*18	D x8 
E x4 	F x2  Supporting gasket	G x1 	

1

② x1	③ x4	
		
C x8  M6*18	D x8 	G x1 

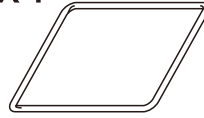


2

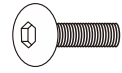
Gx1



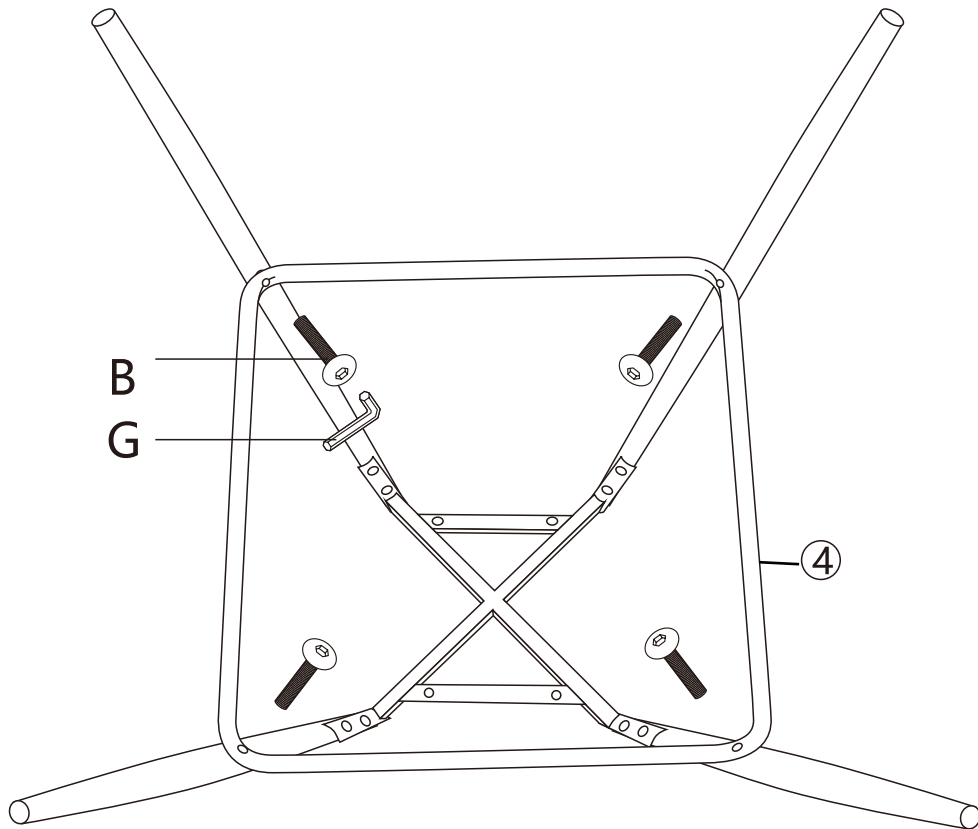
④ x1








B x4

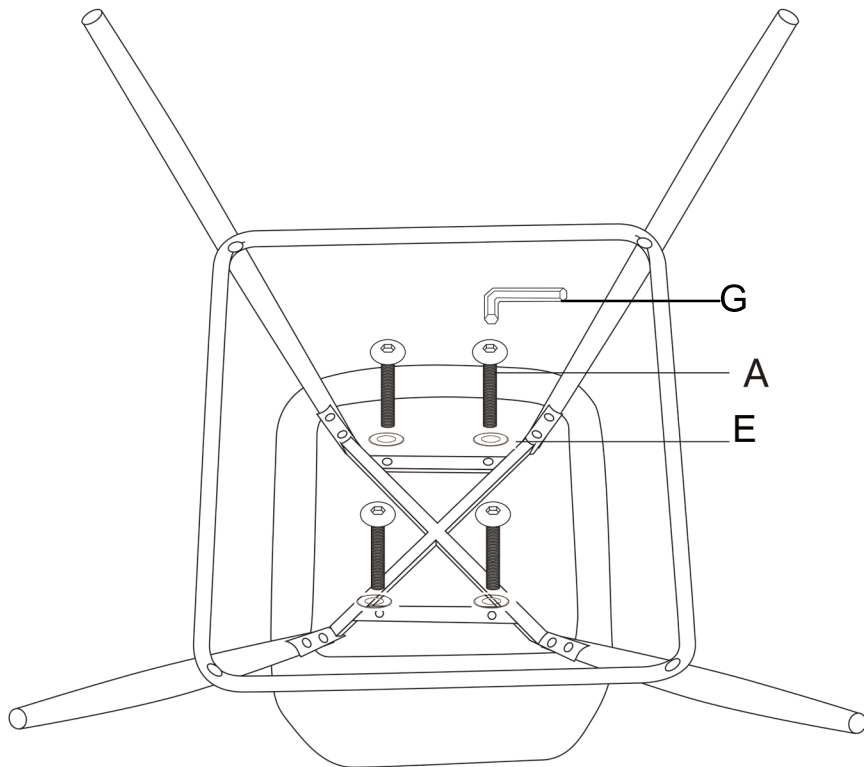
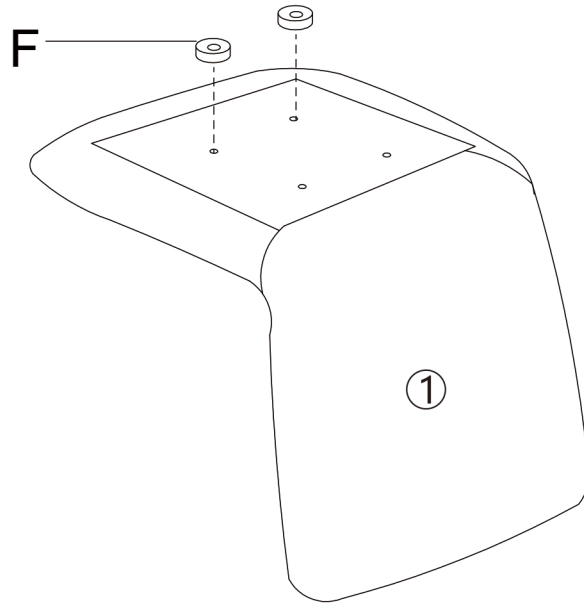


M6*25



3

	① x1 	A x4  M6*30
E x4 	F x2  Supporting gasket	Gx1 



4

