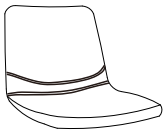
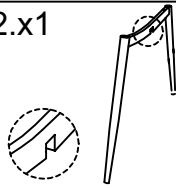


# ASSEMBLING INSTRUCTION

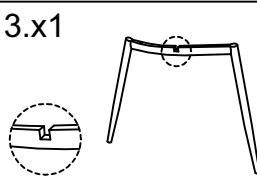
1.x1



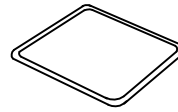
2.x1



3.x1



4.x1



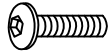
5.x1



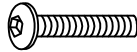
A.x4



B.x4



C.x4



D.x4

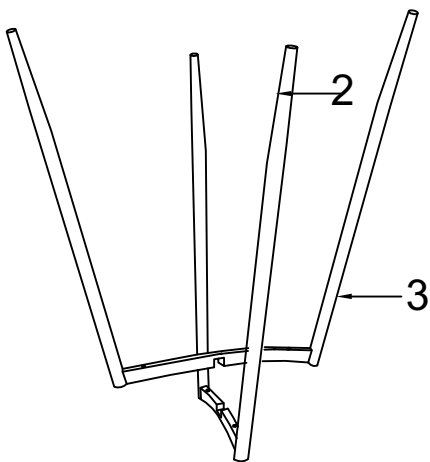


E.x1

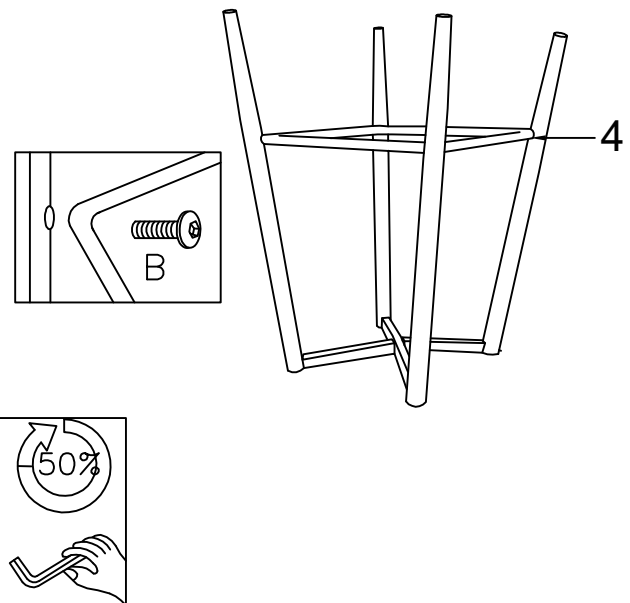


M5

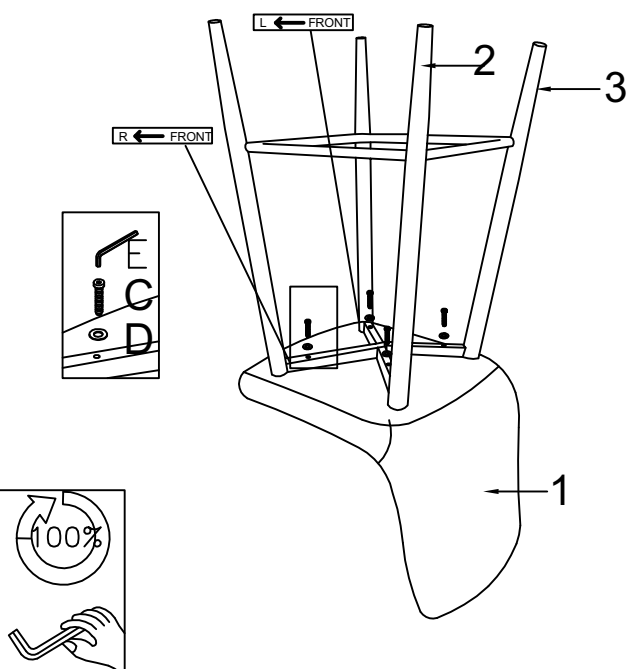
Step1



Step2



Step3



Step4

