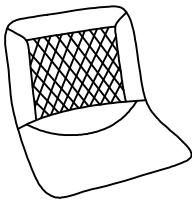
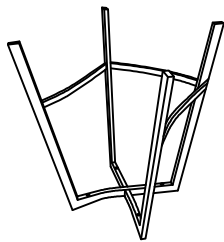


ASSEMBLING INSTRUCTION

1.x1



2.x1



A.x4



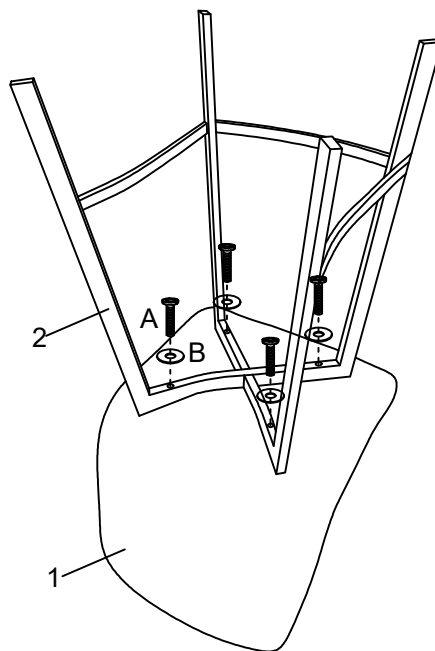
B.x4



C.x1



①



②

