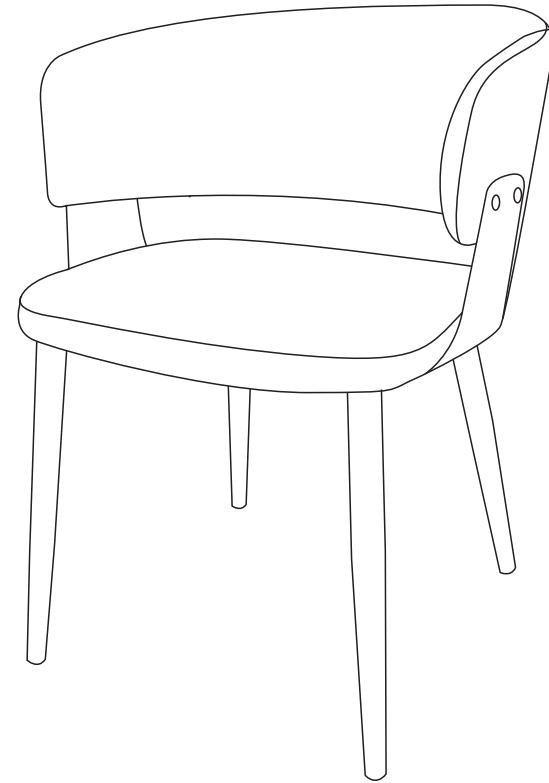
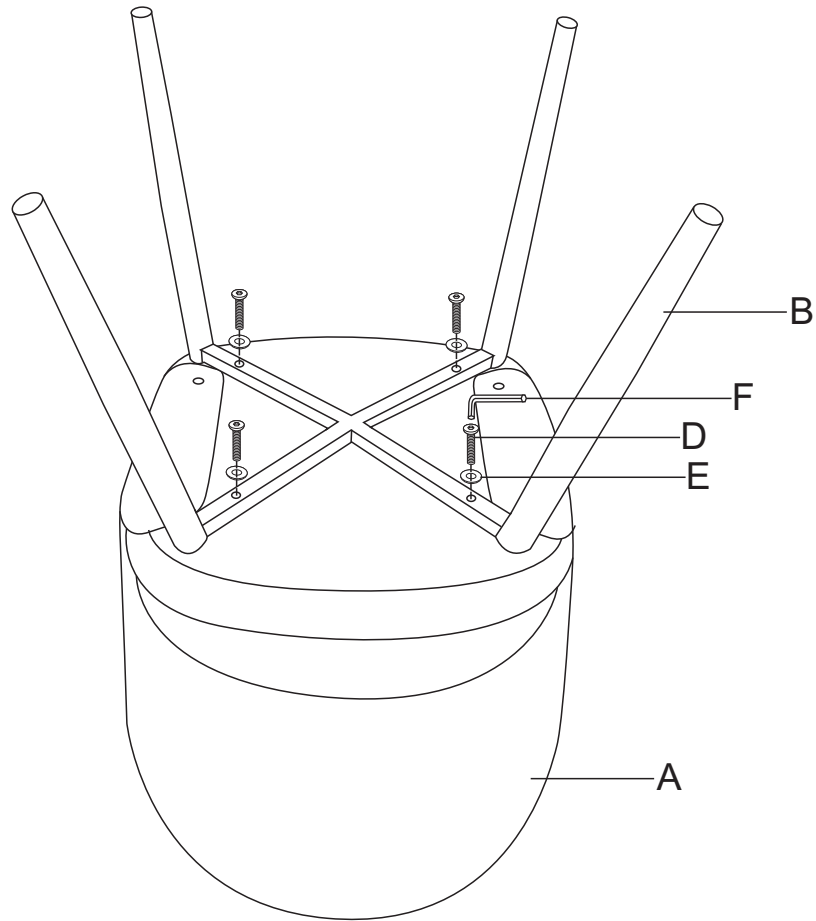
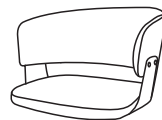


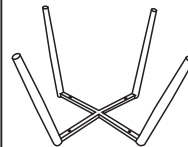
# ASSEMBLY INSTRUCTION



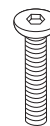
Ax1



Bx1



Dx4



M6x40mm

Ex4



Fx1



M5