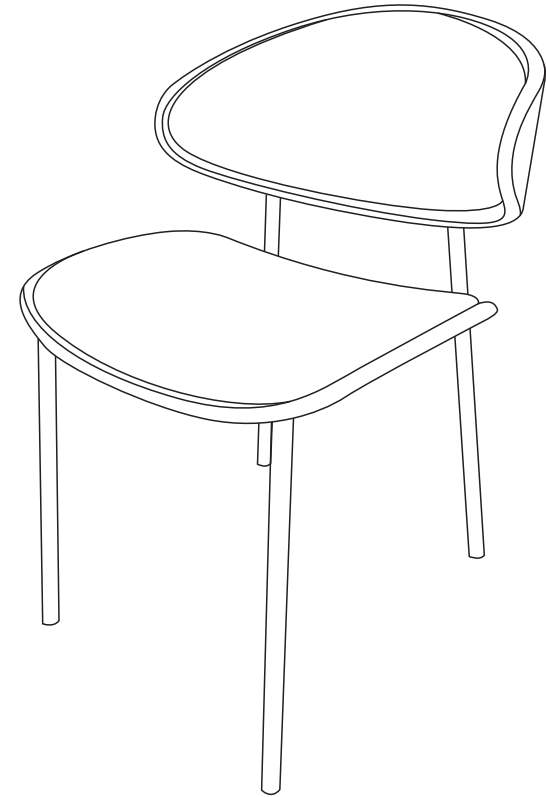
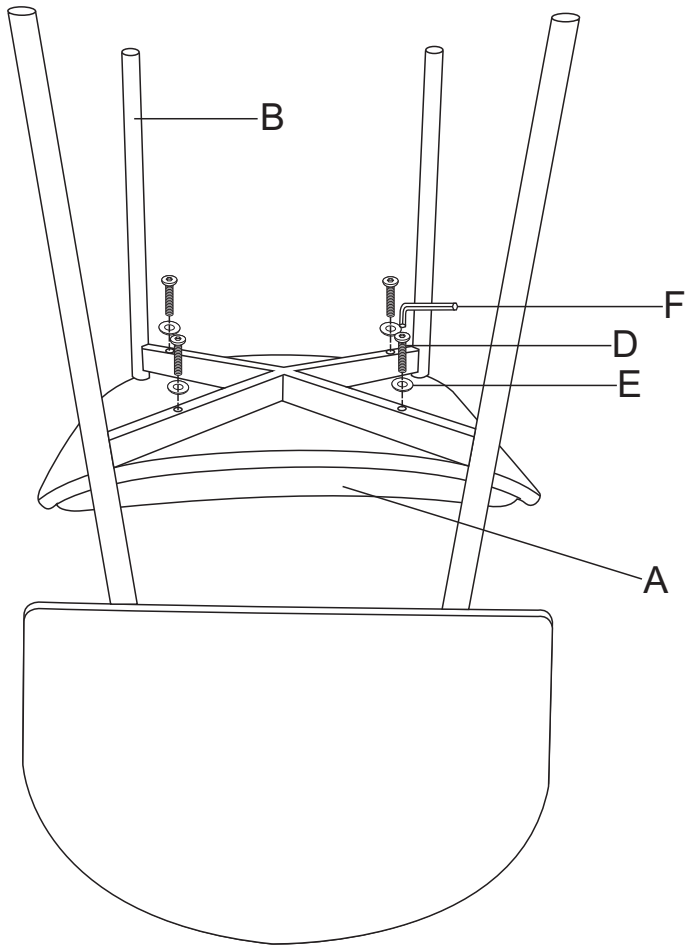


ASSEMBLY INSTRUCTION



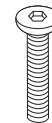
Ax1



Bx1



Dx4



M6x50mm

Ex4



Fx1



M5