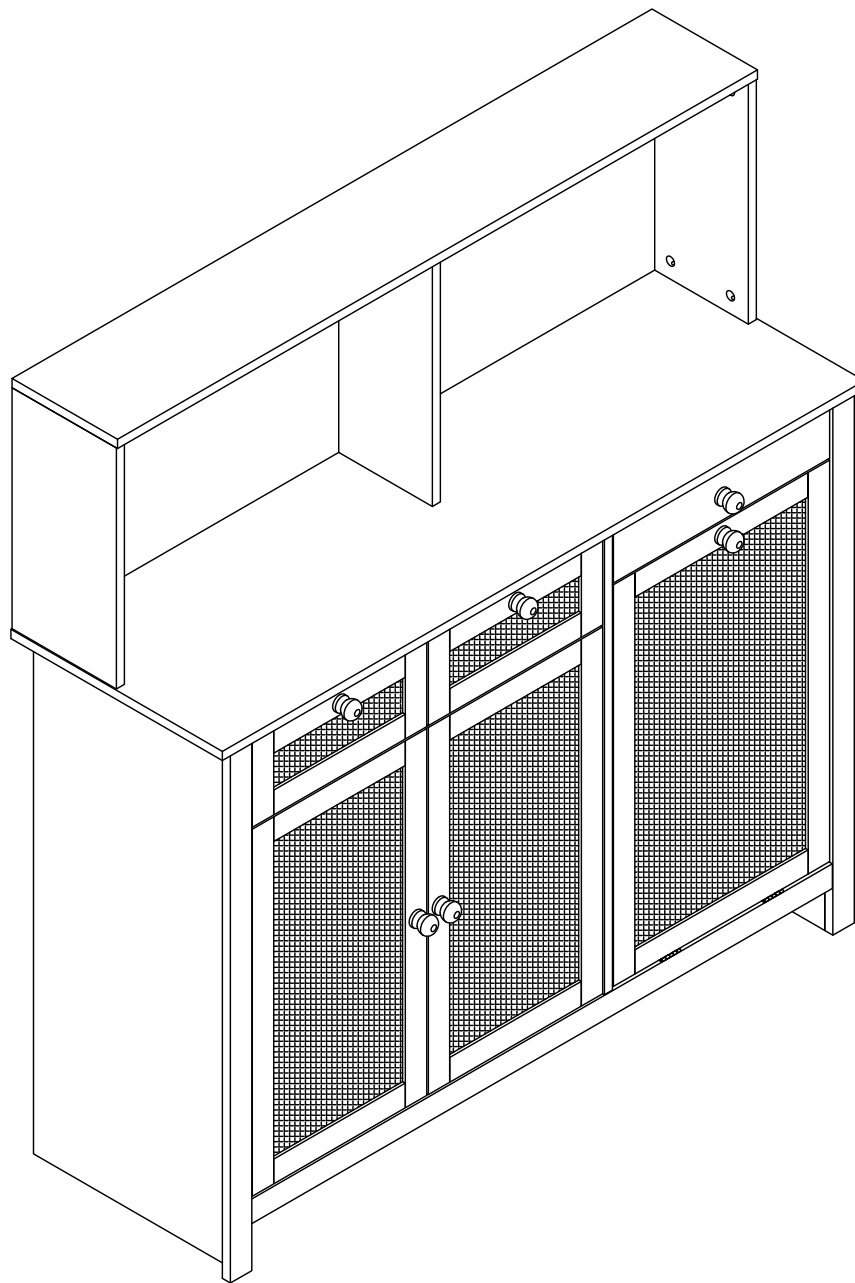


5HK5036SWH

Wine Cooler



ASSEMBLY GUIDE

Thank you for shopping from us!

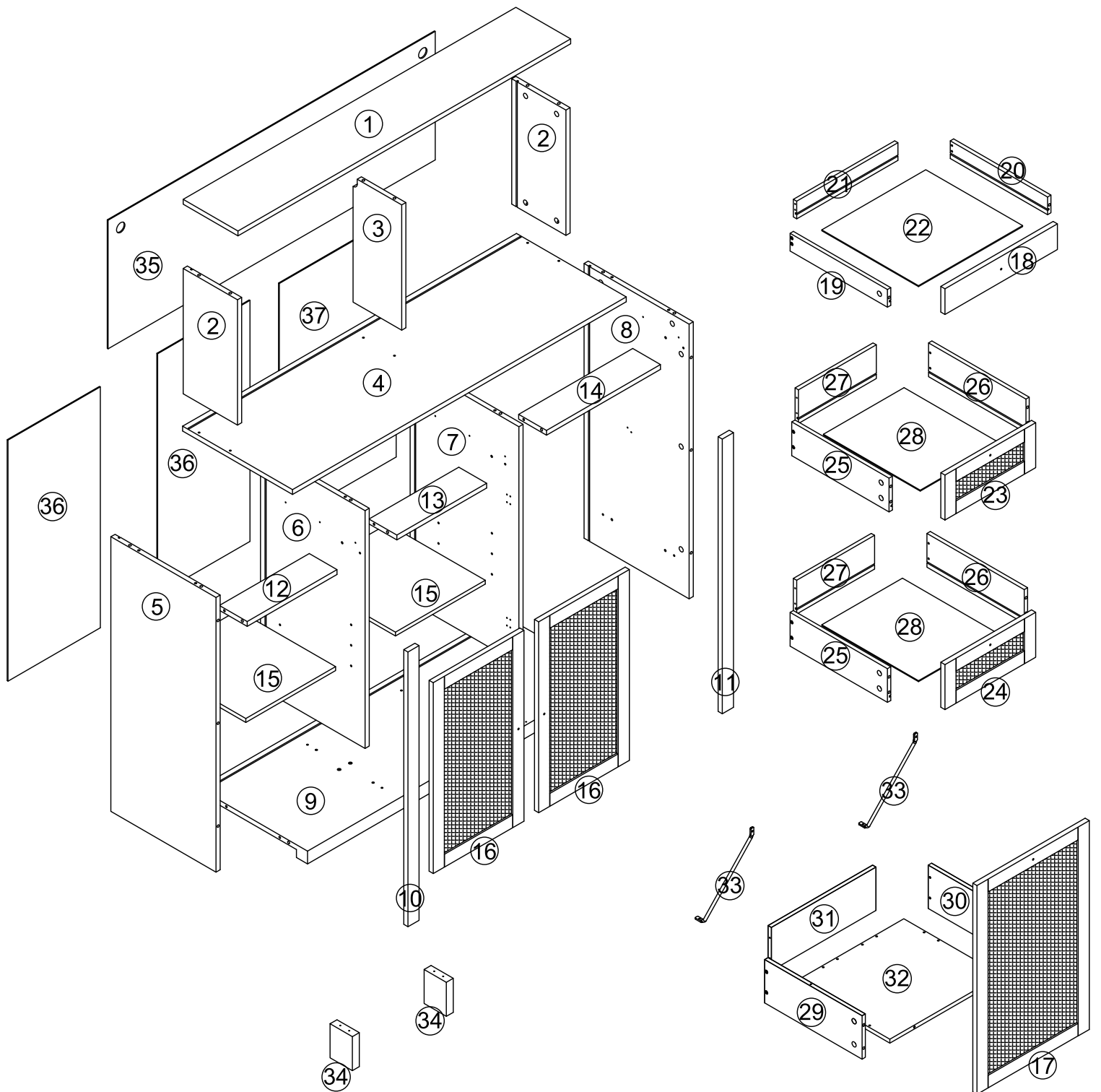
To ensure a smooth installation and optimal use of this product, please carefully read the precautions and detailed operation instructions in this manual. We hope you have a great experience!

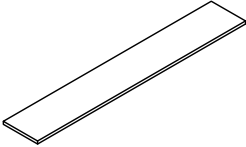
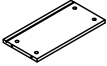
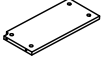
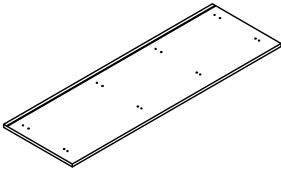
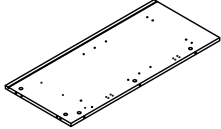
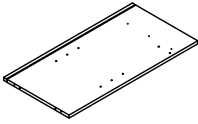
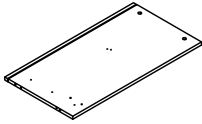
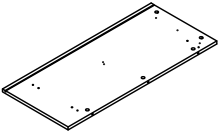
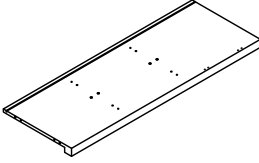
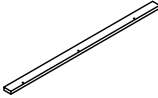
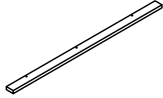



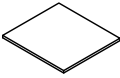
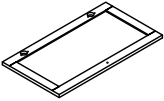
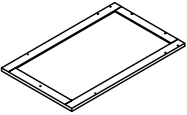




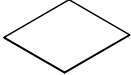
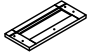




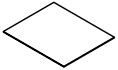
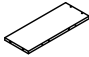


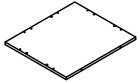


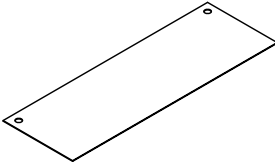
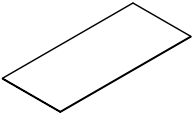
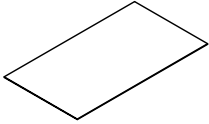
This assembly guide includes the Part List, Installation Steps, and Warning Tips.

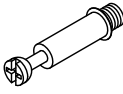


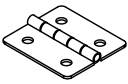
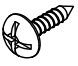


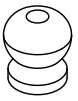

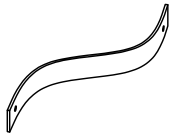
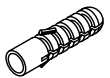
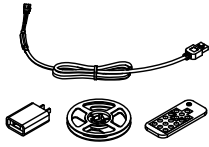


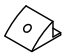


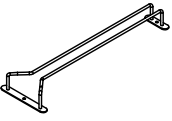
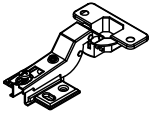




To ensure your package arrives safely and intact, this item will be shipped in two boxes. Please check your package upon receipt. If you have any questions or issues after receiving our product, please feel free to contact us. We will respond within 24 hours and provide you with a suitable solution.

INSTALLATION

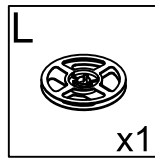
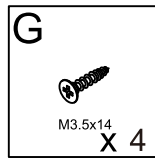
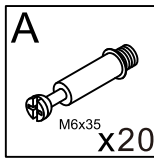
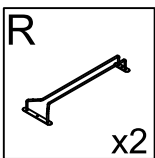
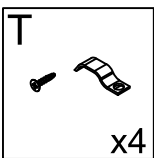
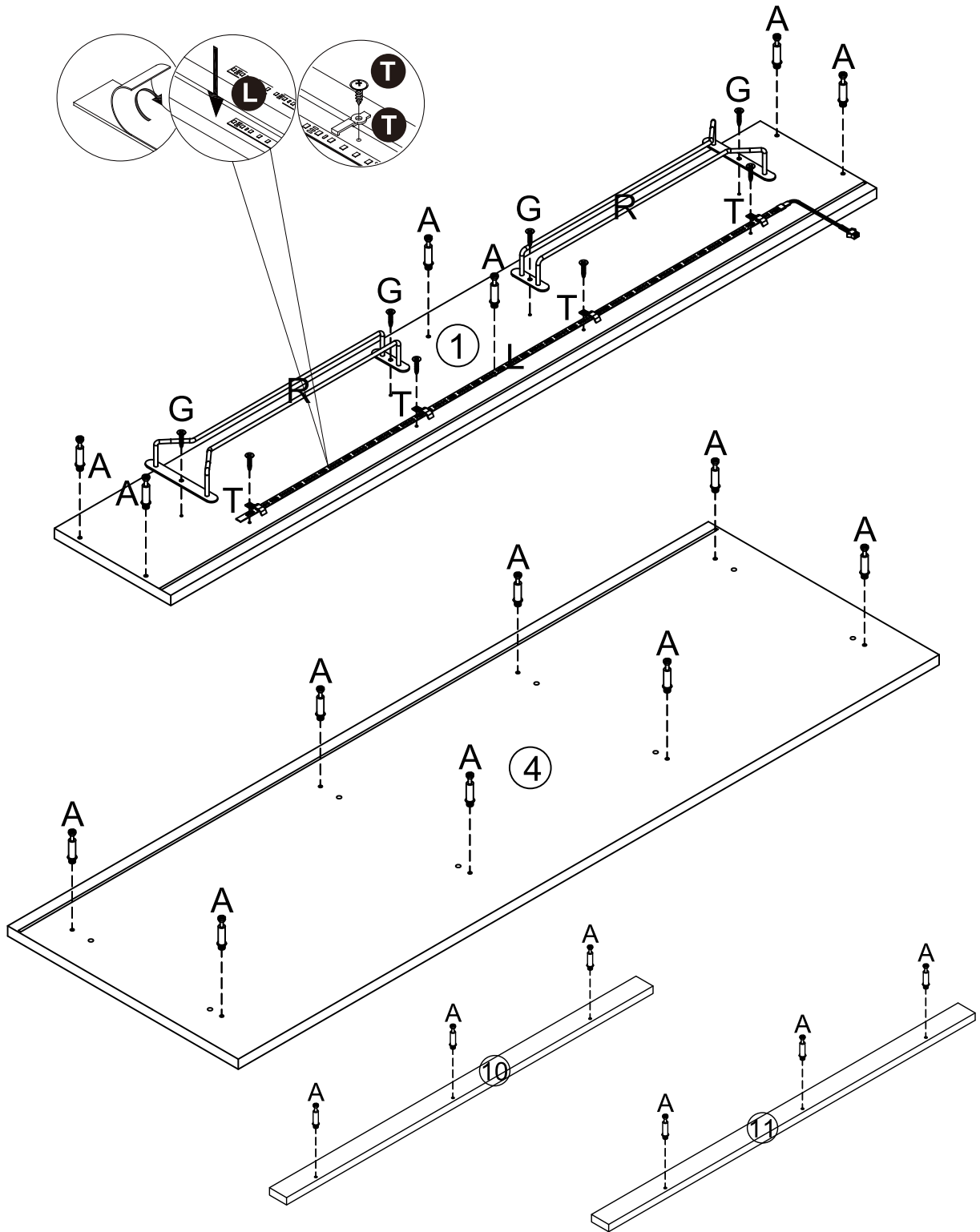
Pre-installation Inspection



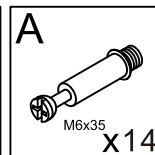
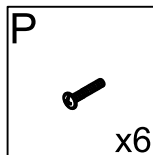
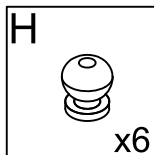
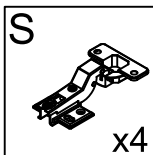
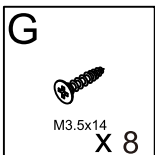
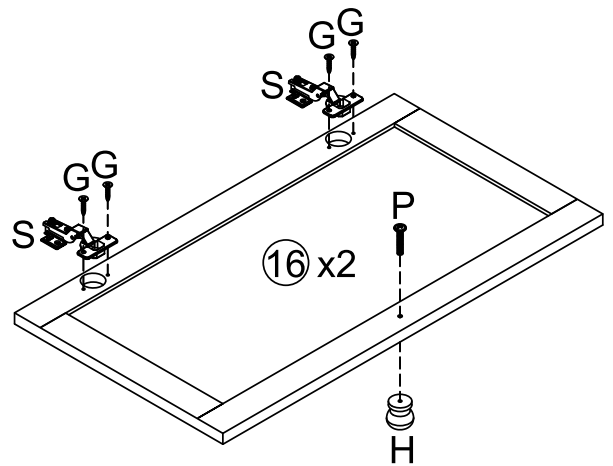
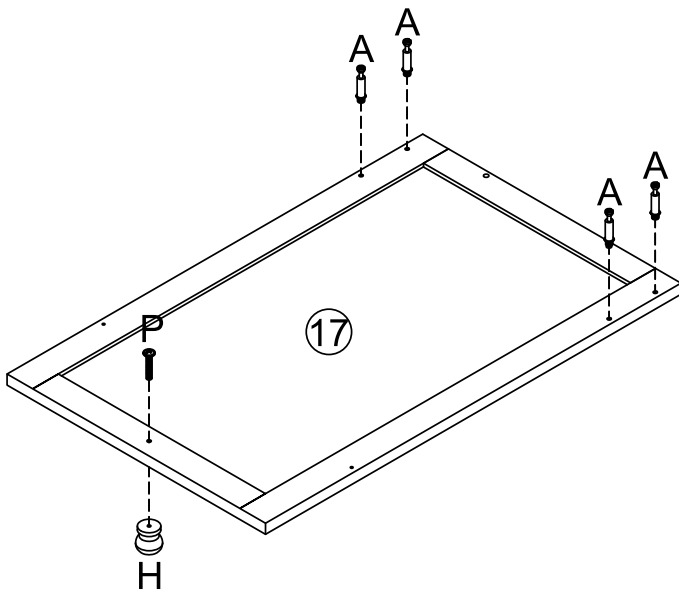
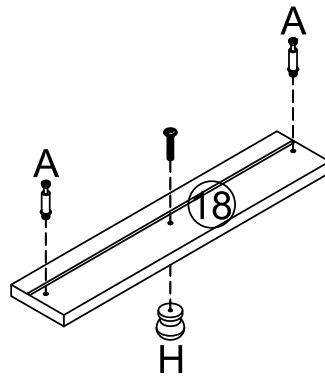
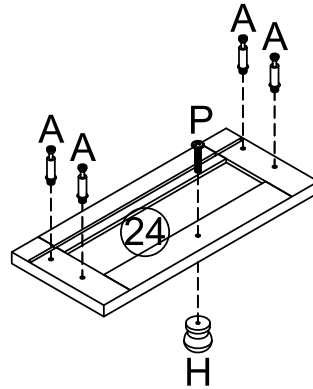
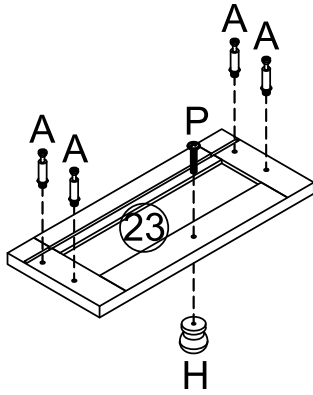
| | | | | | | | | | |
|---|---|---|---|---|-------|----|-------|----|-------|
|  |  |  |  |  | | | | | |
| 1 | 1 PC | 2 | 2 PCS | 3 | 1 PC | 4 | 1 PC | 5 | 1 PC |
|  |  |  |  |  | | | | | |
| 6 | 1 PC | 7 | 1 PC | 8 | 1 PC | 9 | 1 PC | 10 | 1 PC |
|  |  |  |  |  | | | | | |
| 11 | 1 PC | 12 | 1 PC | 13 | 1 PC | 14 | 1 PC | 15 | 2 PCS |
|  |  |  |  |  | | | | | |
| 16 | 2 PCS | 17 | 1 PC | 18 | 1 PC | 19 | 1 PC | 20 | 1 PC |
|  |  |  |  |  | | | | | |
| 21 | 1 PC | 22 | 1 PC | 23 | 1 PC | 24 | 1 PC | 25 | 2 PCS |
|  |  |  |  |  | | | | | |
| 26 | 2 PCS | 27 | 2 PCS | 28 | 2 PCS | 29 | 1 PC | 30 | 1 PC |
|  |  |  |  |  | | | | | |
| 31 | 1 PC | 32 | 1 PC | 33 | 2 PCS | 34 | 2 PCS | 35 | 1 PC |
|  |  | | | | | | | | |
| 36 | 2 PCS | 37 | 1 PC | | | | | | |

| | | | | |
|--|--|--|---|---|
| <p>A</p>  <p>M6x35 x50+2</p> | <p>B</p>  <p>Ø15x10 x50+2</p> | <p>C</p>  <p>Ø6x30 x28+2</p> | <p>D</p>  <p>x2</p> | <p>E</p>  <p>M4x12 x4</p> |
| <p>F</p>  <p>M4x35 x32+2</p> | <p>G</p>  <p>M3.5x14 x64+3</p> | <p>H</p>  <p>x6</p> | <p>I</p>  <p>CL CR DL DR x3 SET</p> | <p>J</p>  <p>x2</p> |
| <p>K</p>  <p>x2</p> | <p>L</p>  <p>x1</p> | <p>M</p>  <p>x6</p> | <p>N</p>  <p>x8</p> | <p>O</p>  <p>x8</p> |
| <p>P</p>  <p>x6</p> | <p>Q</p>  <p>x2</p> | <p>R</p>  <p>x2</p> | <p>S</p>  <p>x4</p> | <p>T</p>  <p>x4 SET</p> |
| <p>U</p>  <p>M3x12 x16+1</p> | <p>V</p>  <p>Ø6x50 x1</p> | <p>X</p>  <p>x16</p> | | |

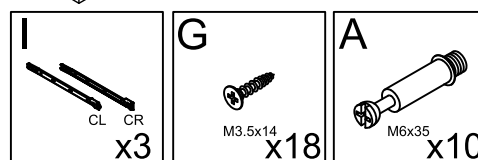
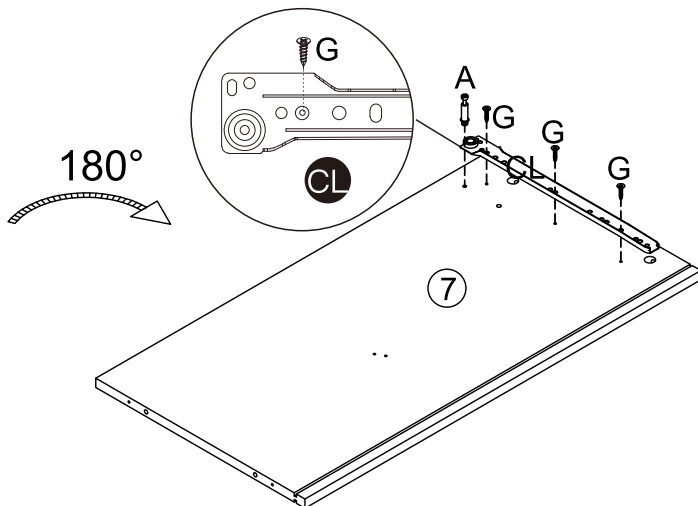
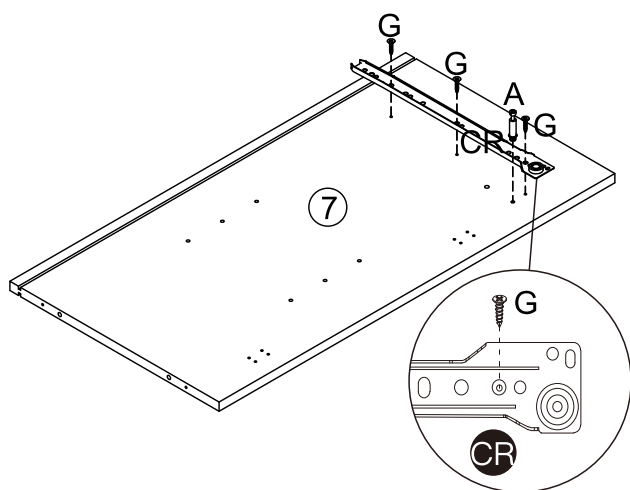
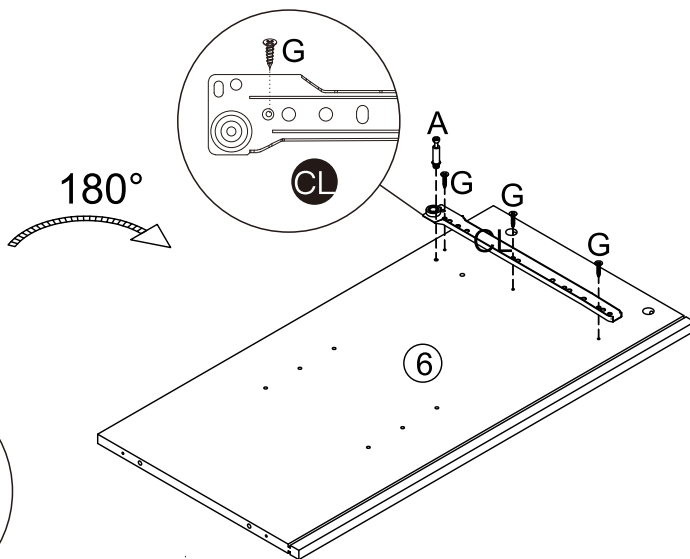
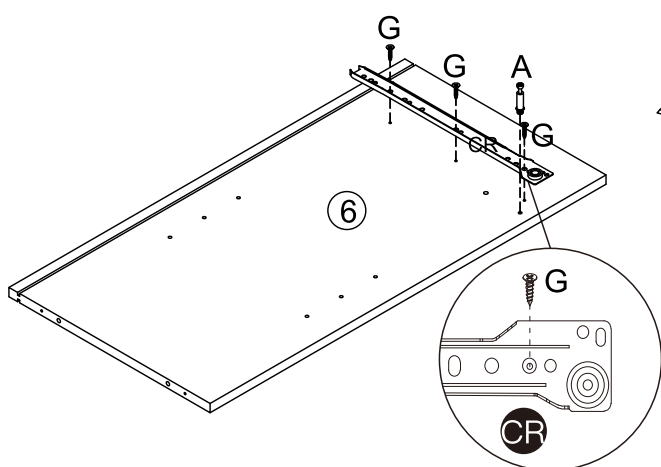
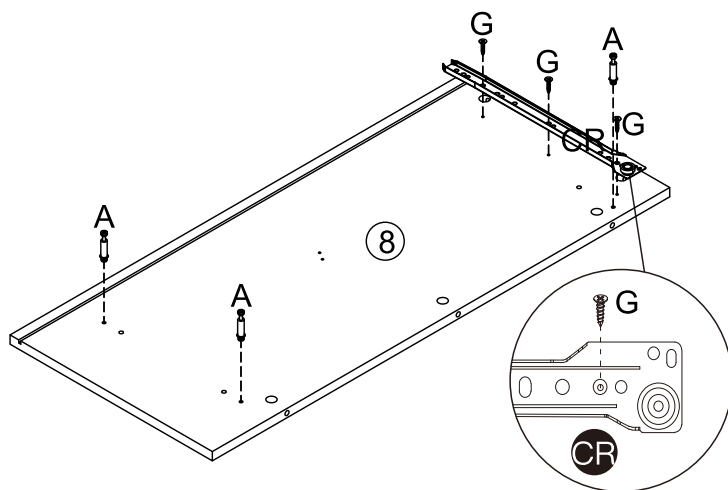
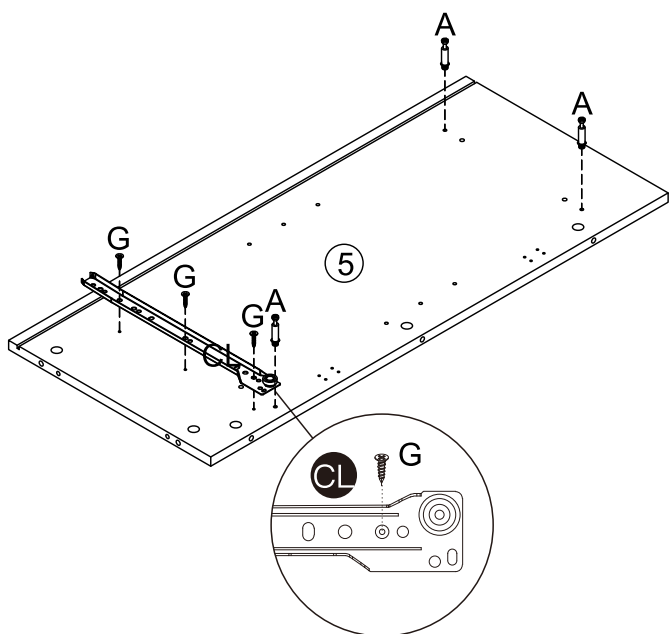
STEP 1



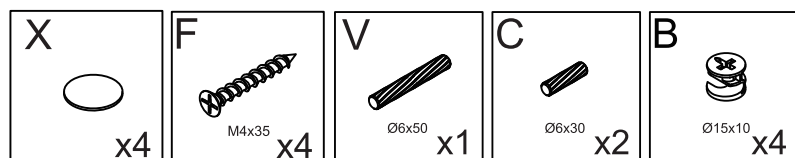
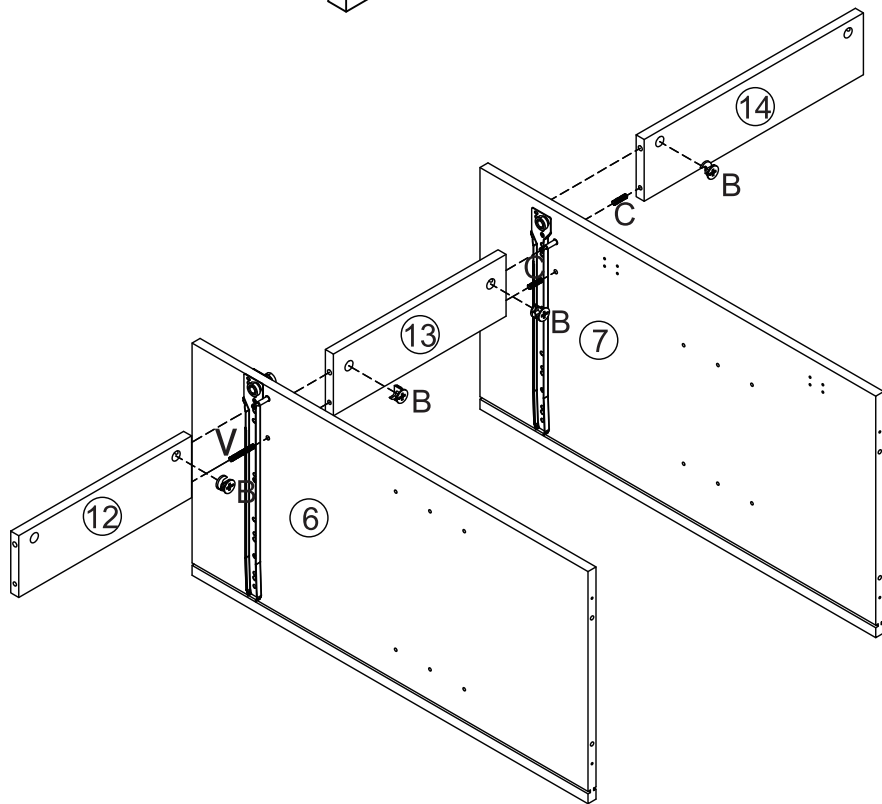
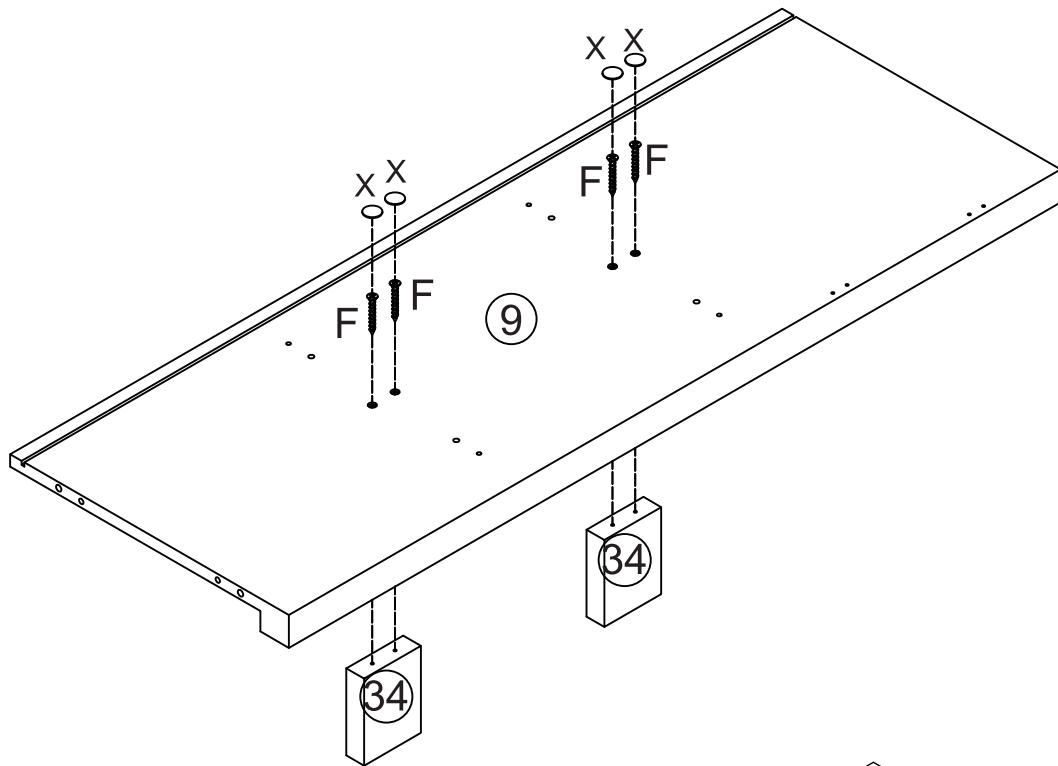
STEP 2



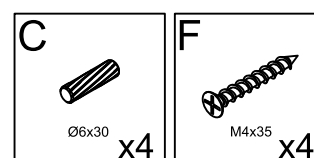
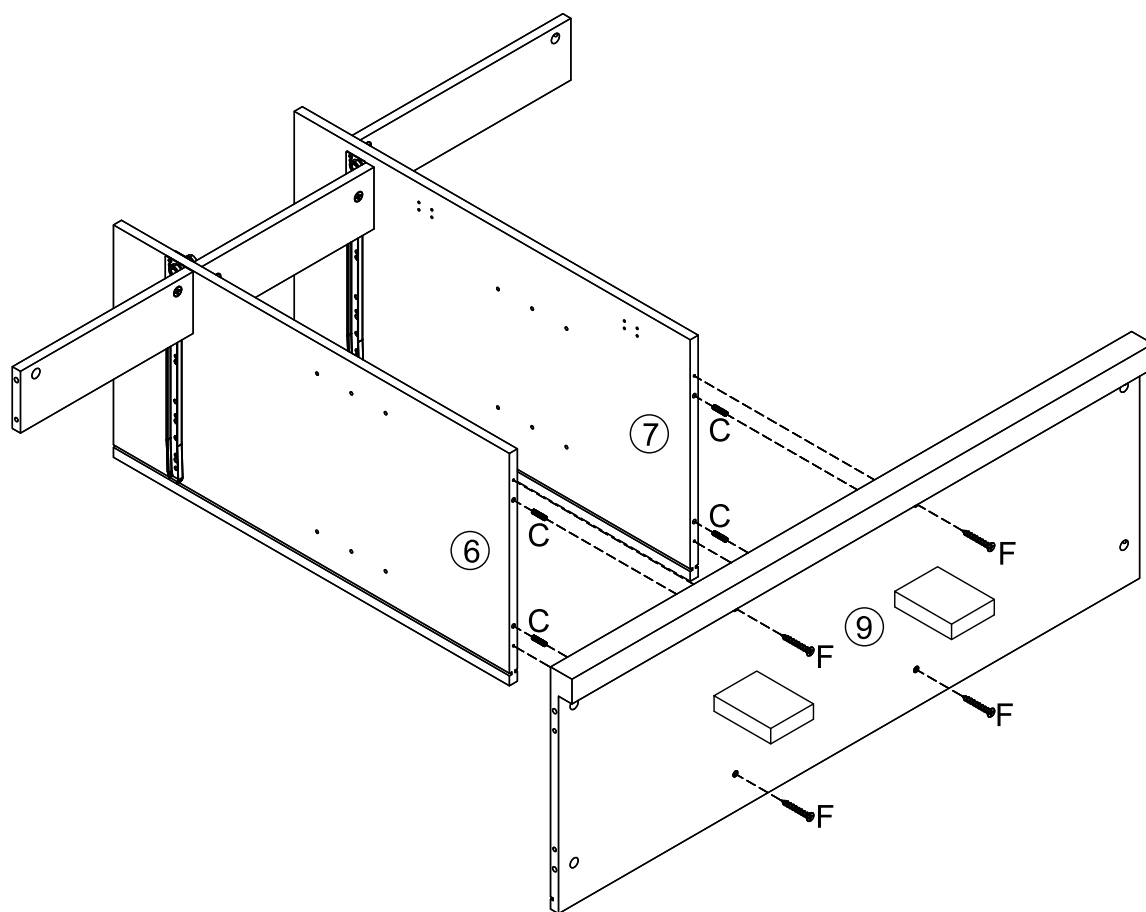
STEP 3



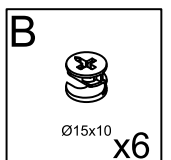
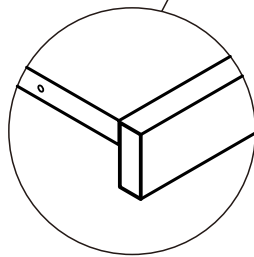
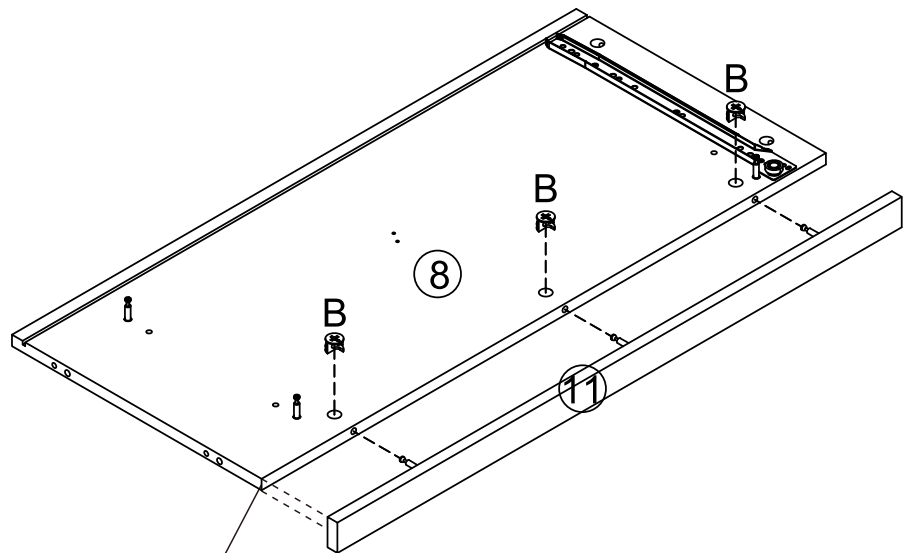
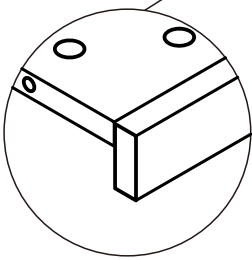
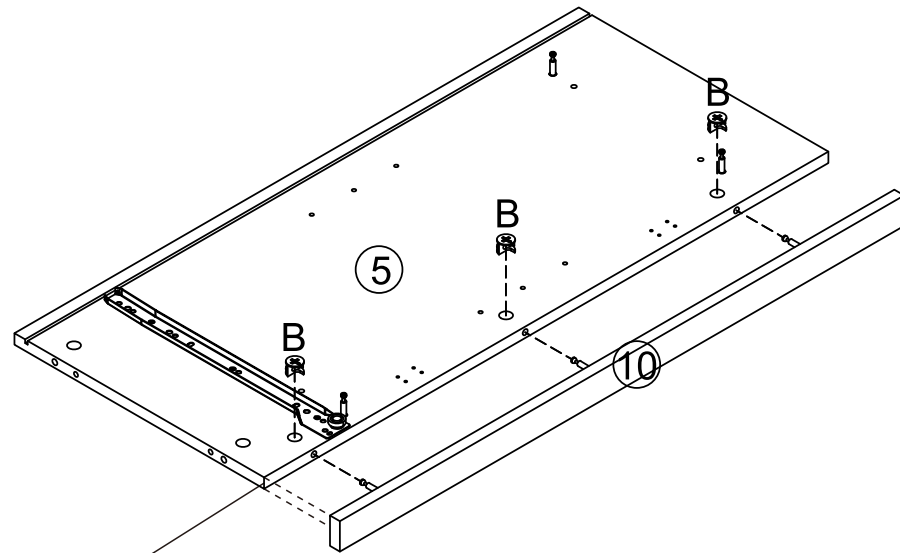
STEP 4



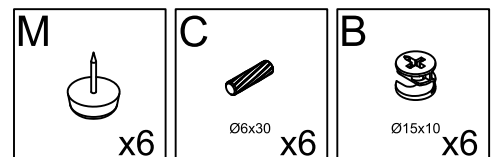
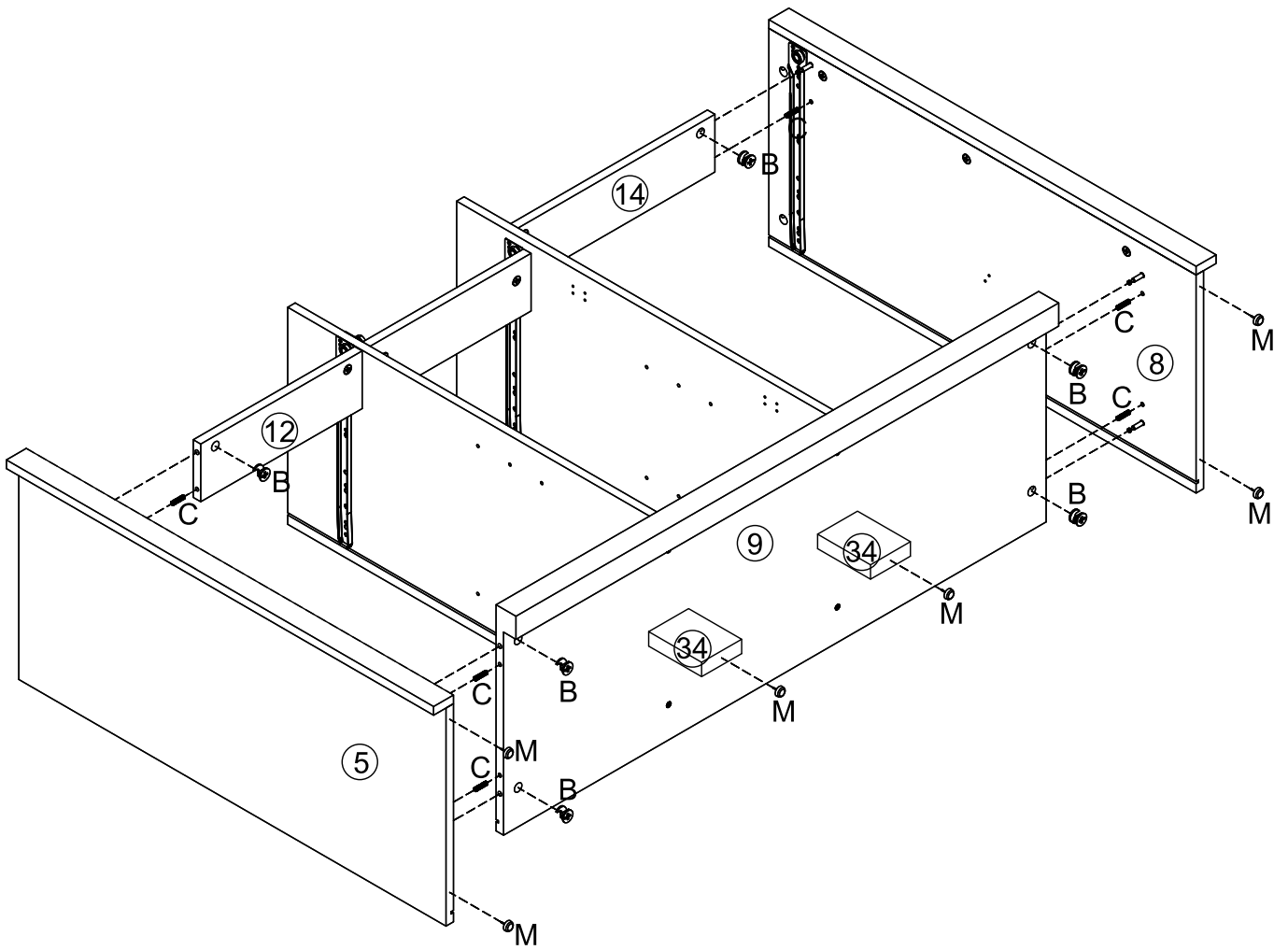
STEP 5



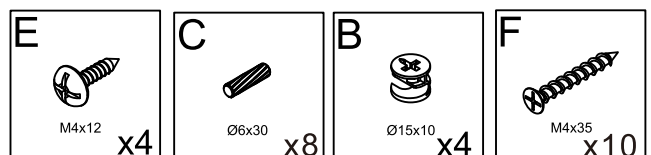
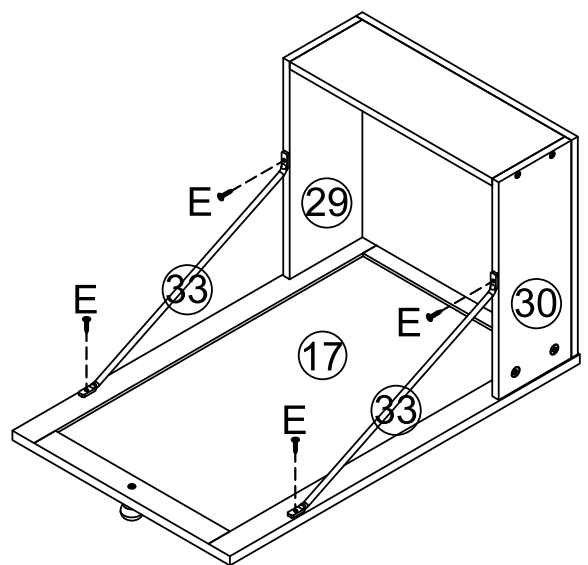
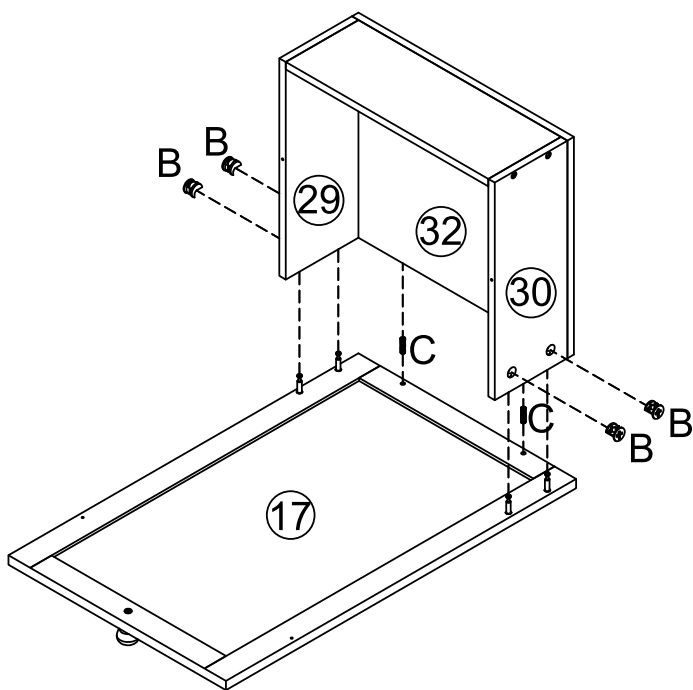
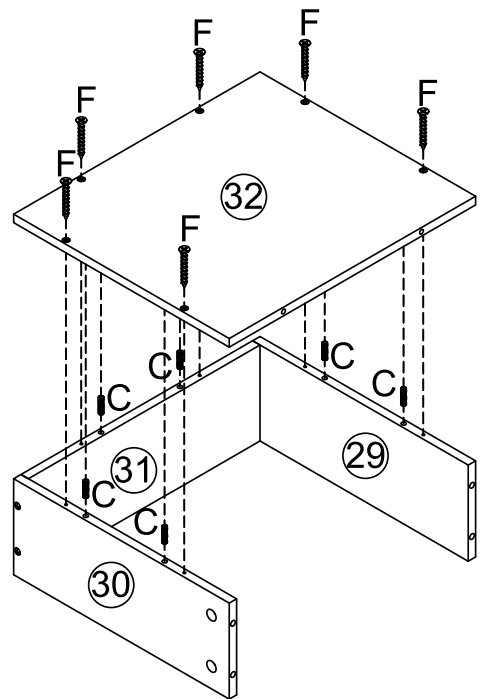
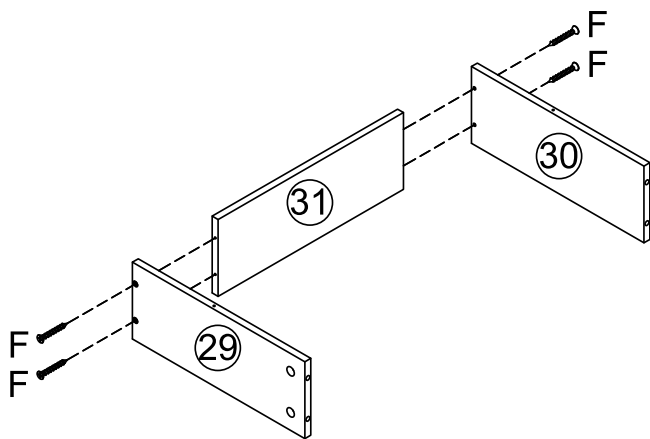
STEP 6



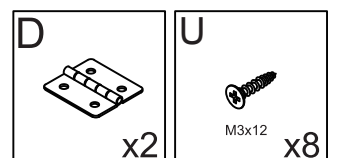
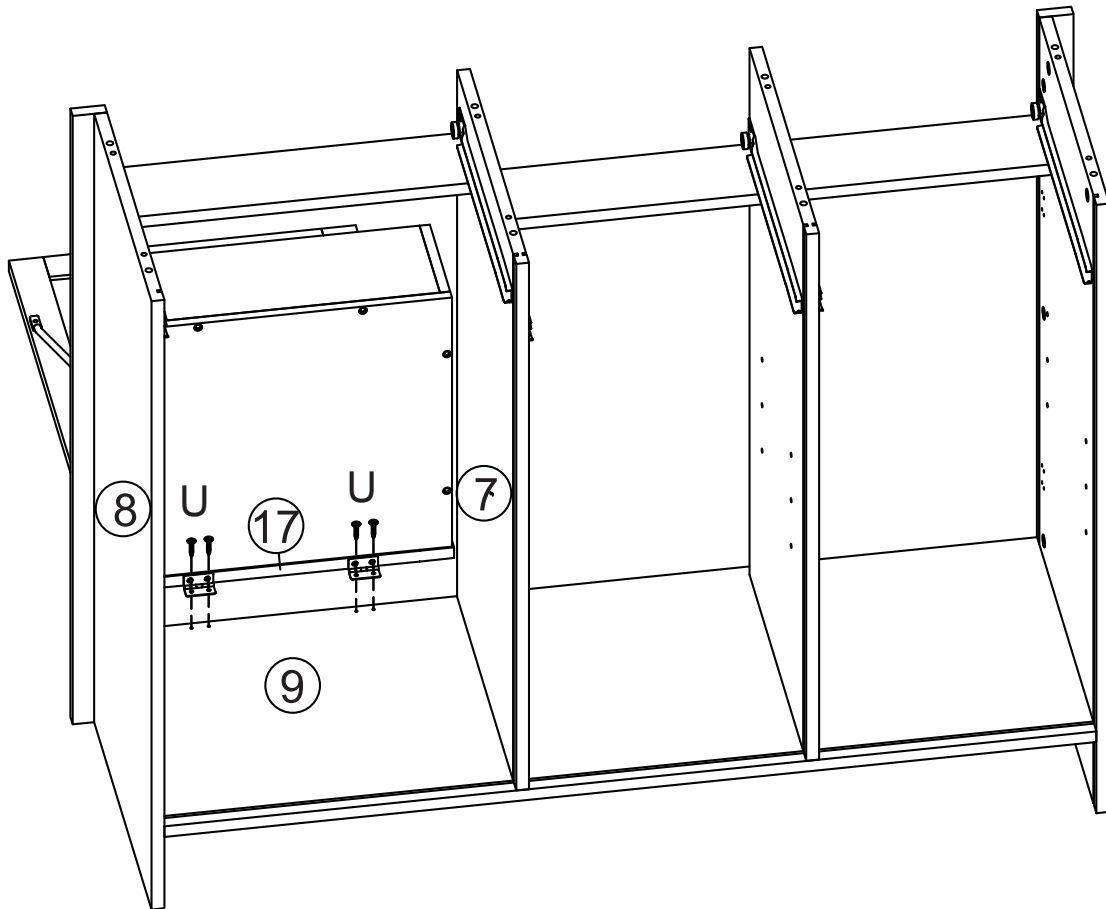
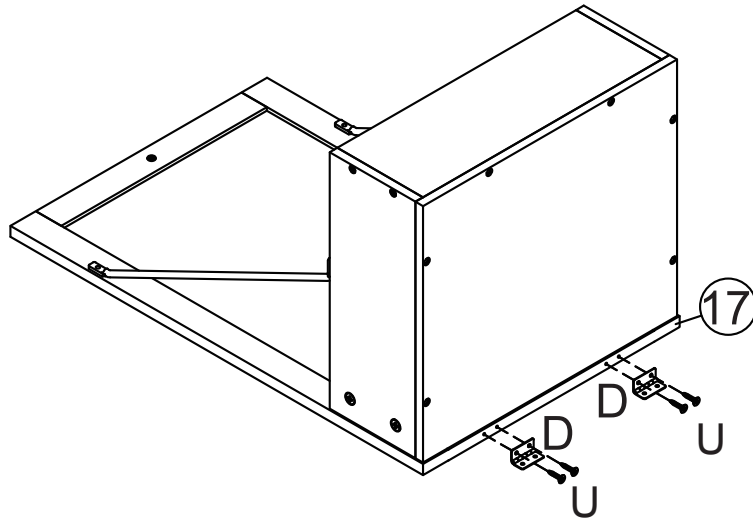
STEP 7



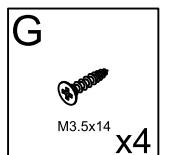
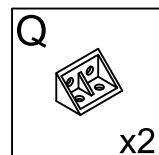
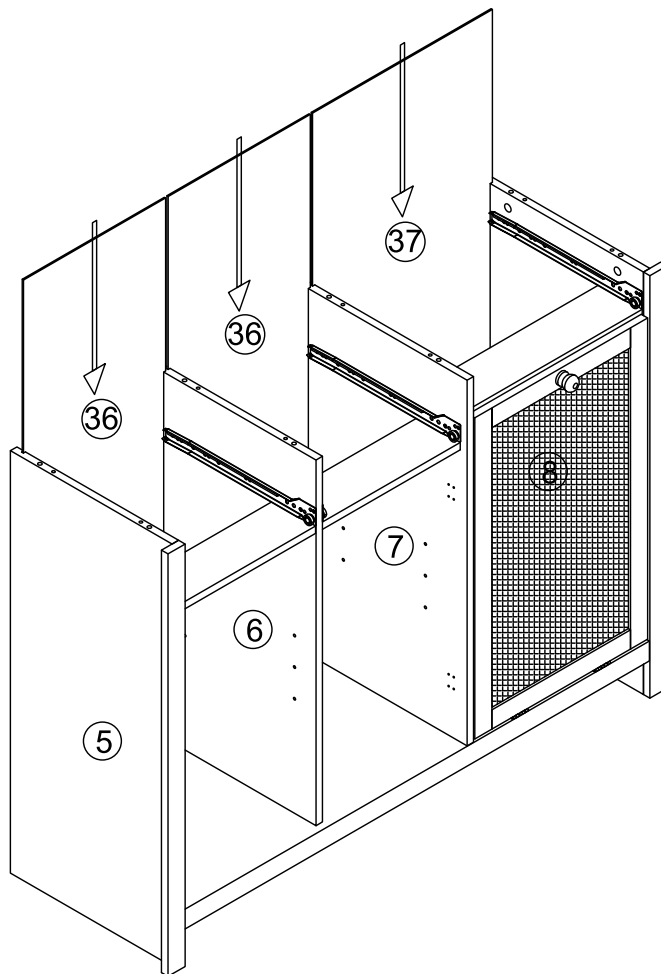
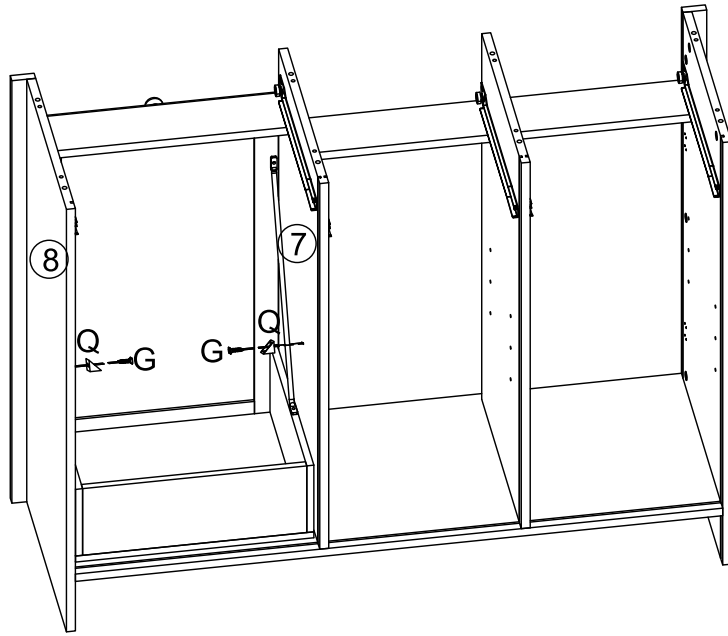
STEP 8



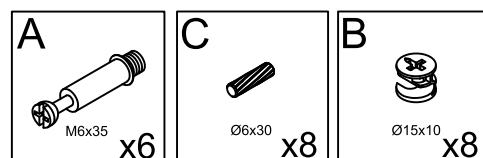
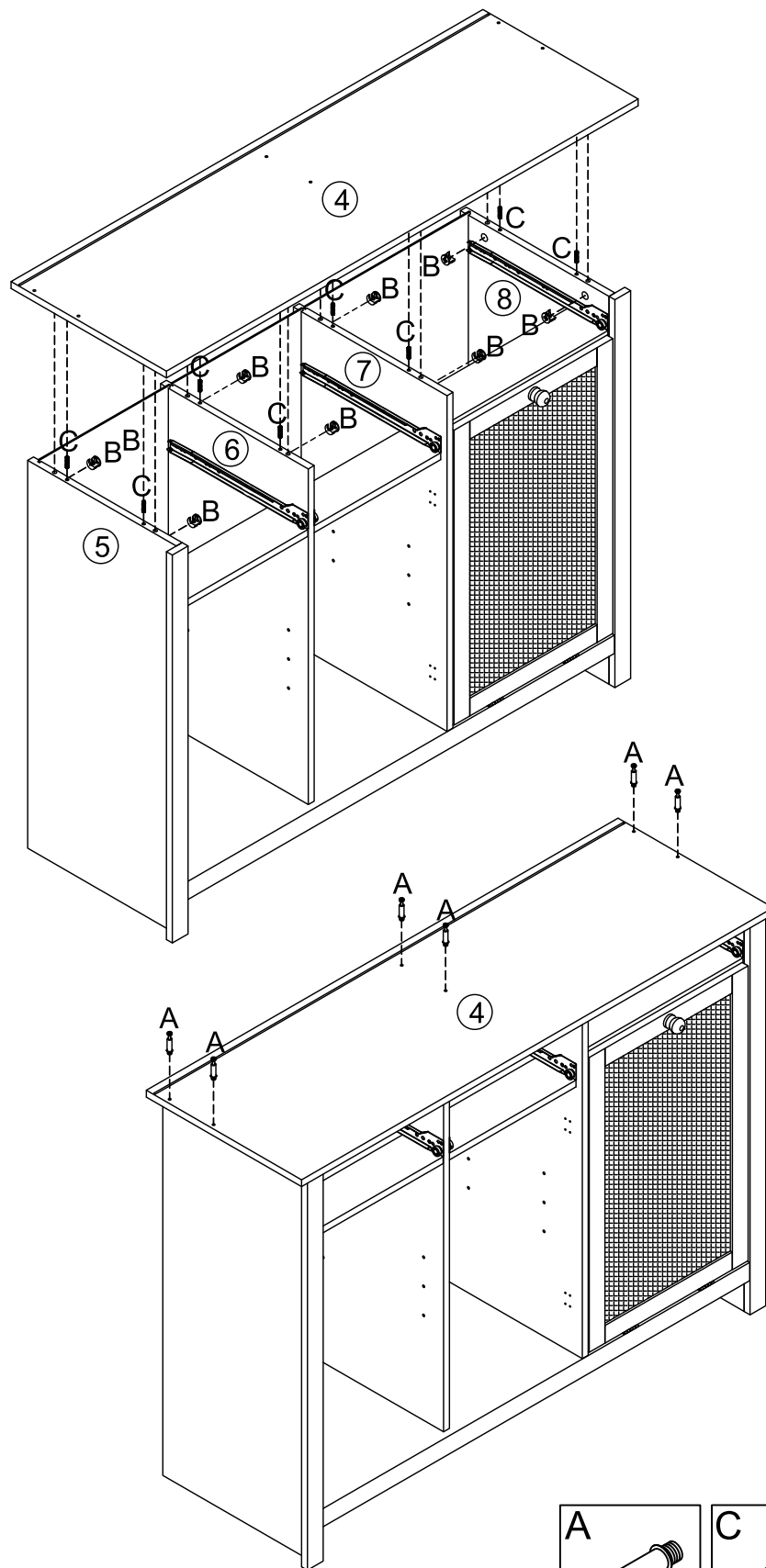
STEP 9



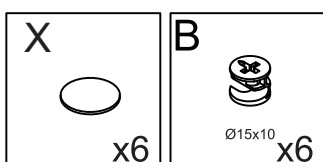
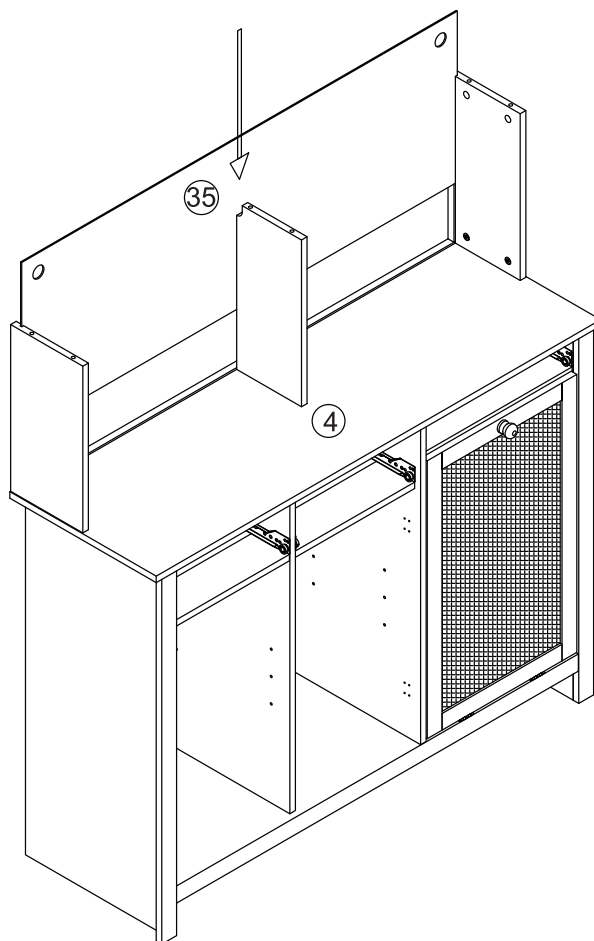
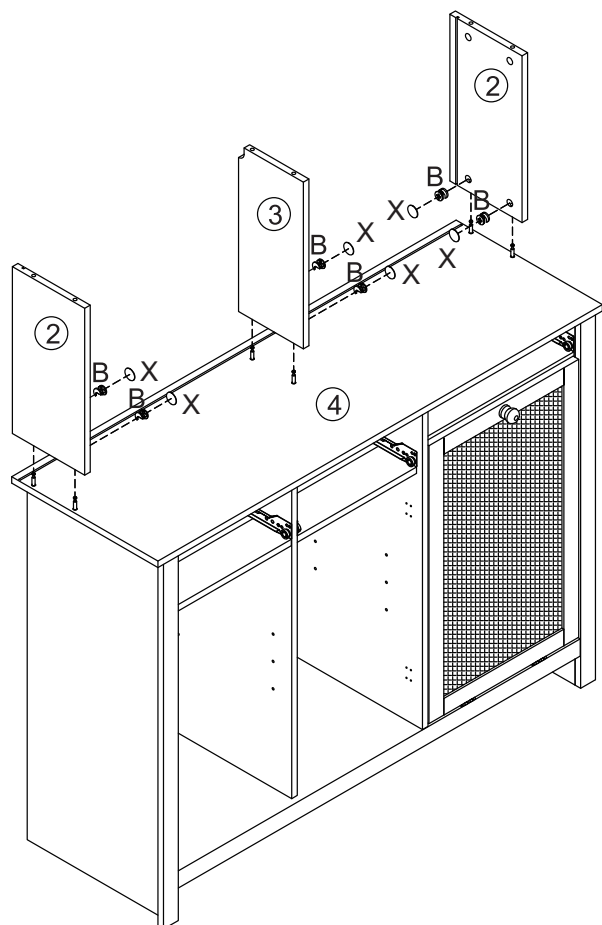
STEP 10



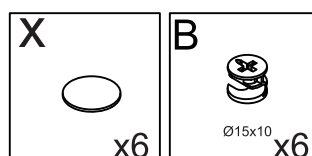
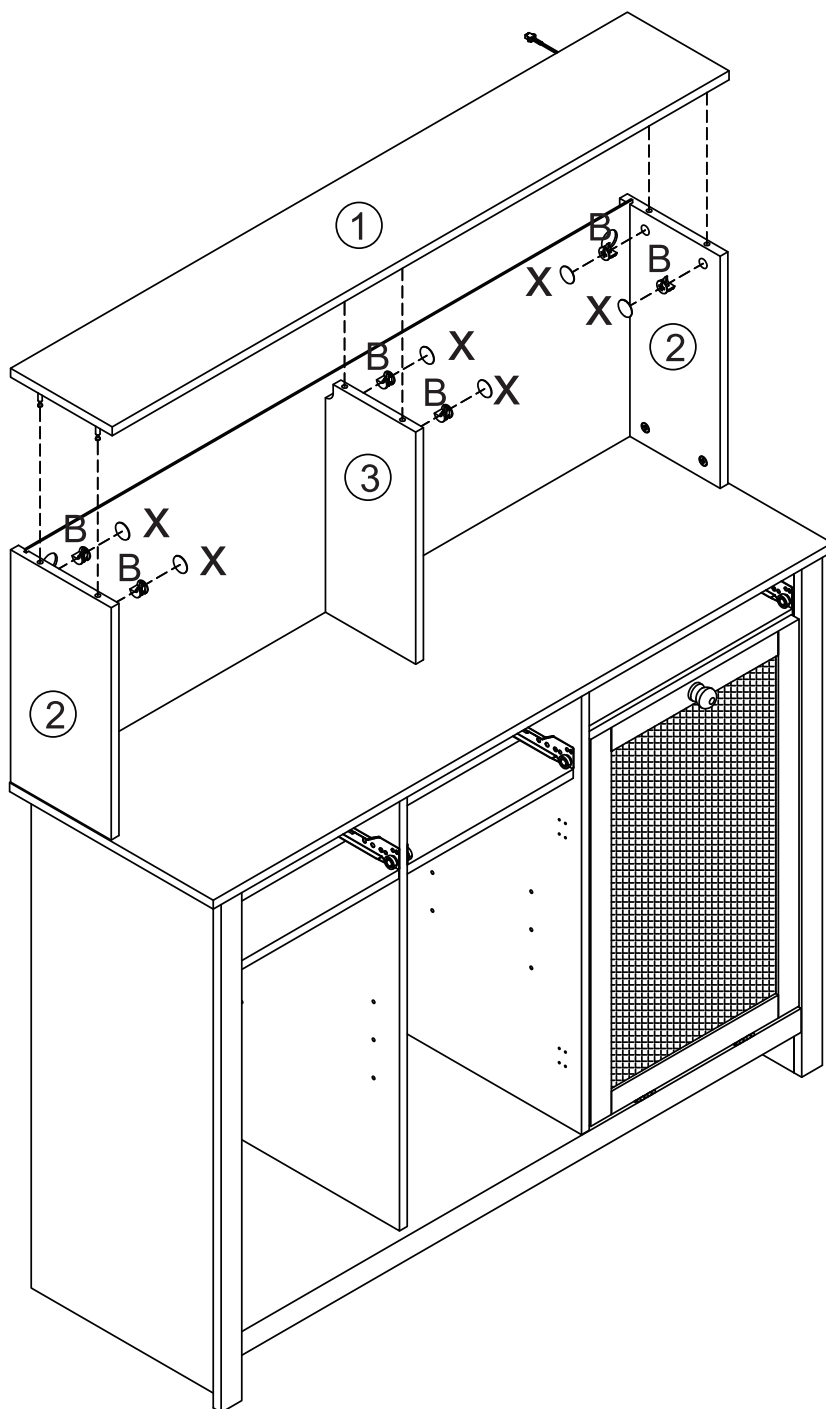
STEP 11



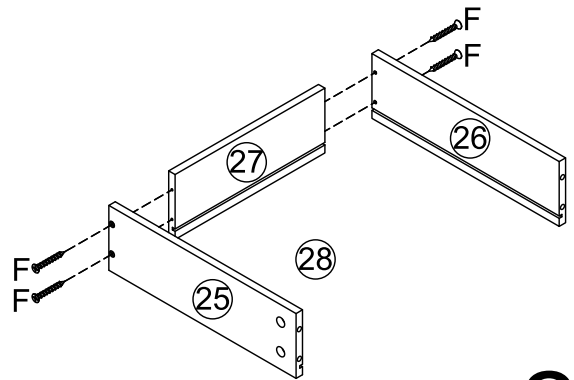
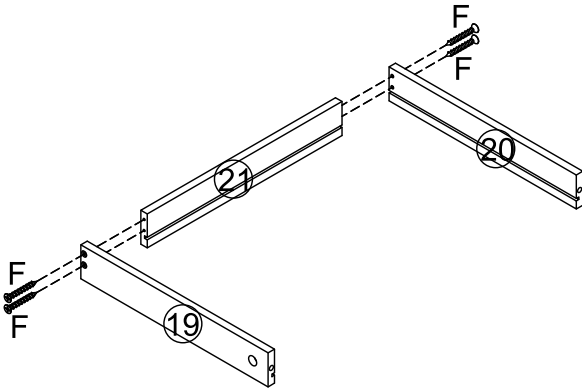
STEP 12



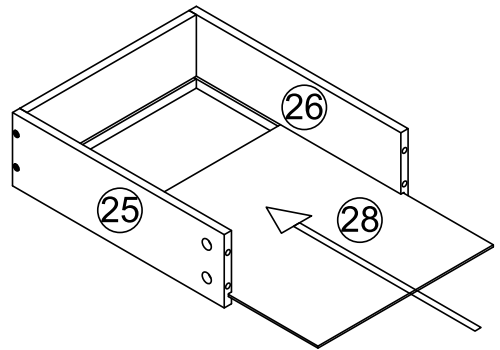
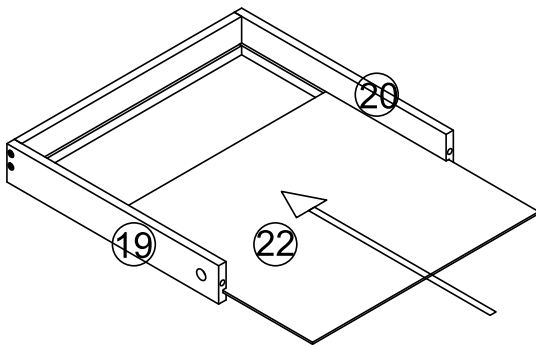
STEP13



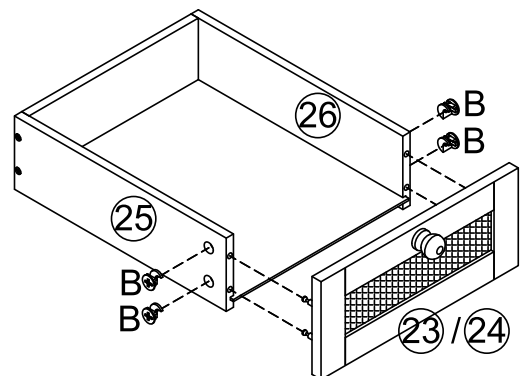
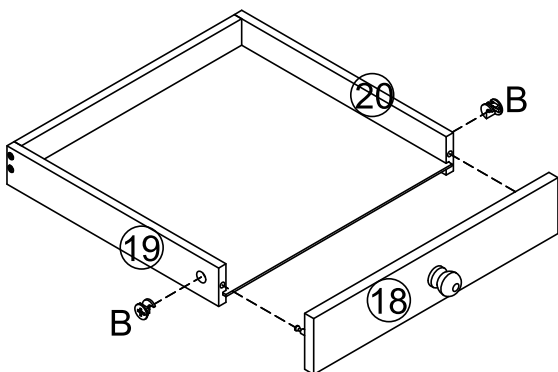
STEP 14



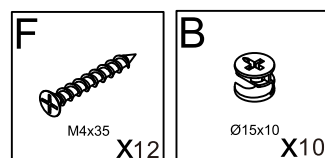
x2



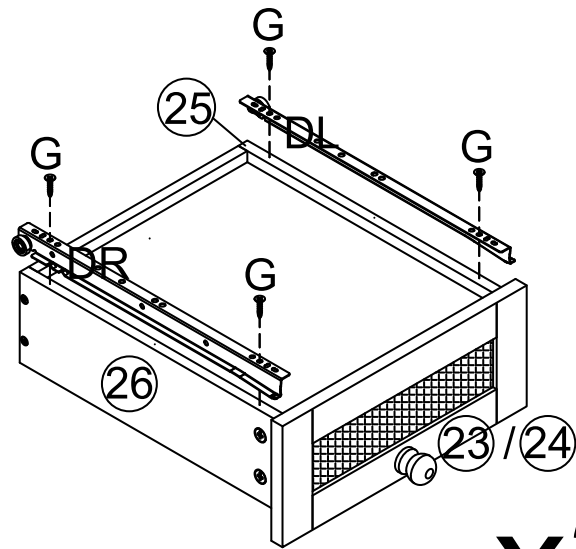
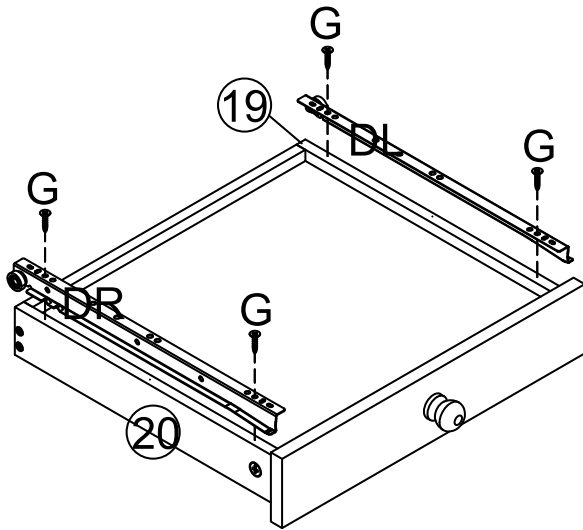
x2



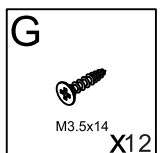
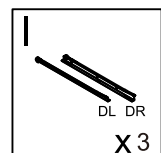
x2



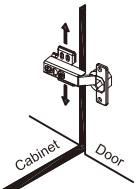
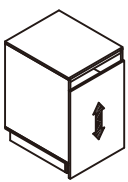
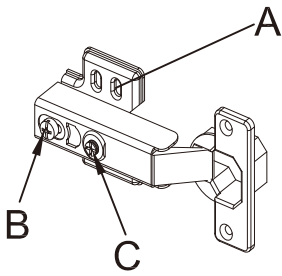
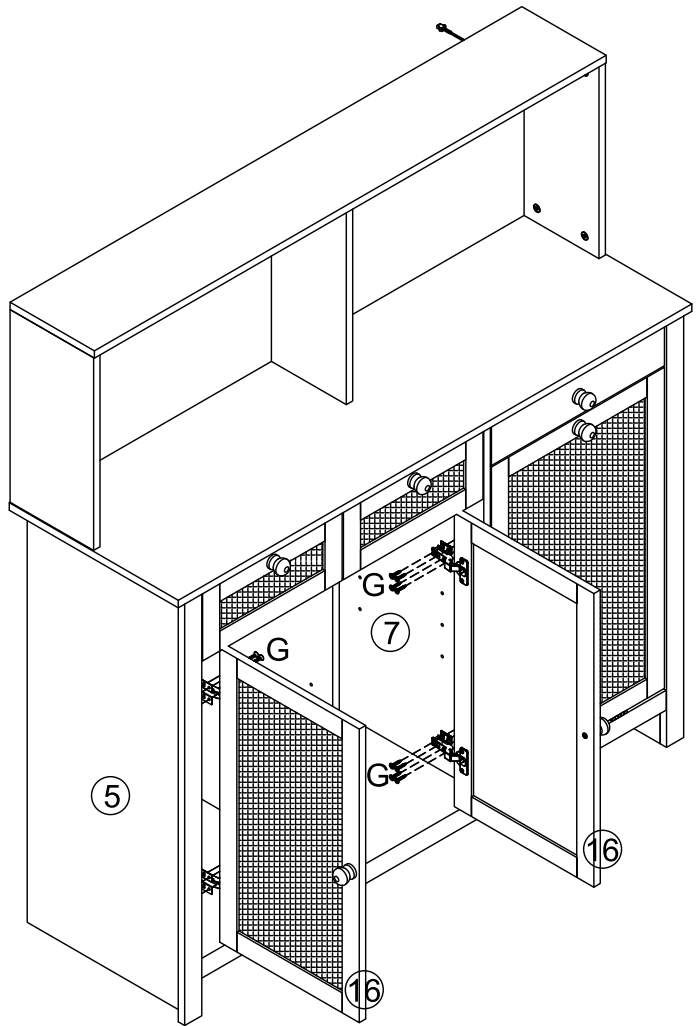
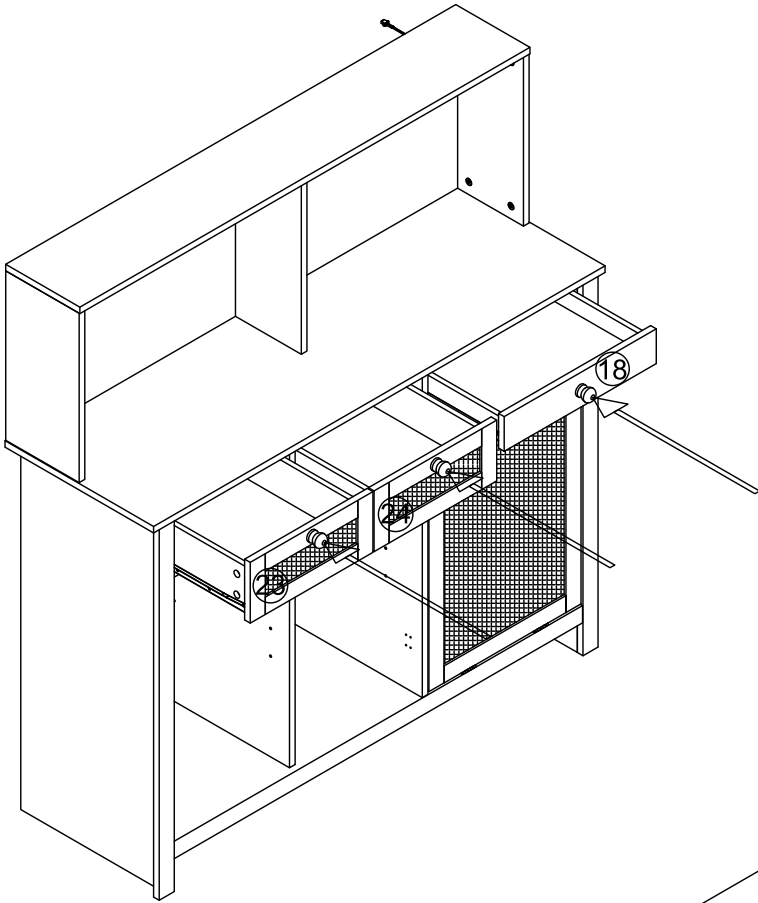
STEP15



x2

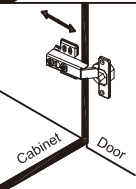
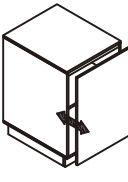


STEP 16



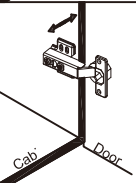
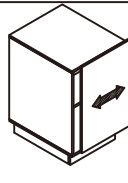
To adjust the vertical height.

Loosen the four screws "A" on both hinges. Two of them are usually in slotted holes which allows you to adjust up or down by a few mm. Then tighten back up.



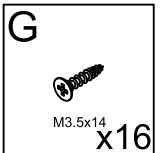
To adjust depth.

Loosen screw "B" and adjust door, if the door can not be adjusted, please loosen screw "C", then try again. Tighten screw "B" and "C".

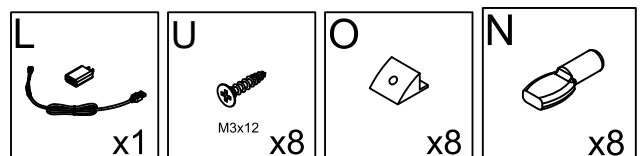
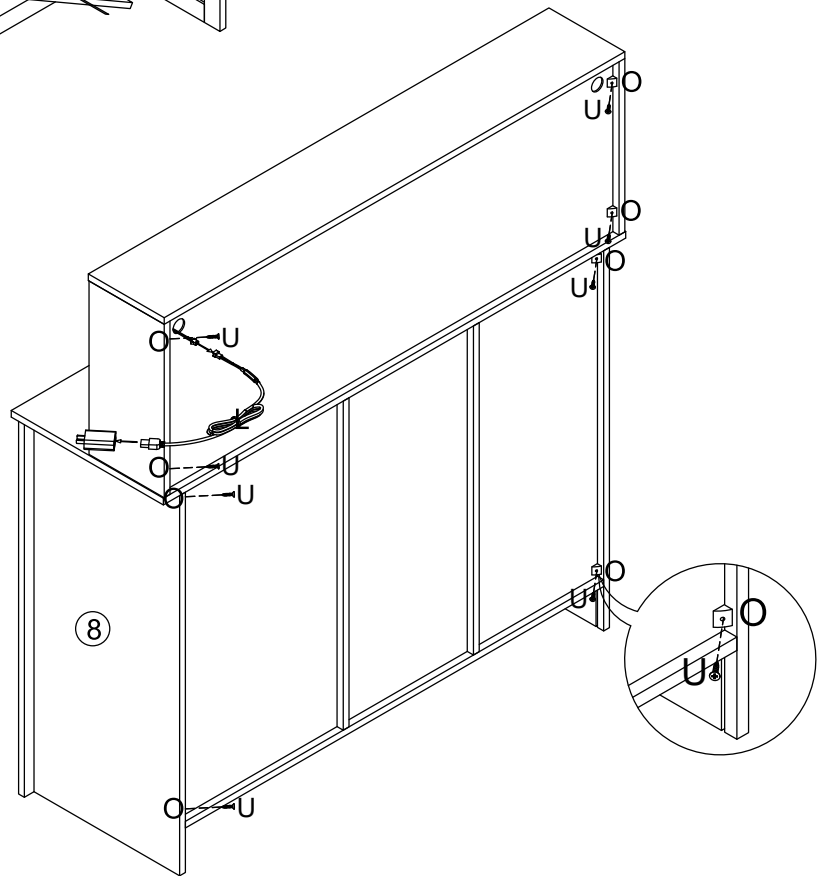
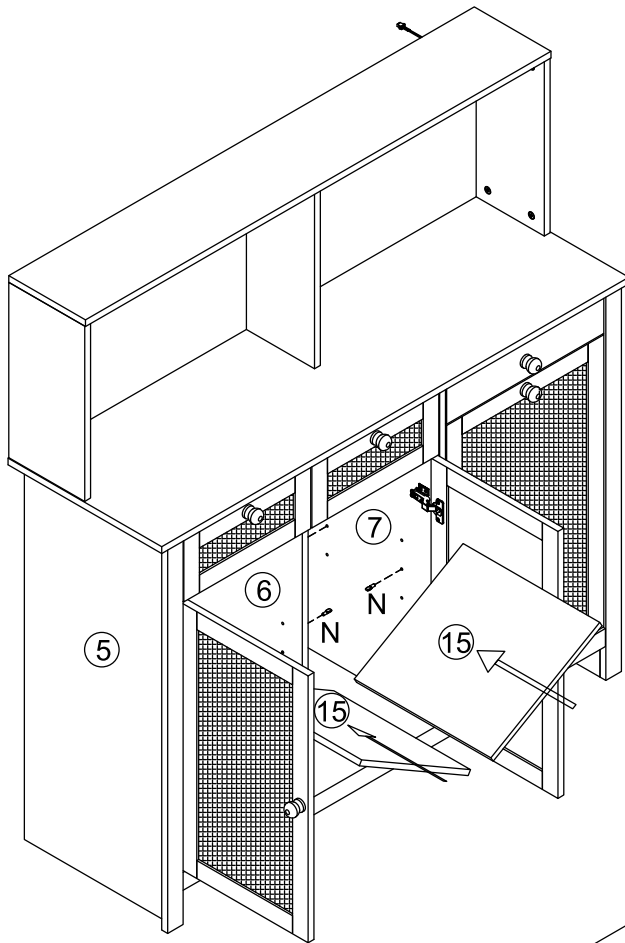


To adjust side ways.

Turning the screw "C" on BOTH hinges on each door.



STEP 17



STEP 18

