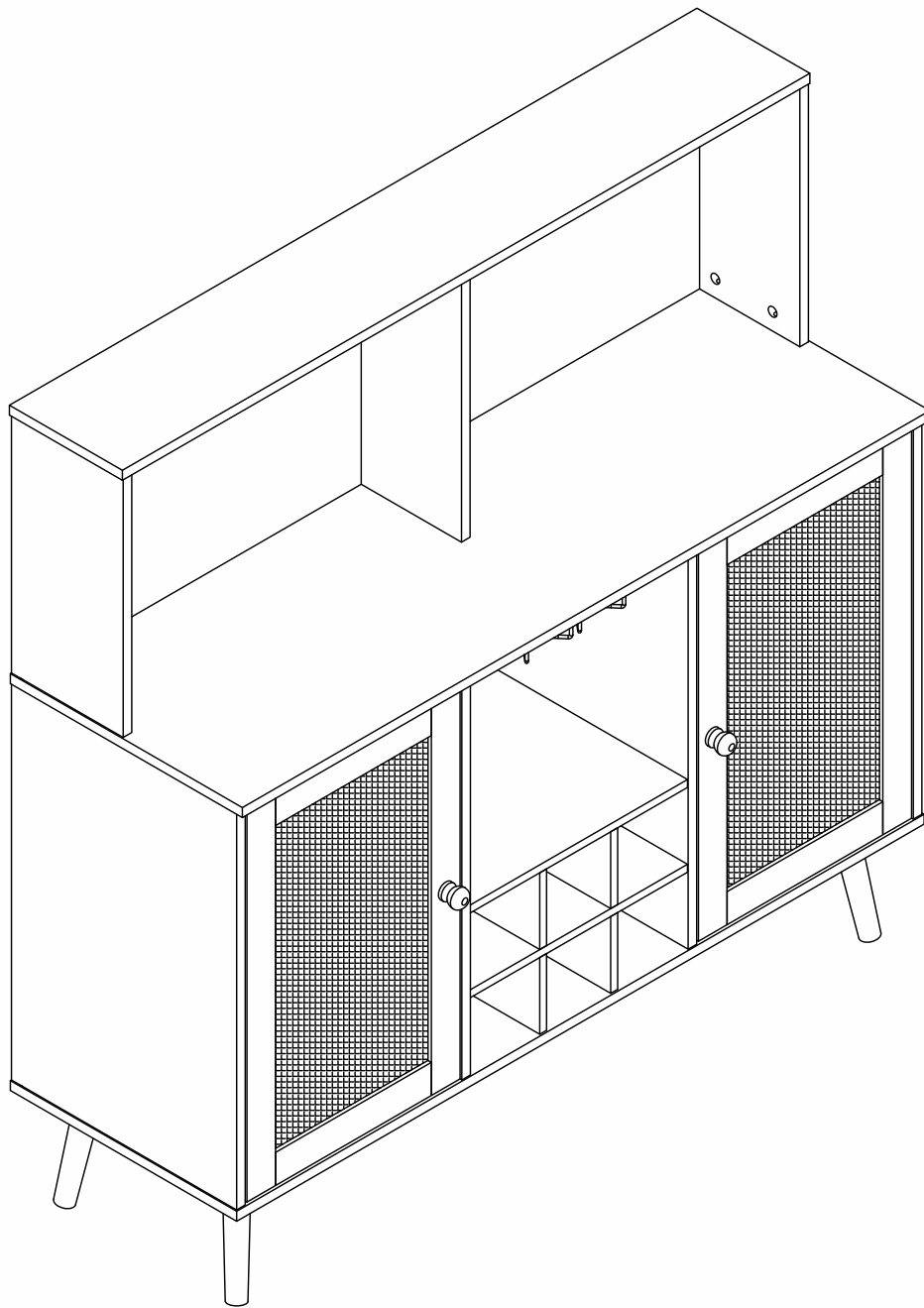


5HK5035SWH

Wine Cooler



ASSEMBLY GUIDE

Thank you for shopping from us!

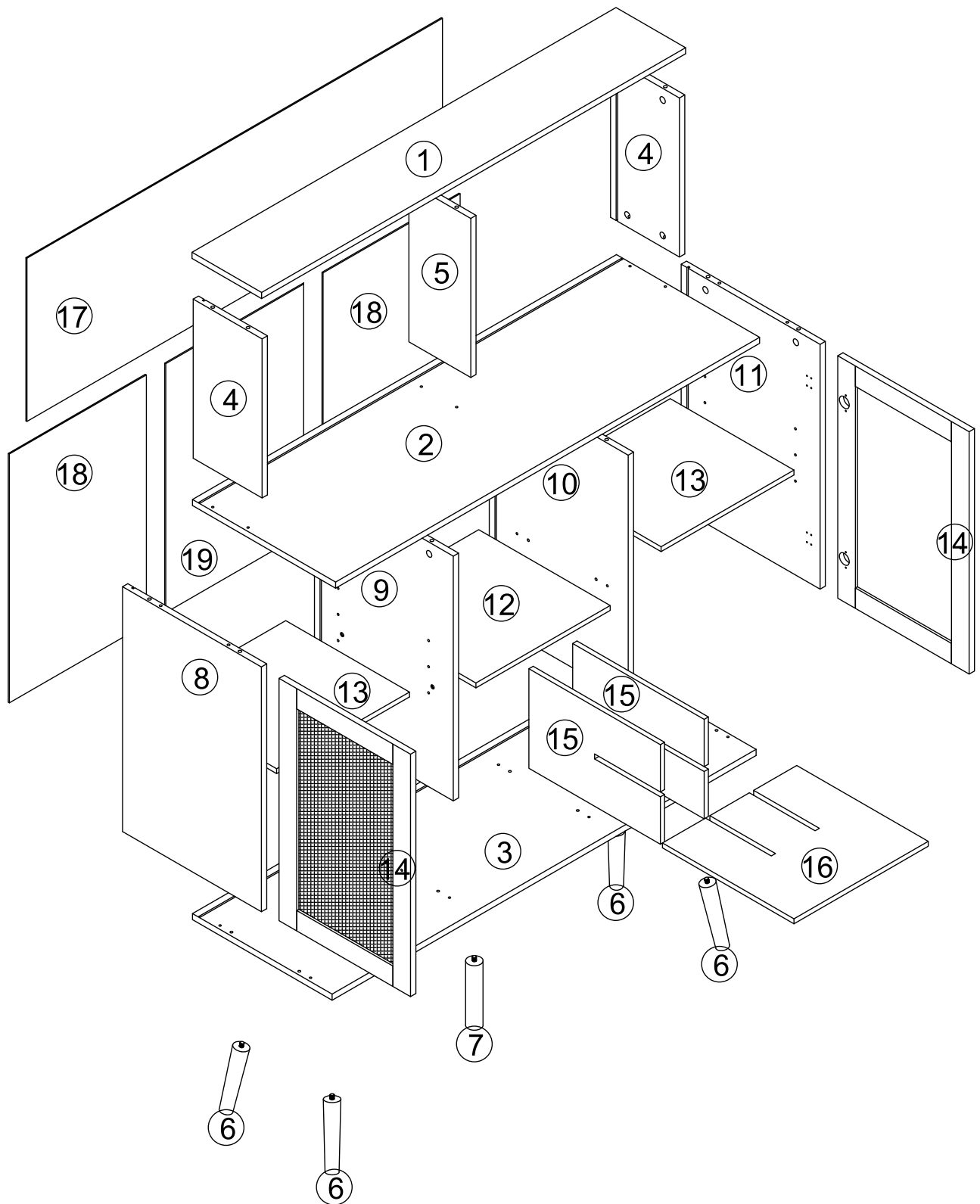
To ensure a smooth installation and optimal use of this product, please carefully read the precautions and detailed operation instructions in this manual. We hope you have a great experience!

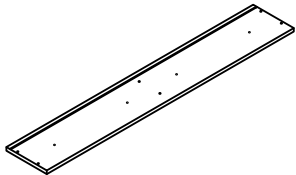
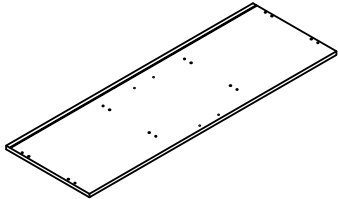
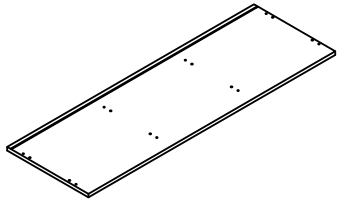
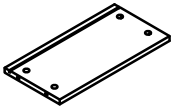
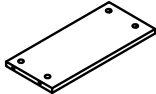


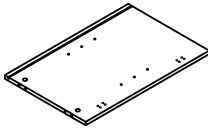
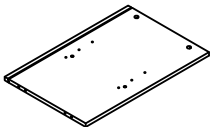
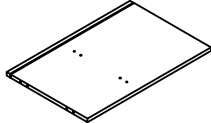
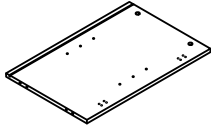
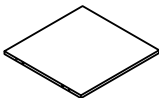
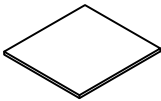
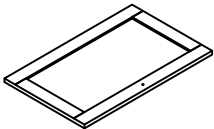
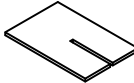
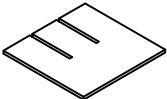
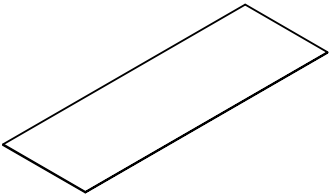
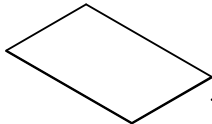
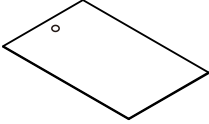
This assembly guide includes the Part List, Installation Steps, and Warning Tips.

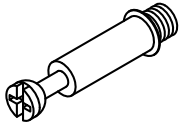


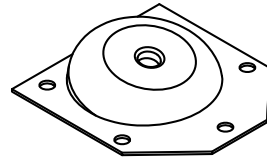

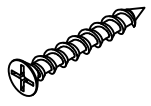

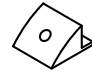

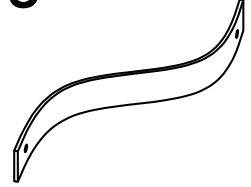
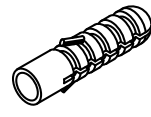
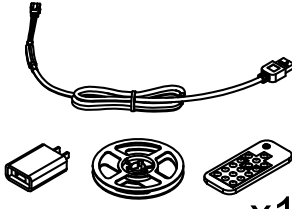
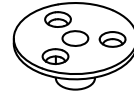

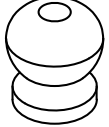

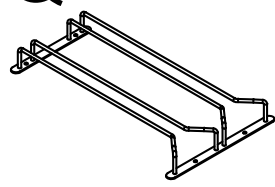
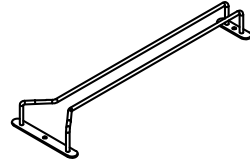
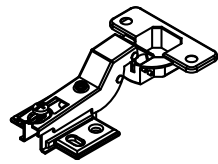



To ensure your package arrives safely and intact, this item will be shipped in two boxes. Please check your package upon receipt. If you have any questions or issues after receiving our product, please feel free to contact us. We will respond within 24 hours and provide you with a suitable solution.

INSTALLATION

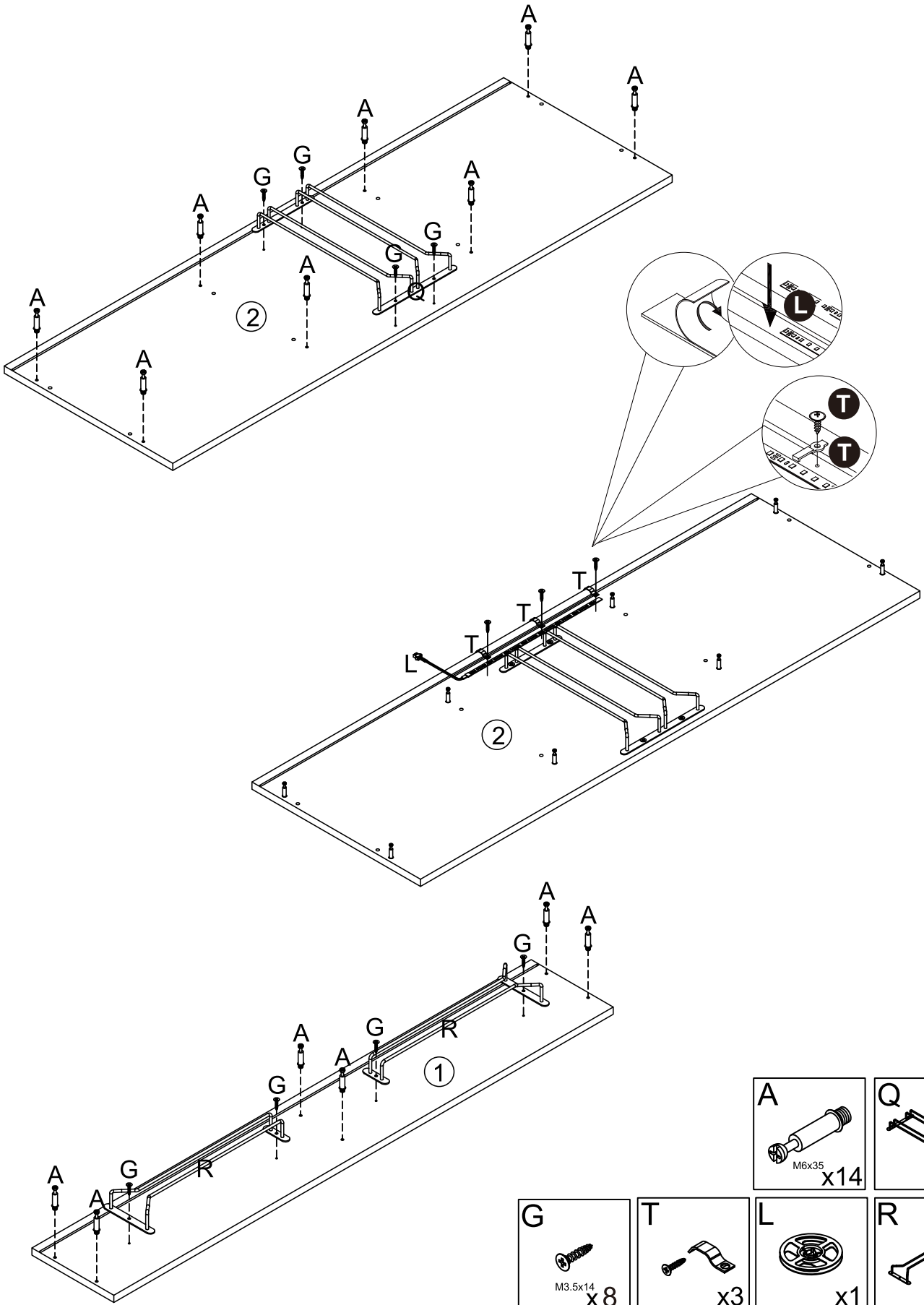
Pre-installation Inspection



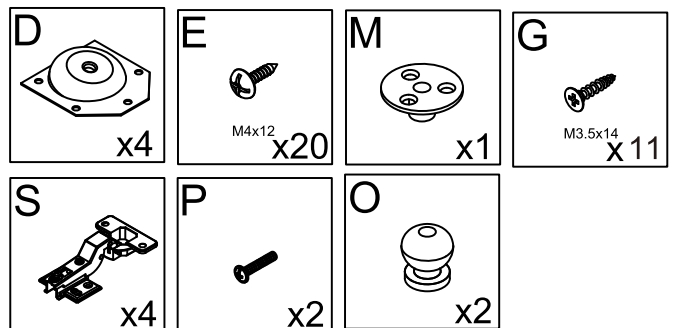
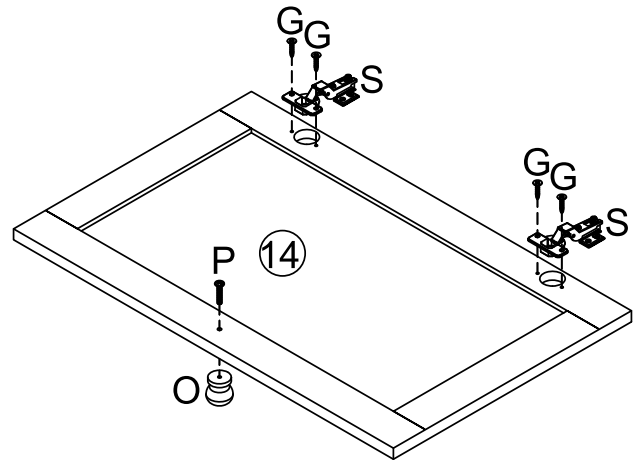
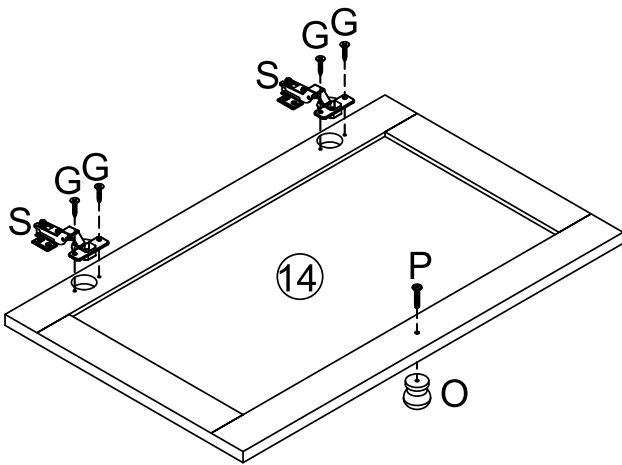
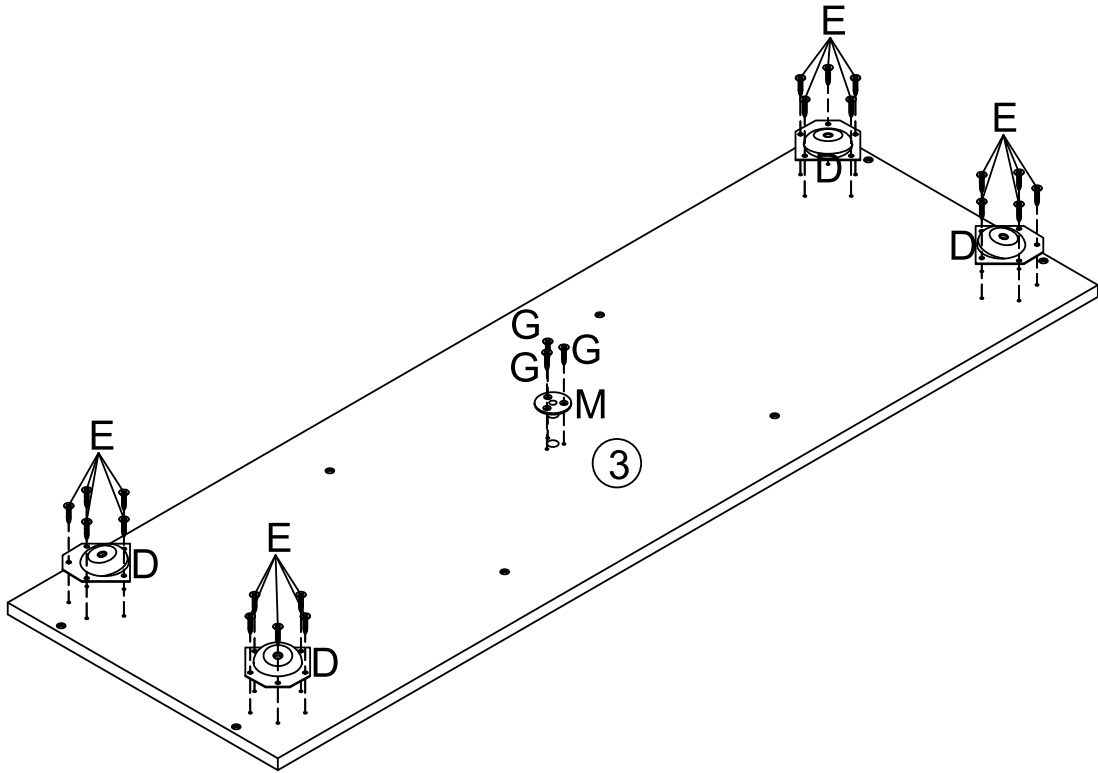
			
1 1 PC	2 1 PC	3 1 PC	4 2 PCS
			
5 1 PC	6 4 PCS	7 1 PC	8 1 PC
			
9 1 PC	10 1 PC	11 1 PC	12 1 PC
			
13 2 PCS	14 2 PCS	15 2 PCS	16 1 PC
			
17 1 PC	18 2 PCS	19 1 PC	

<p>A</p>  <p>M6x35 x20+1</p>	<p>B</p>  <p>Ø15x10 x20+1</p>	<p>C</p>  <p>Ø6x30 x20+2</p>	<p>D</p>  <p>x4</p>	<p>E</p>  <p>M4x12 x22+1</p>
<p>F</p>  <p>M4x35 x14</p>	<p>G</p>  <p>M3.5x14 x35+2</p>	<p>H</p>  <p>x8</p>	<p>I</p>  <p>x5</p>	<p>J</p>  <p>x2</p>
<p>K</p>  <p>x2</p>	<p>L</p>  <p>x1</p>	<p>M</p>  <p>x1</p>	<p>N</p>  <p>x8</p>	<p>O</p>  <p>x2</p>
<p>P</p>  <p>x2</p>	<p>Q</p>  <p>x1</p>	<p>R</p>  <p>x2</p>	<p>S</p>  <p>x4</p>	<p>T</p>  <p>x3 SET</p>
<p>U</p>  <p>M3x12 x8</p>	<p>V</p>  <p>x12</p>			

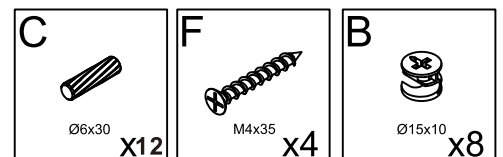
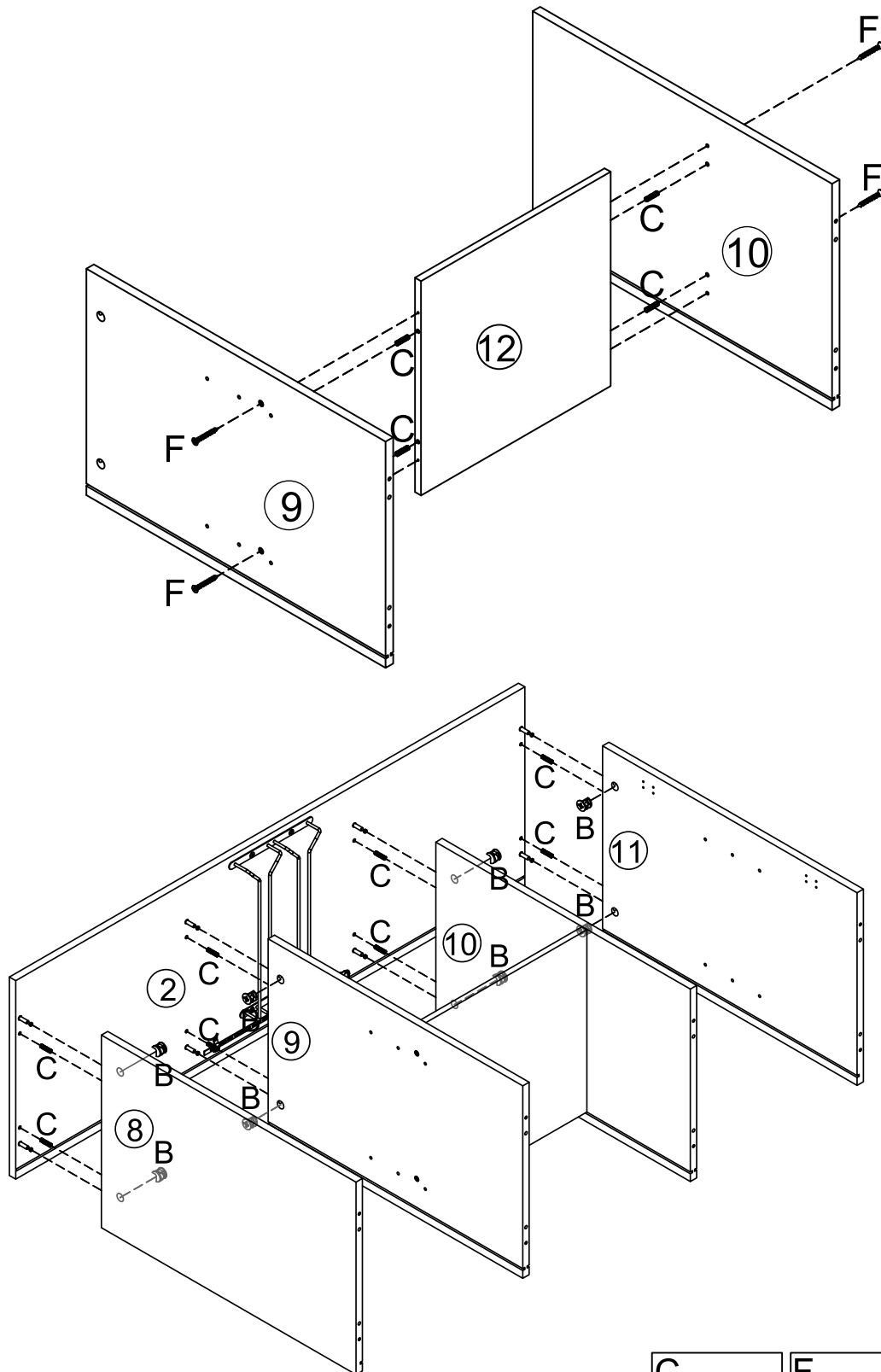
STEP 1



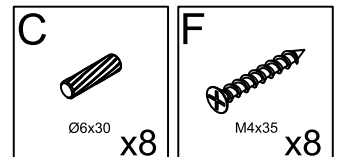
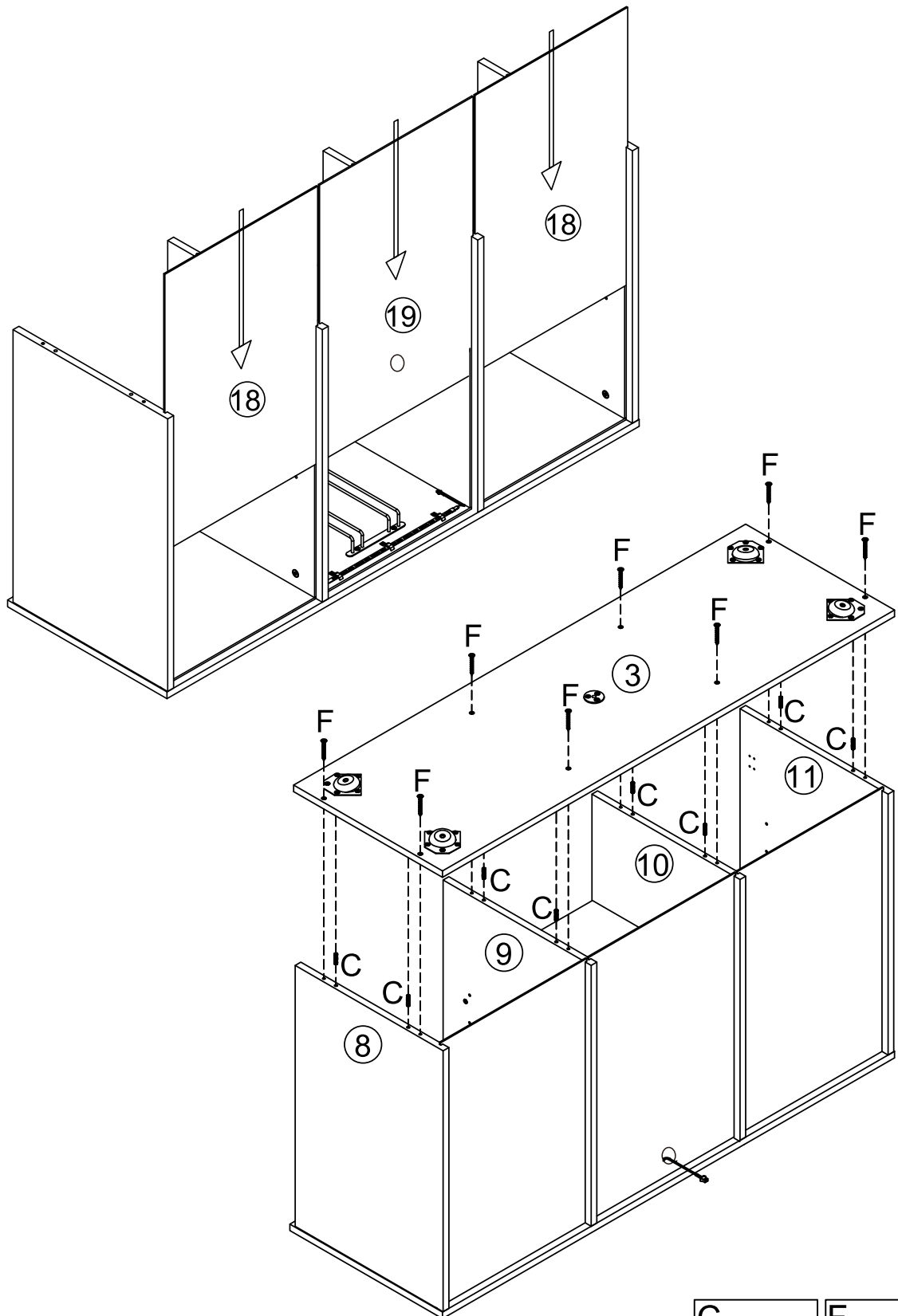
STEP 2



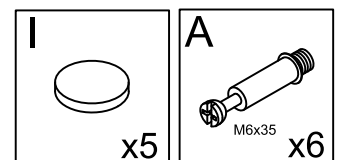
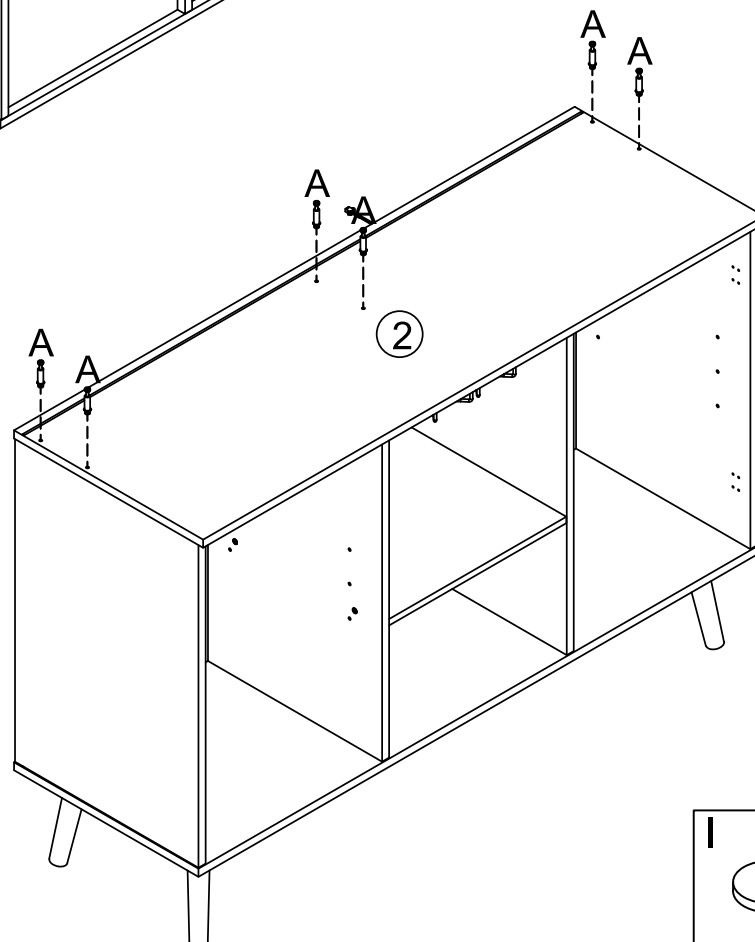
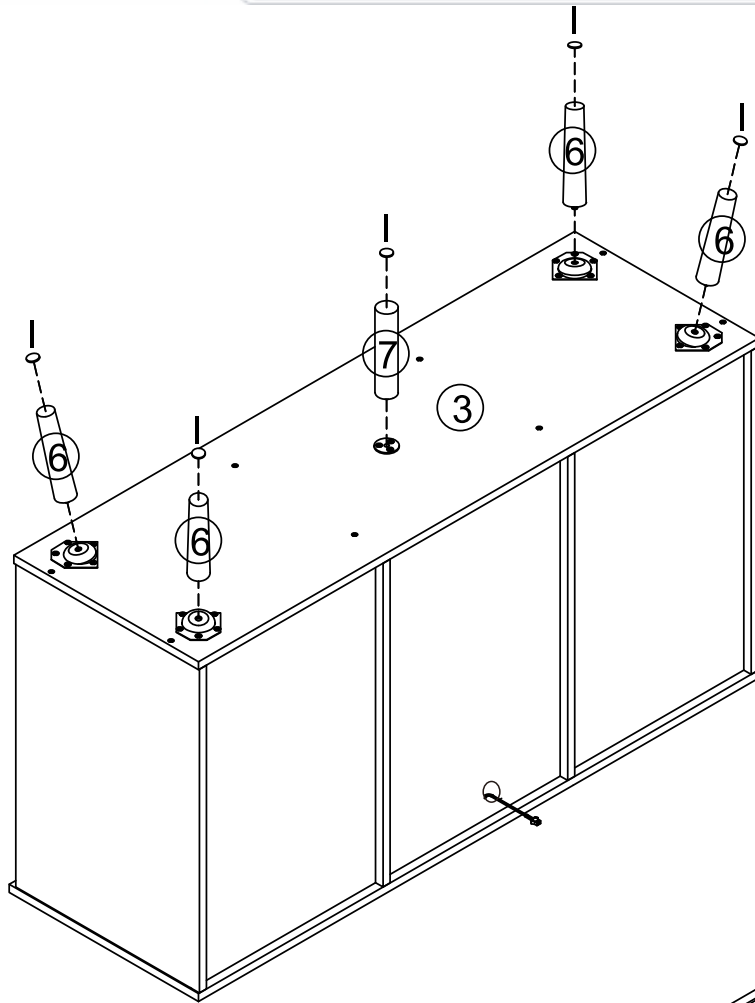
STEP 3



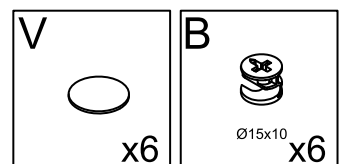
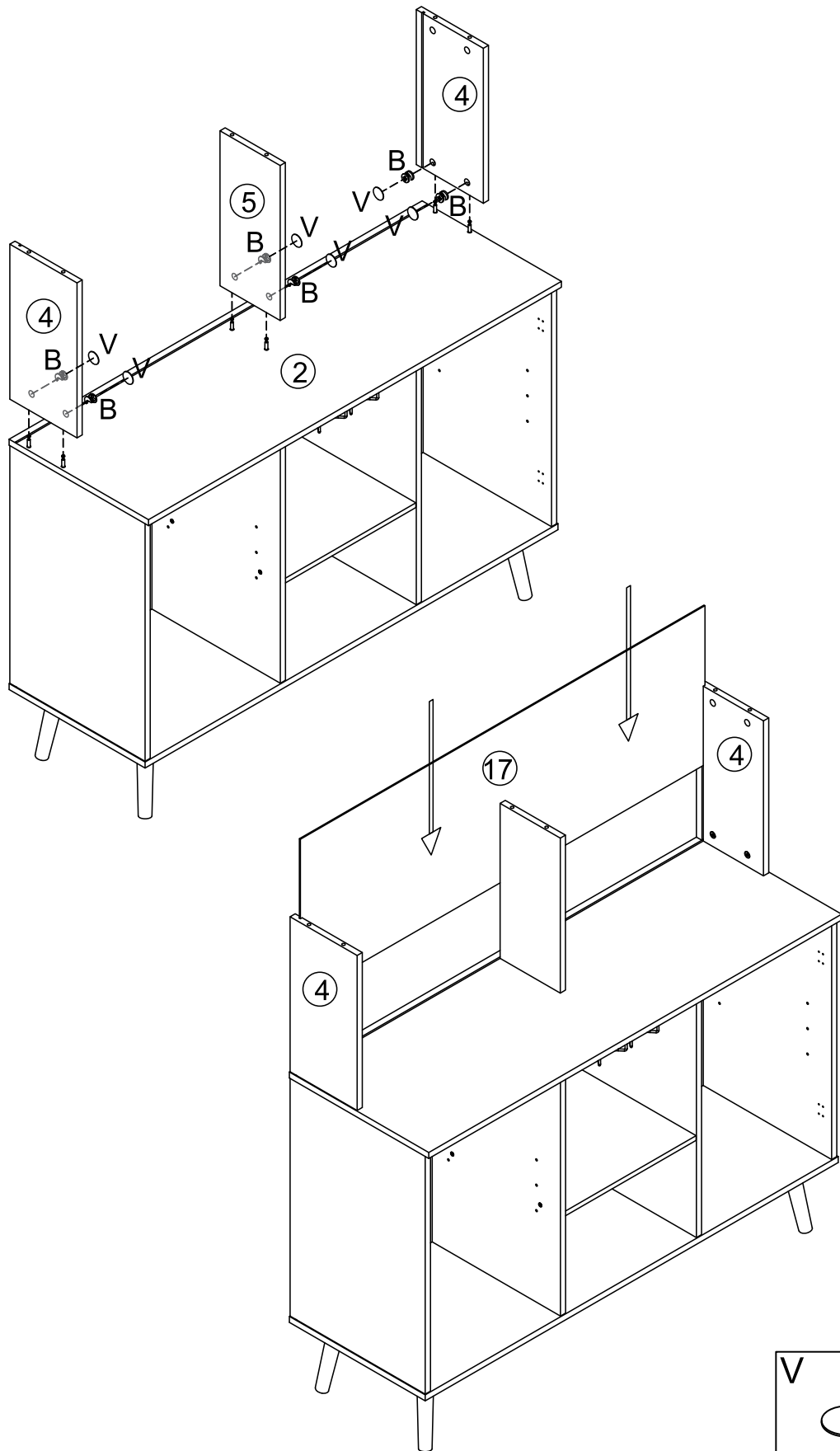
STEP 4



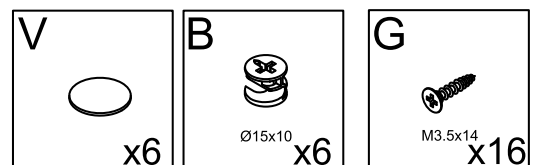
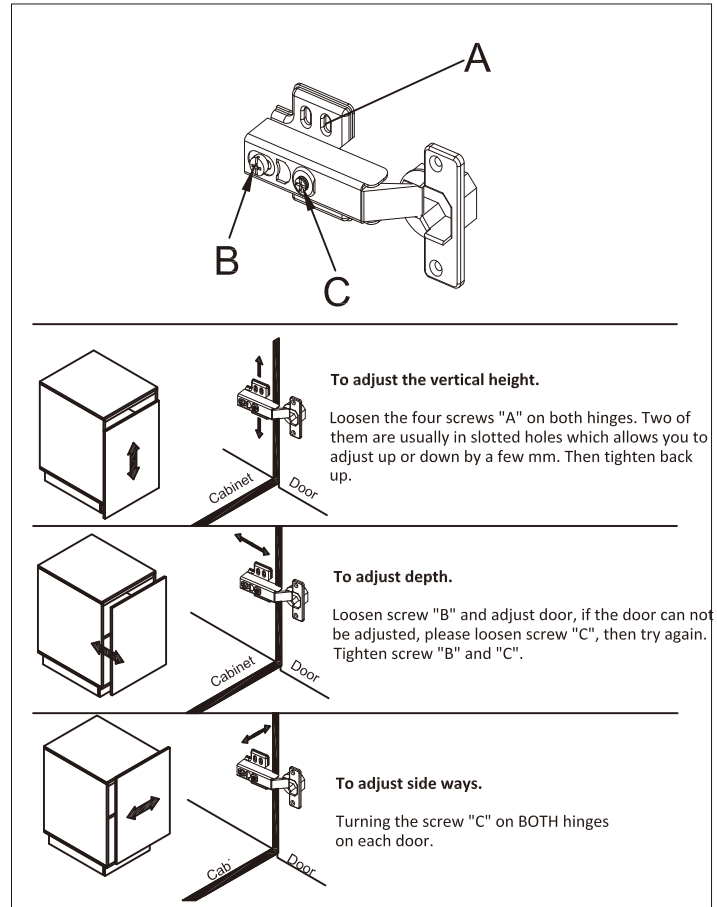
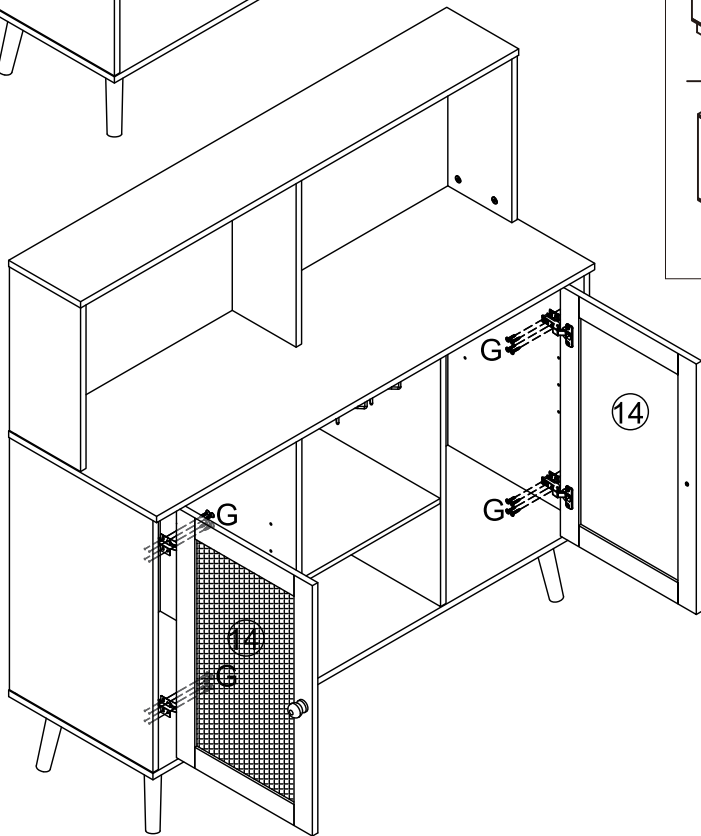
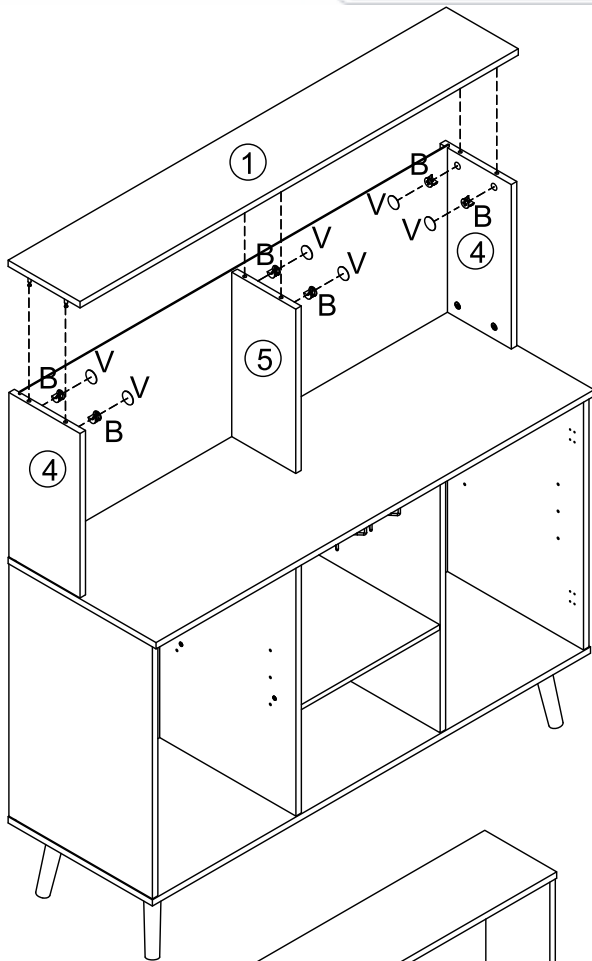
STEP 5



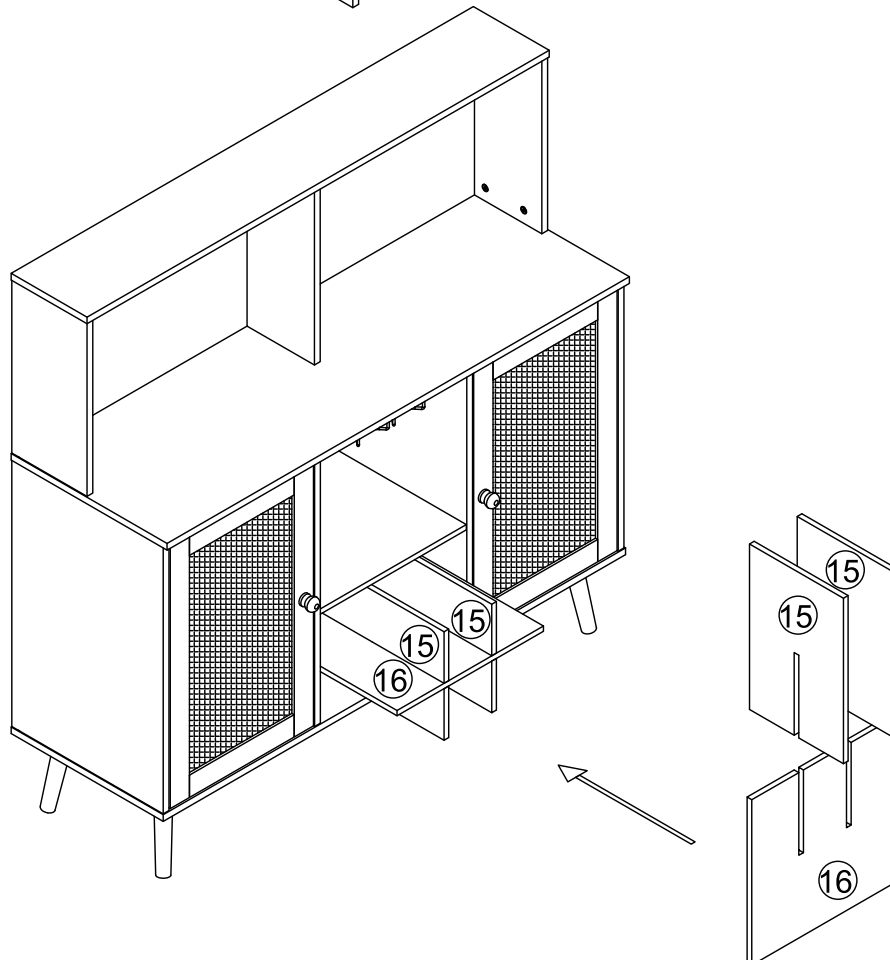
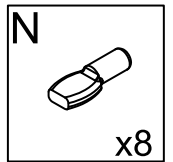
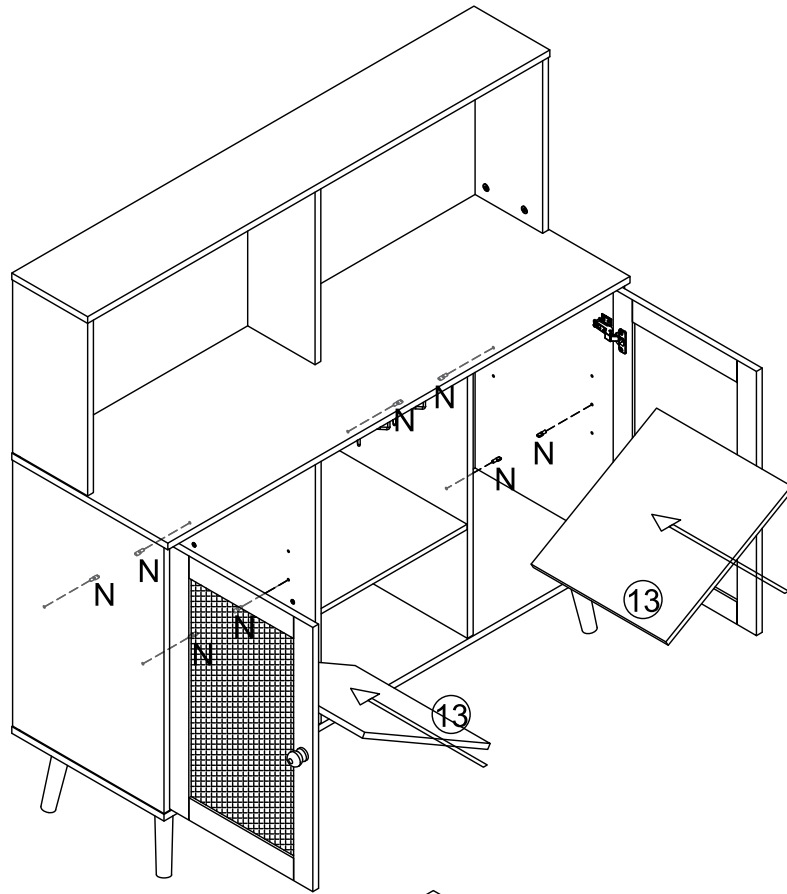
STEP 6



STEP 7



STEP 8



STEP 9

