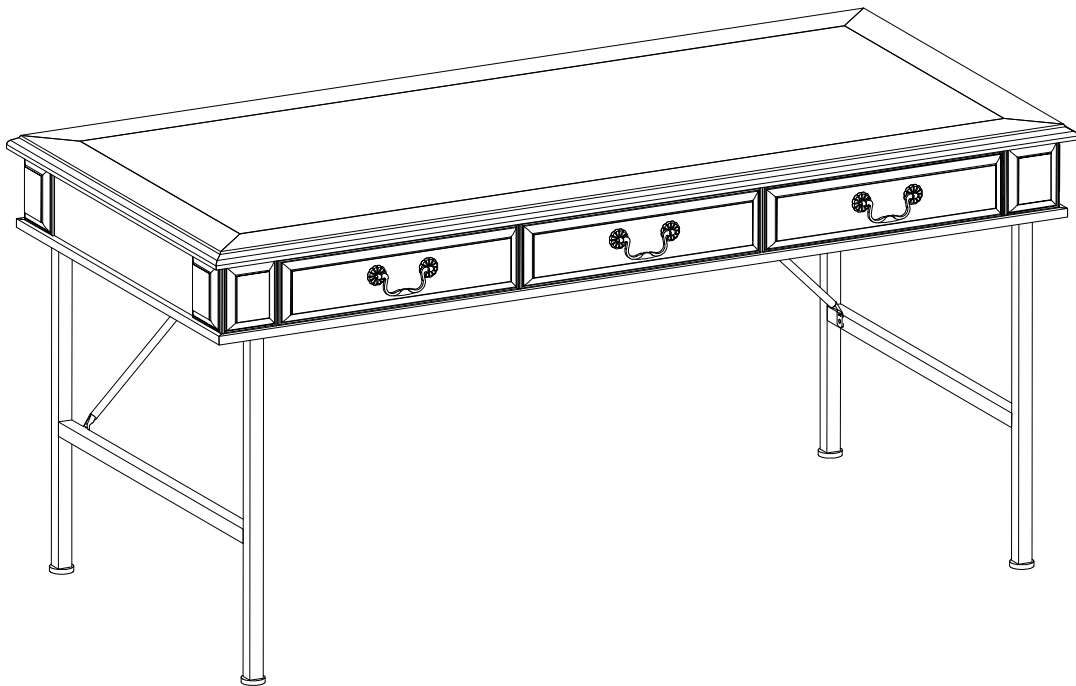


ASSEMBLY INSTRUCTIONS

Important Safety Instructions:

- Please read all instructions before beginning assembly
- Please make sure receive all the parcels to start the assembly
- For your safety and convenience, assembly by two people is recommended
- Use the parts and hardware lists to identify and separate each of the components included
- Save all packing materials until assembly is completed to avoid the accidental discarding of smaller parts or hardware



THANK YOU FOR PURCHASING

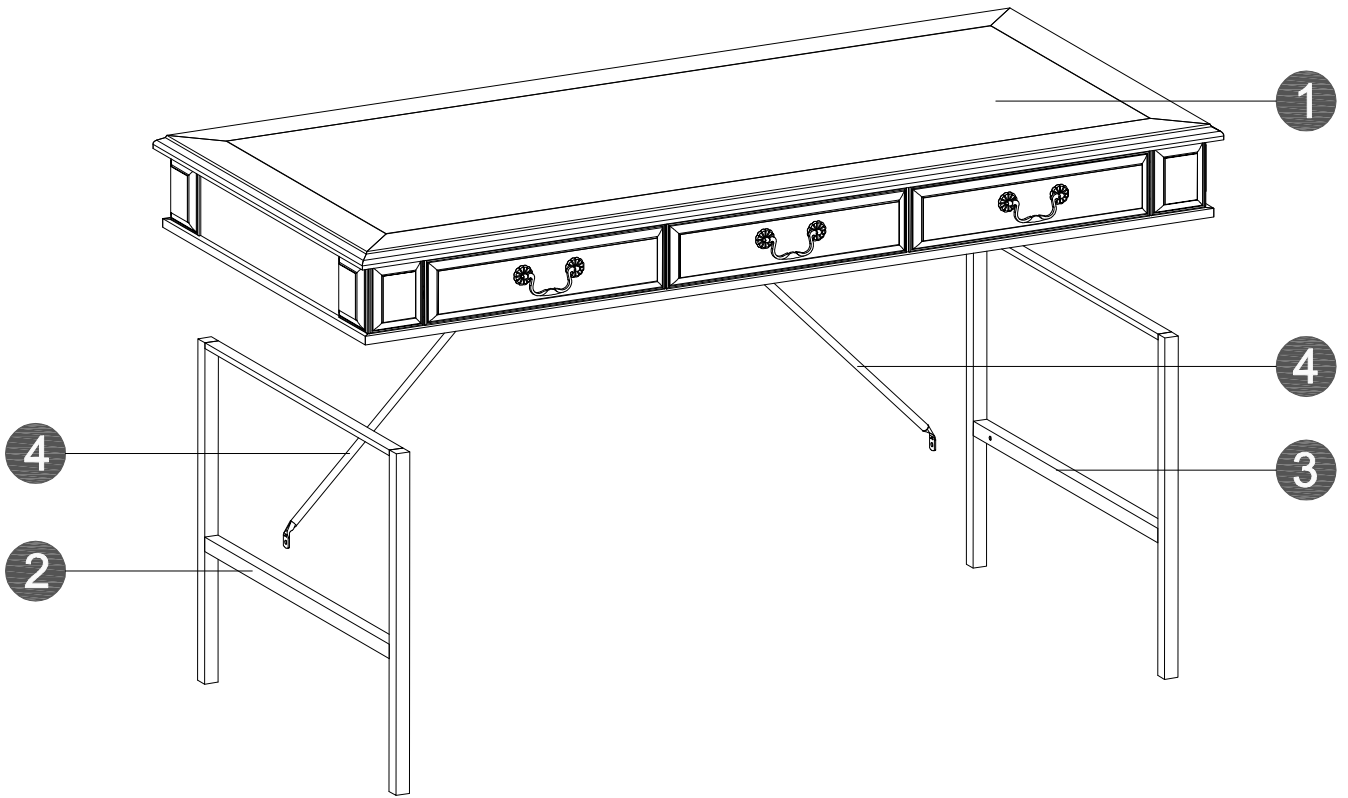
PARTS LIST

① X1

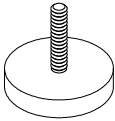
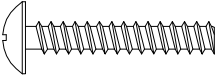
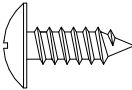
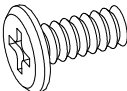
② X1

③ X1

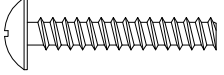
④ X2

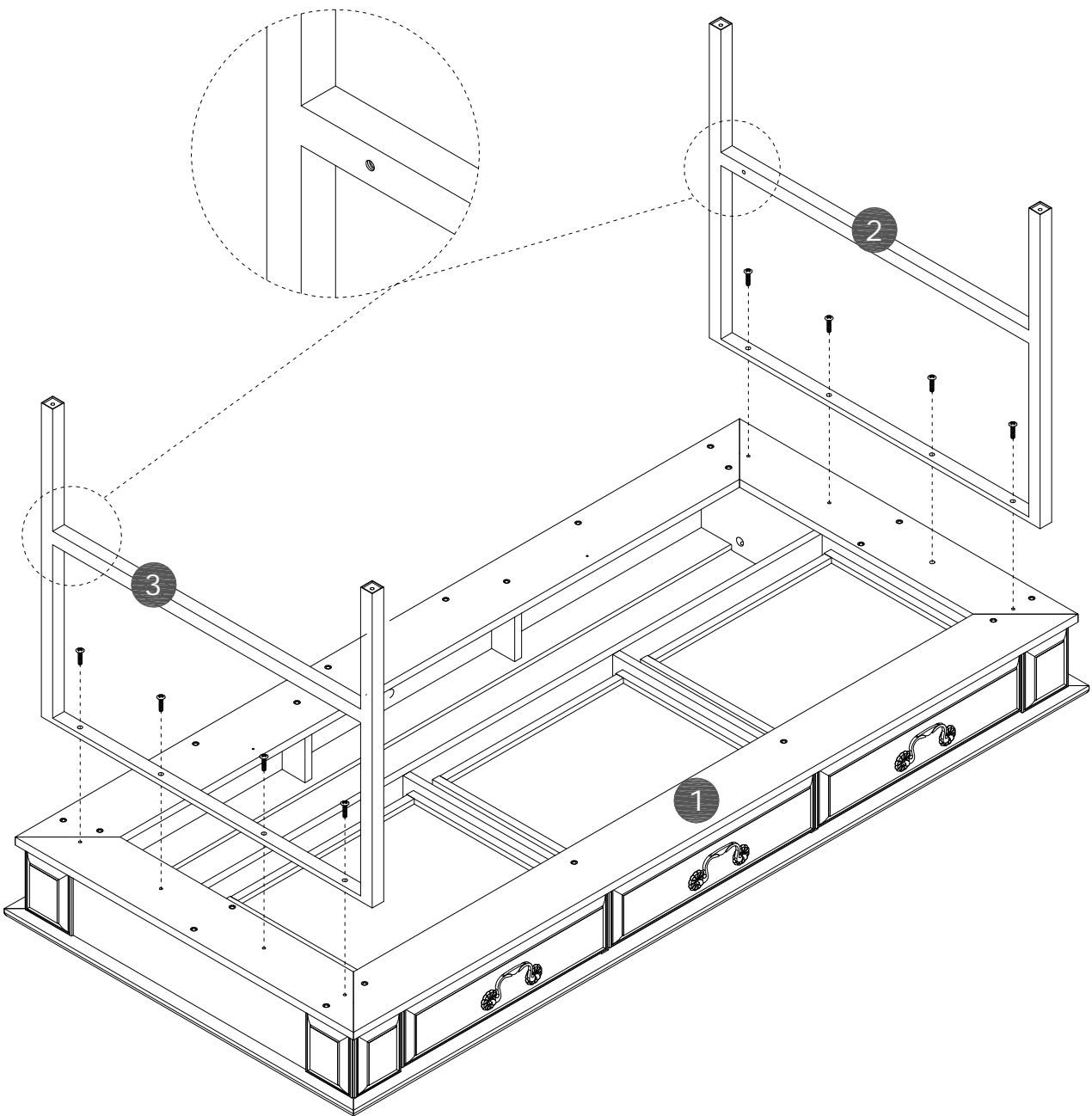


HARDWARE LIST

Name	Part	Qty.	Spare
A		4	
B	 1" Screw	8	
C	 9/16" Screw	2	
D	 5/8" Bolt	2	

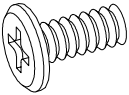
STEP 1

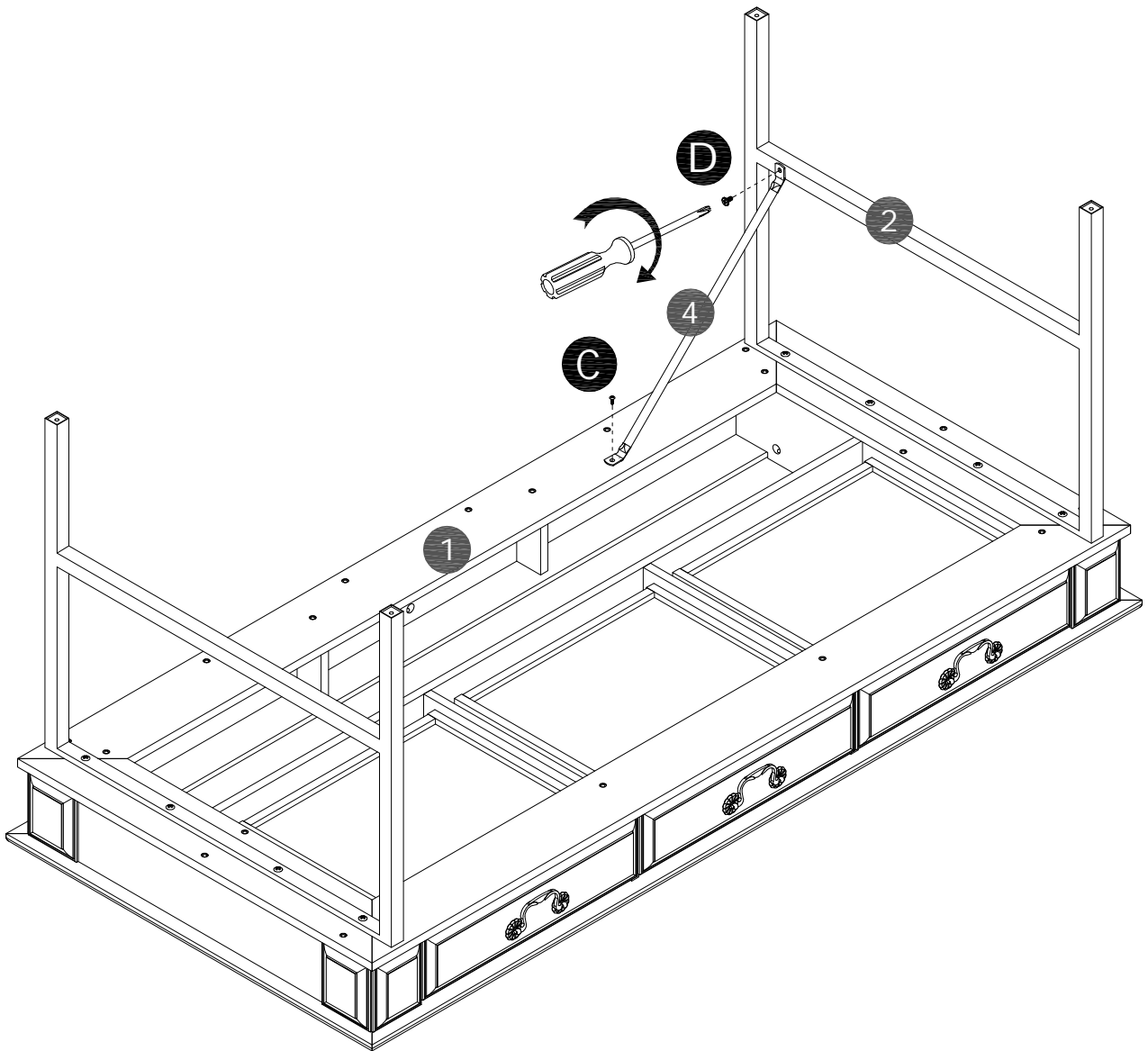
B x 8pcs 



STEP 2

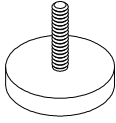
C x 1pc 

D x 1pc 

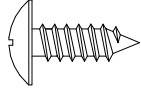


STEP 3

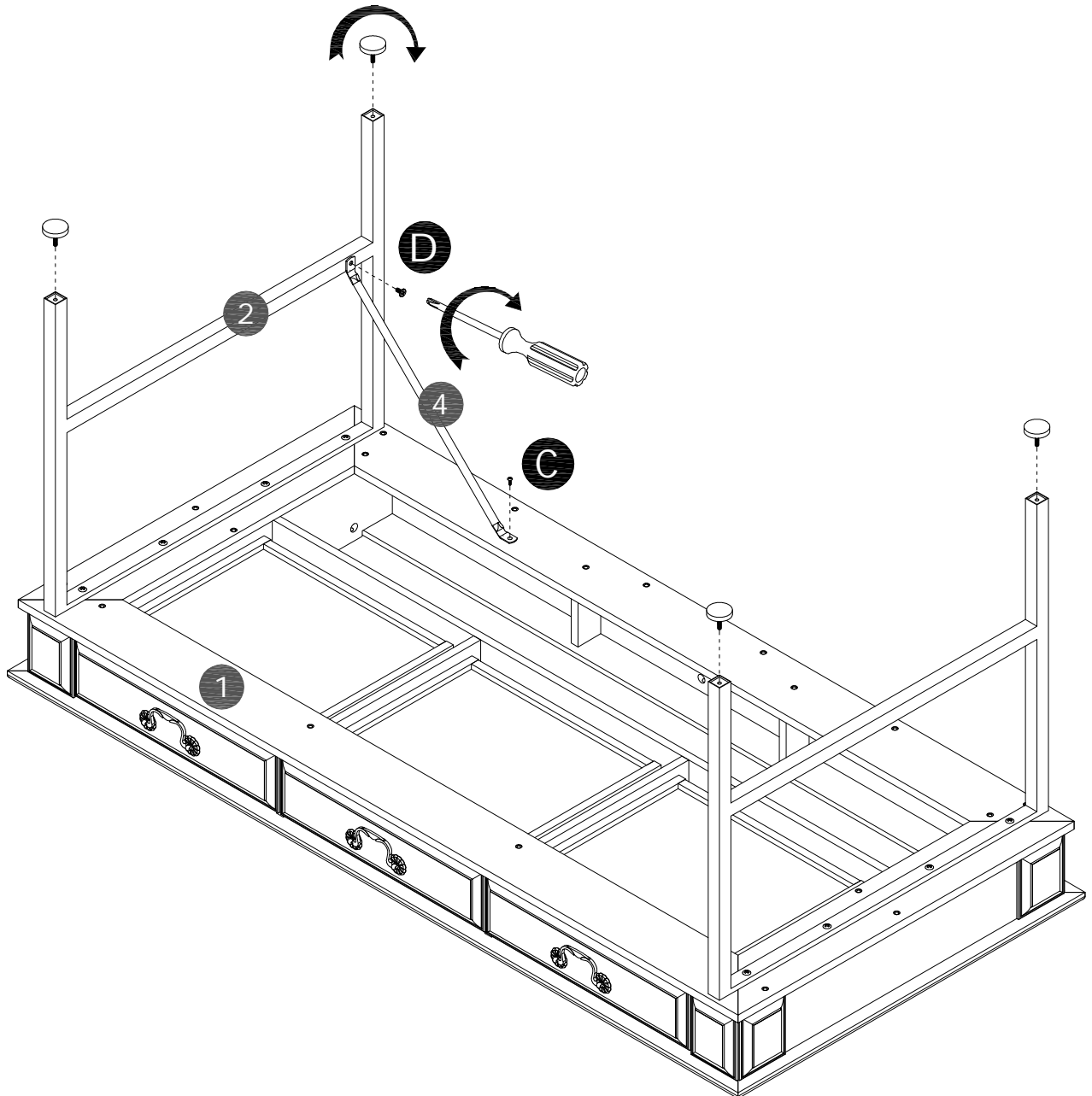
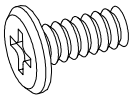
A x 4pcs



C x 1pc



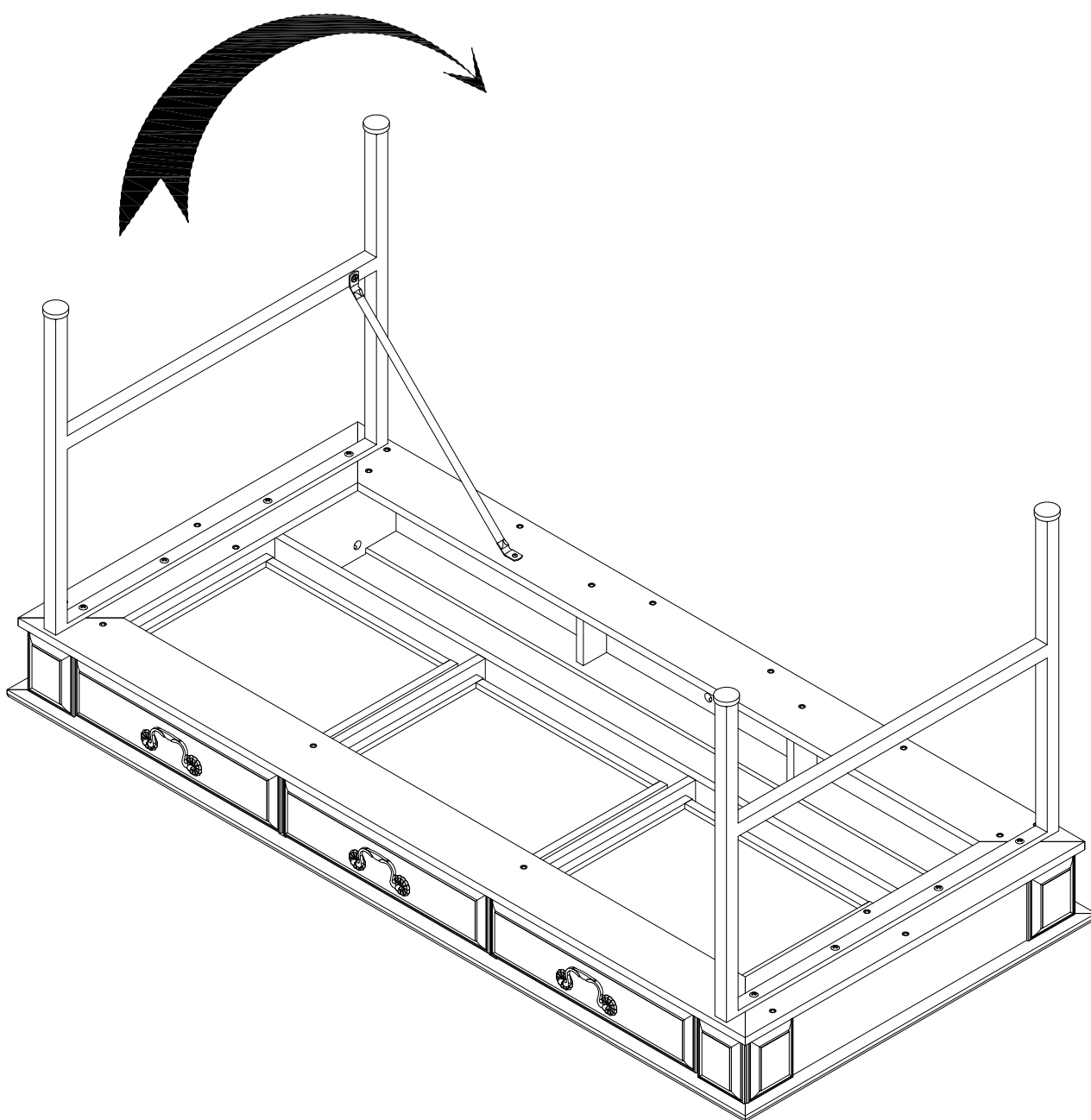
D x 1pc



STEP 4

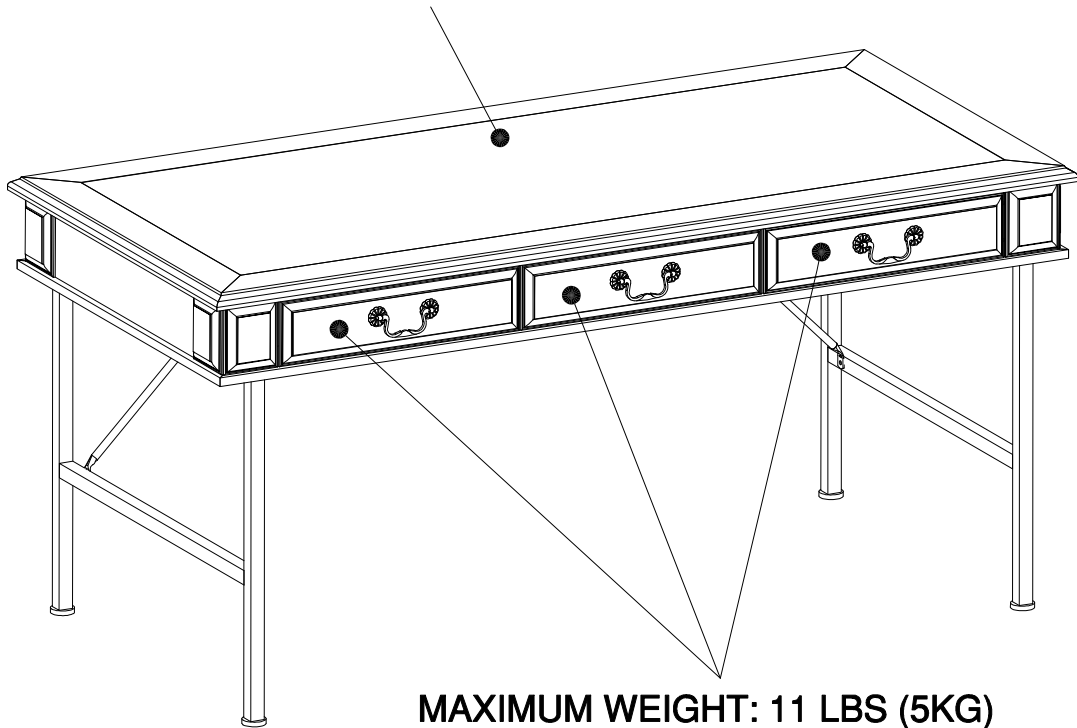
With assistant carefully stand unit up.

Turned back 180 degrees



Maximum weight capacities

MAXIMUM WEIGHT: 150 LBS (68KG)



MAXIMUM WEIGHT: 11 LBS (5KG)