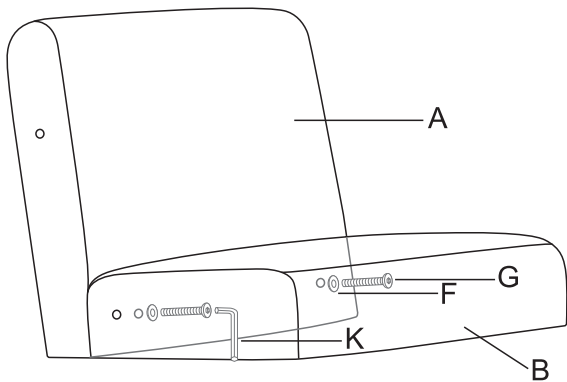
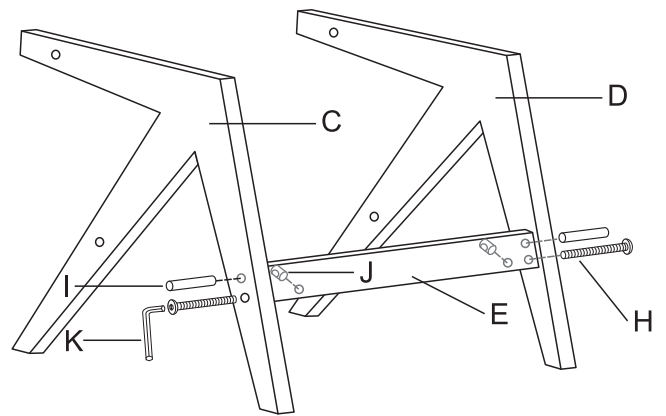


ASSEMBLY INSTRUCTION

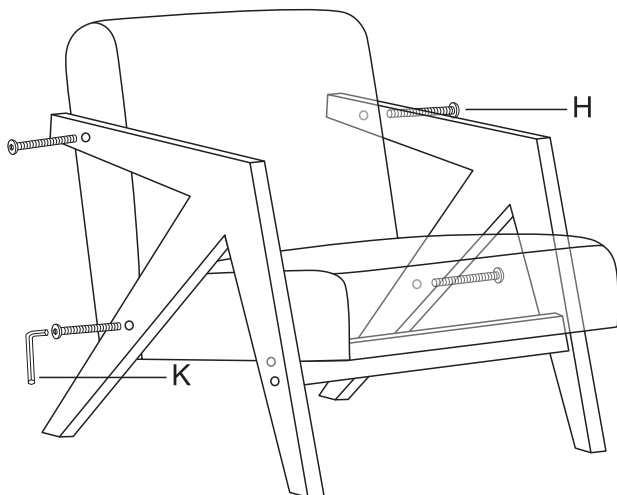
1.



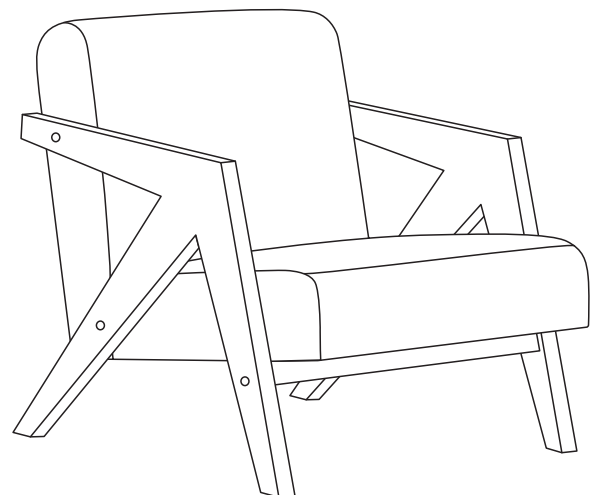
2.



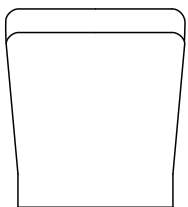
3.



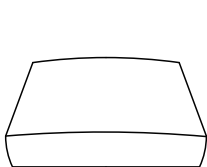
4.



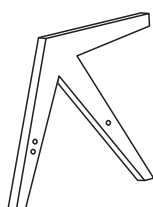
Ax1



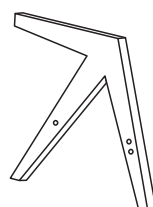
Bx1



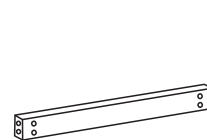
Cx1



Dx1



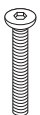
Ex1



Fx2

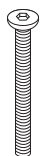


Gx2



M8x40mm

Hx6



M8x55mm

Ix2



M10x40mm

Jx2



Kx1

