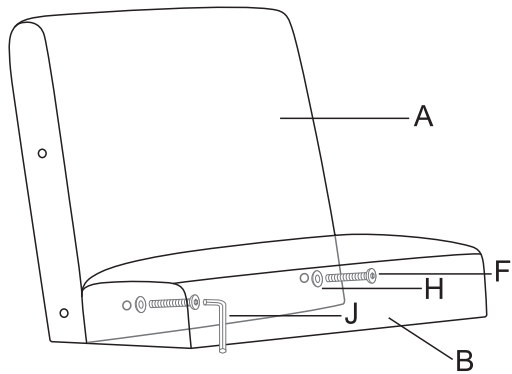
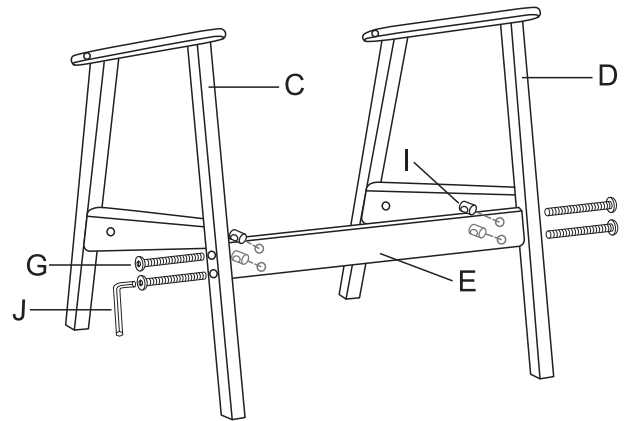


# ASSEMBLY INSTRUCTION

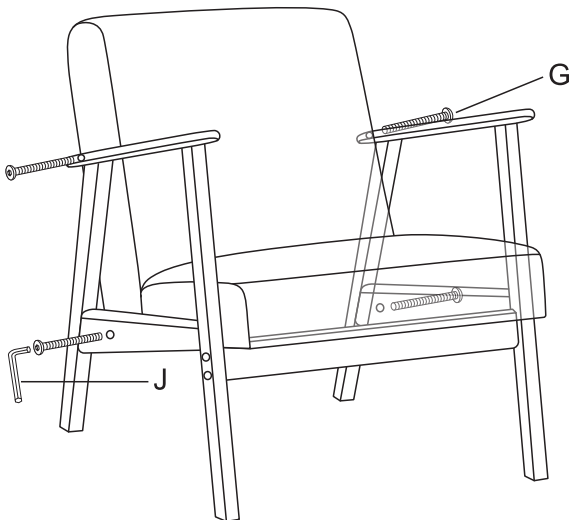
1.



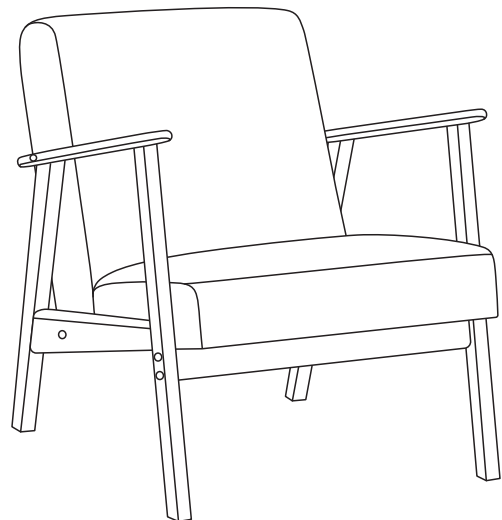
2.



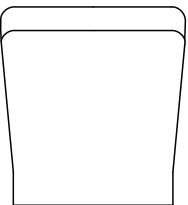
3.



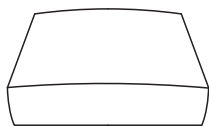
4.



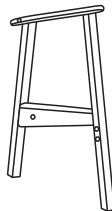
Ax1



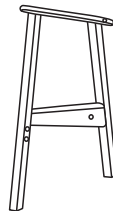
Bx1



Cx1



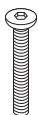
Dx1



Ex1

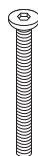


Fx2



M8x40mm

Gx8



M8x55mm

Hx2



Ix4



Jx1

