

---

# Assembly Manual

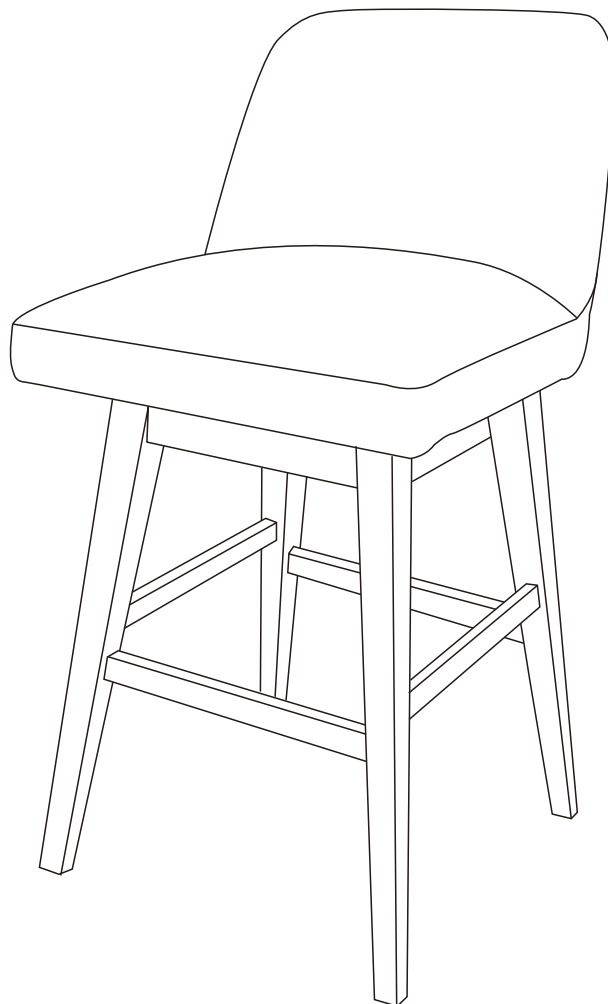
## Swivel Bar & Counter Stool

**STYLE#WS8425CRHJWF1**

**STYLE#WS8425CRHJWF2**

**STYLE#WS8425BKHJWF1**

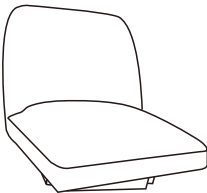
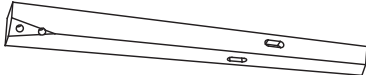

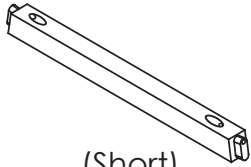
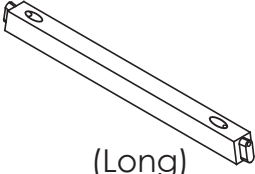


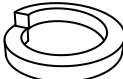


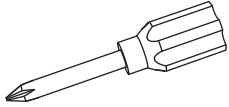
**STYLE#WS8425BKHJWF2**



**▲ CAUTION**

THIS ASSEMBLY MANUAL CONTAINS IMPORTANT SAFETY INFORMATION.

PLEASE READ AND KEEP FOR FUTURE REFERENCE.

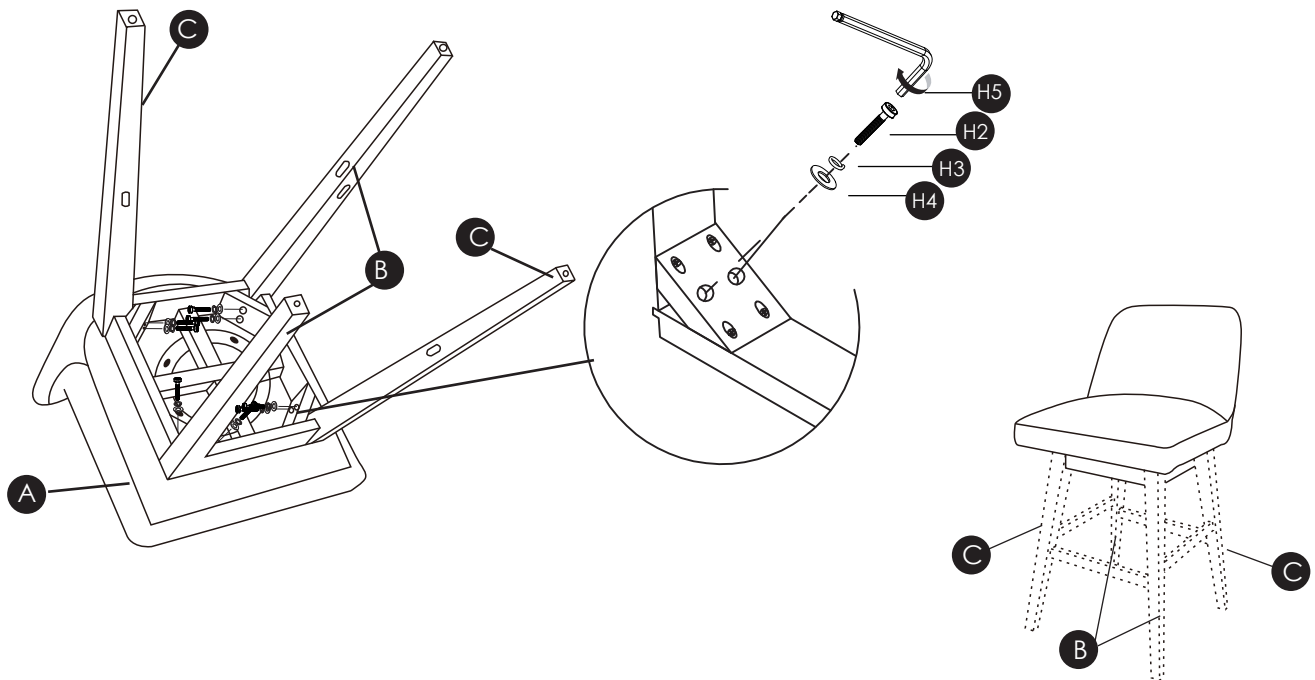
<p>A X 1</p> 	<p>B X 2</p> 	<p>C X 2</p> 
<p>D X 2</p>  <p>(Short)</p>	<p>E x 2</p>  <p>(Long)</p>	<p>H1 x 8</p>  <p>Screw (M4x45mm)</p>
<p>H2 x 8</p>  <p>Bolt (M8x55mm)</p>	<p>H3 x 8</p>  <p>Lock washer (M8)</p>	<p>H4 x 8</p>  <p>Flat Washer (φ8)</p>
<p>H5 x1</p>  <p>Allen Wrench (M8)</p>	 <p>Not Included</p>	

**Before you begin:**

1. Check if you have received all parts using the diagram on this page. Do not start the assembly process until all parts are present.
2. Do not discard any of the packaging until you are certain that you have all the necessary parts for the assembly.
3. Do NOT use power tools for assembly.

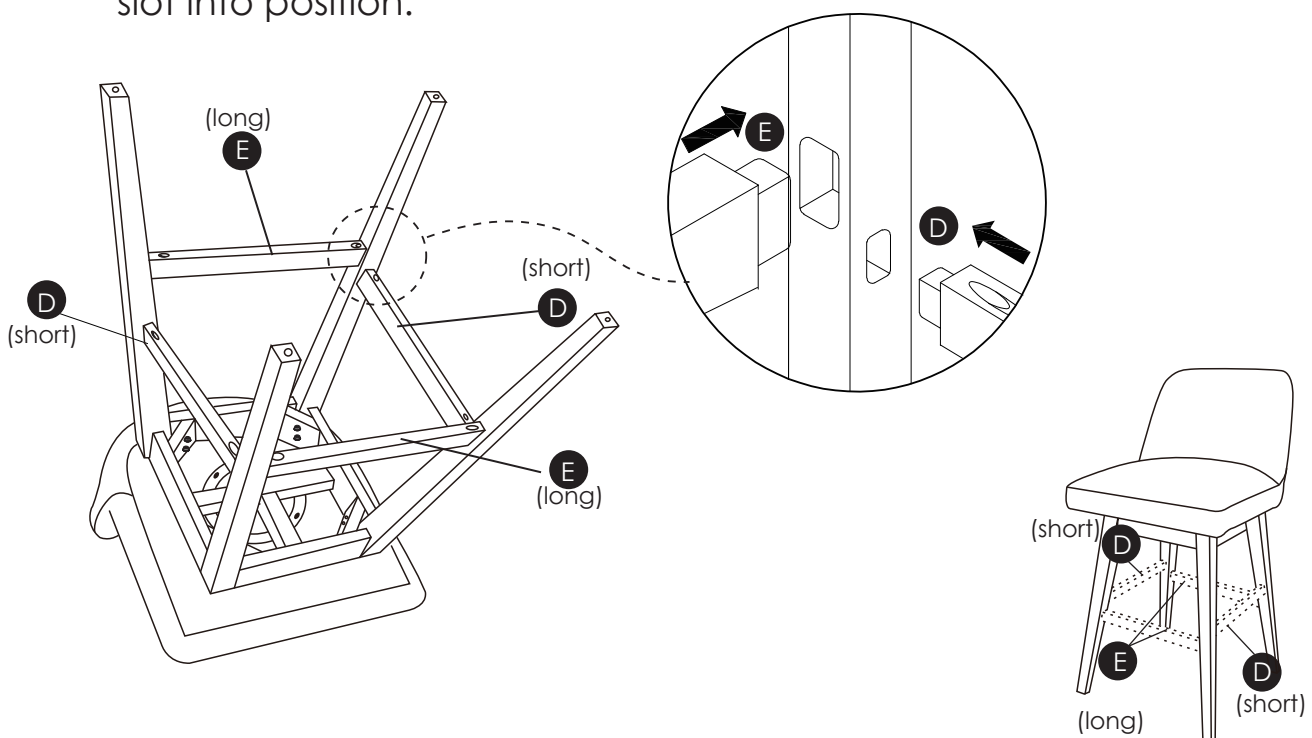
- 1 Attach Legs (B & C) to Seat (A), using bolts (H2), lock washers (H3), flat washers (H4), and allen wrench (H5).

**Note: Do not fully tighten yet, because in the second step, you need to install the side rail for D and E. Otherwise, it will be difficult to fit them in. Tighten firmly in the last step.**

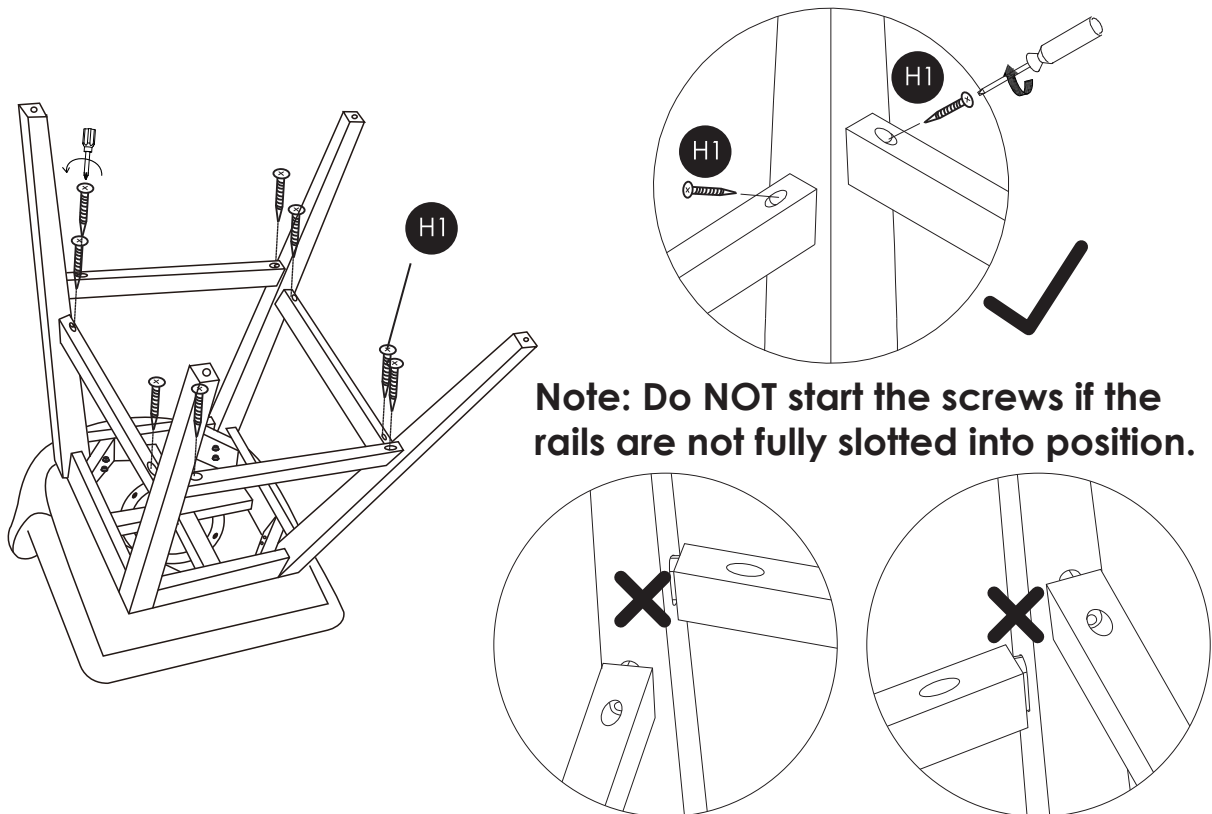


- 2 Insert **short** side rails (D) and **long** side rails (E).

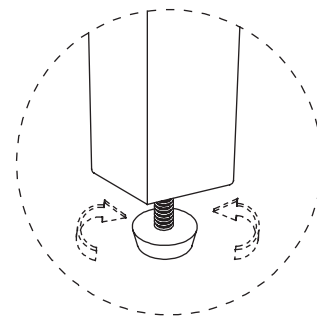
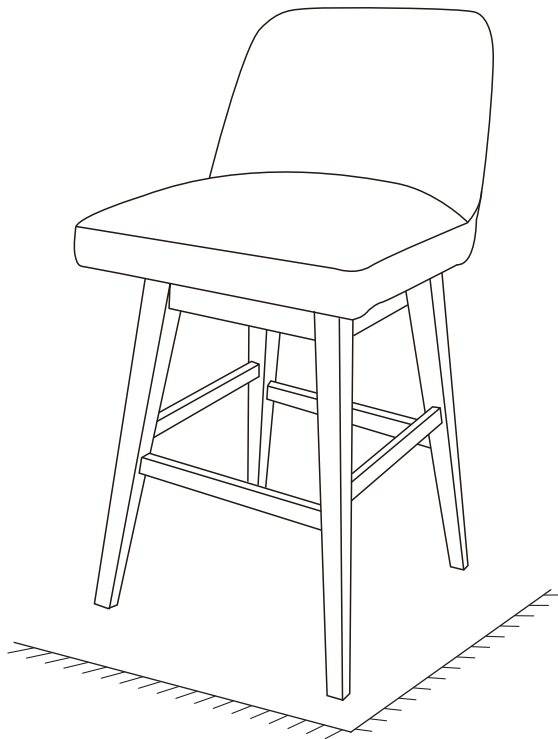
**Note:** You may need to apply a little pressure to enable the rails to slot into position.



- 3** Attach the rails using screws (H1). **Do NOT start the screws if the rails are not fully slotted into position.**  
**Note: Do not fully tighten yet.**

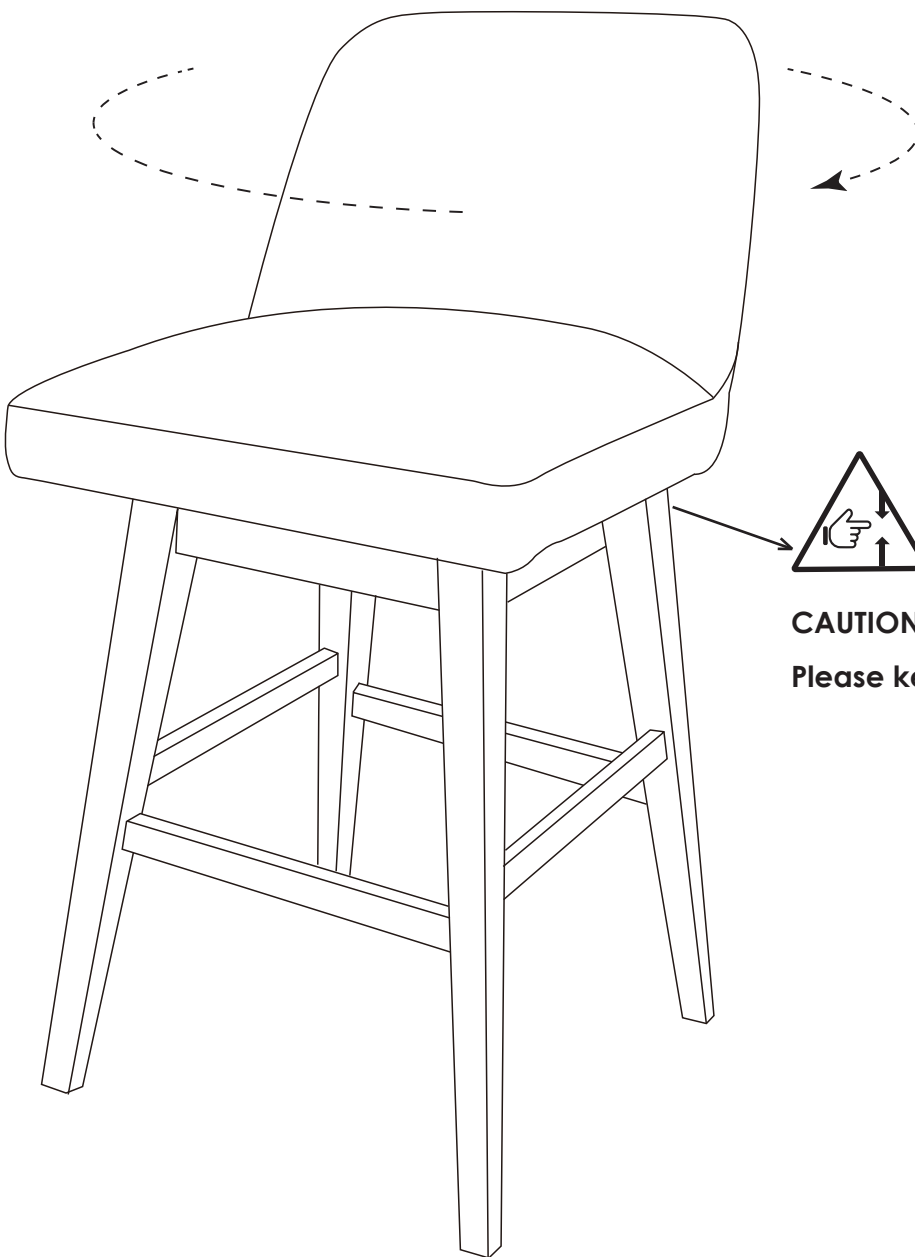


- 5** Turn assembled chair upright and place on a flat surface. Push legs up or down as necessary to level. **Once level, tighten all bolts and screws.**  
**Note:** Each leg has an adjustable foot leveler to help level your chair.



Foot levelers

**6** Assembly complete. Enjoy.



**CAUTION: PINCH POINT.**  
Please keep hands clear during swivel.