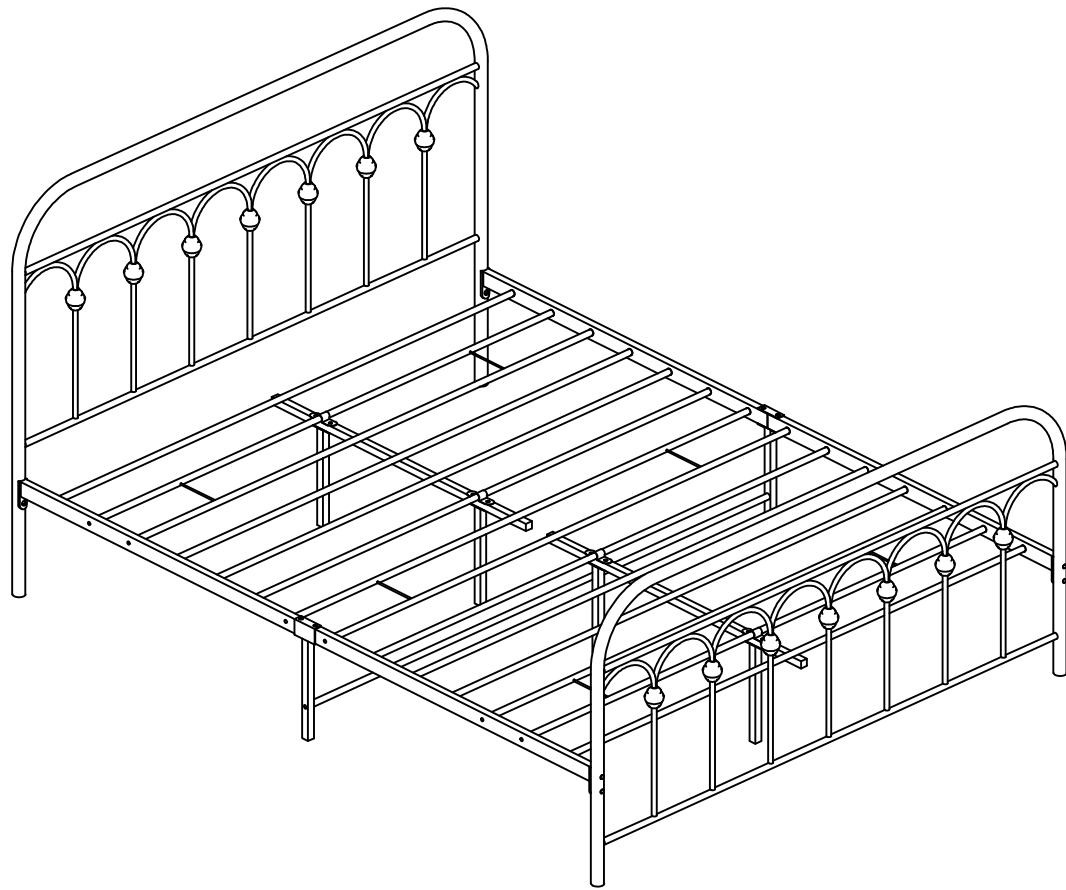
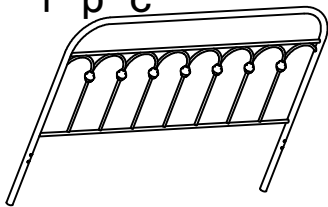


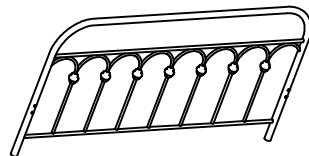
ASSEMBLY INSTRUCTION



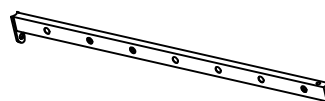
1 . 1 p c



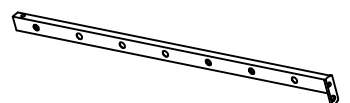
2 . 1 p c



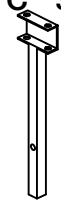
3 . 2 p c s



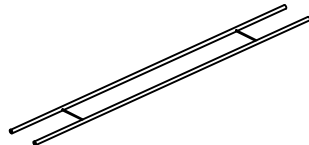
4 . 2 p c s



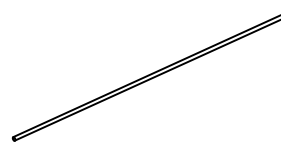
5 . 2 p c s



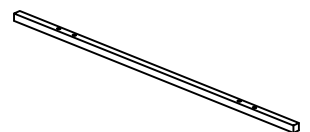
6 . 3 p c s



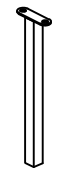
7 . 8 p c s



8 . 2 p c s



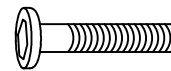
9 . 4 p c s



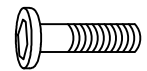
10 . 1 p c



A. M8x55
1 2 p c s



B. M8x35
8 p c s



C. M8
1 6 p c s



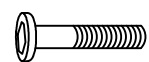
D. M8
8 p c s



E. M6x13
1 2 p c s



F. M6x35
2 p c s



G. M6
2 p c s



H. 4 p c s



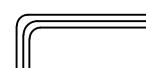
I. \varnothing 38
4 p c s



J. 20x20
1 0 p c s



K. M5
1 p c

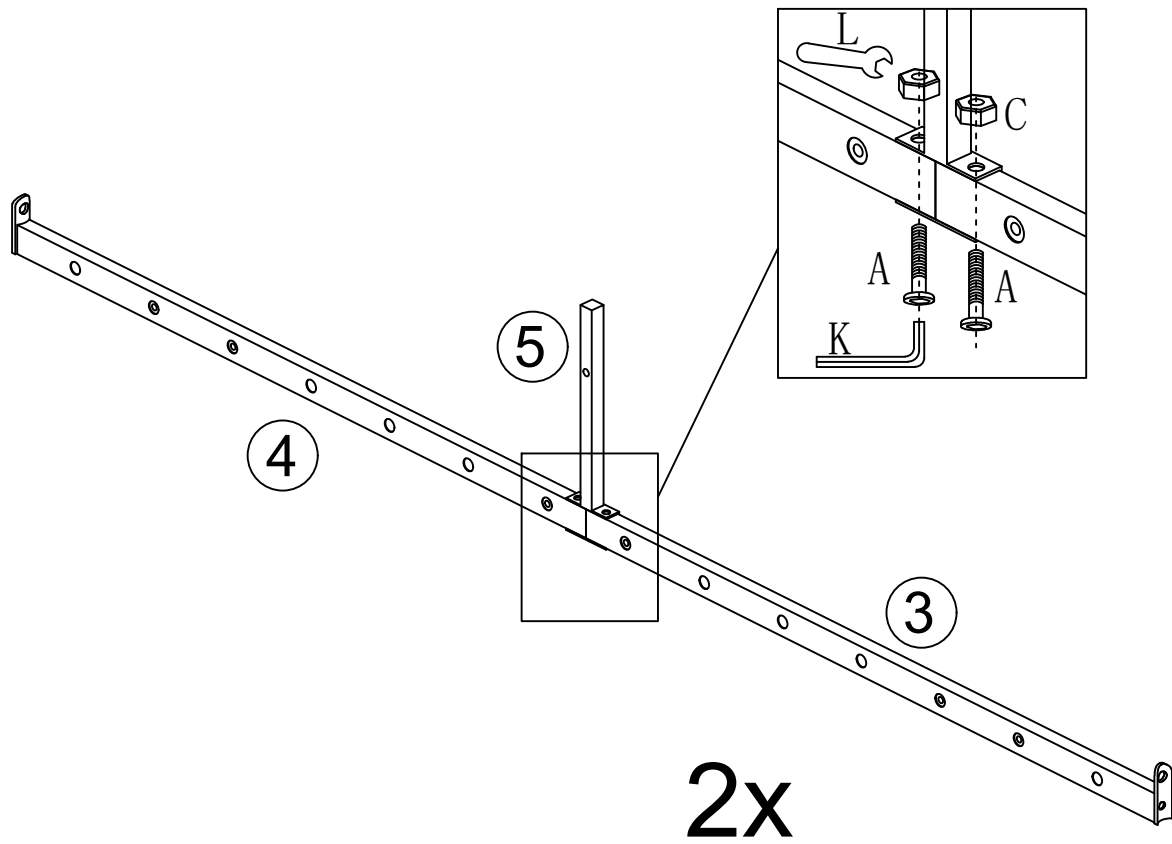


L. M8
1 p c

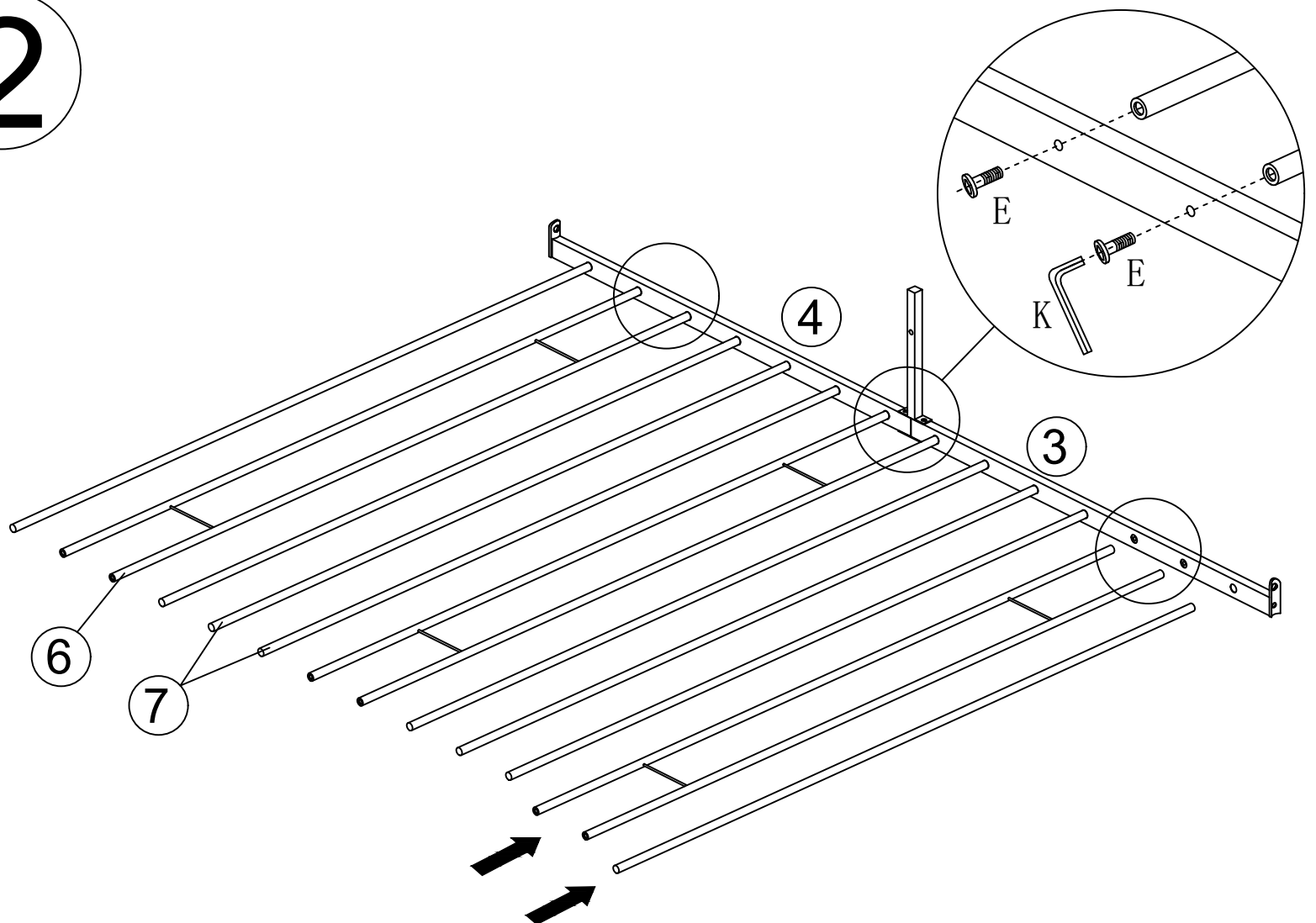


ASSEMBLY INSTRUCTION

1

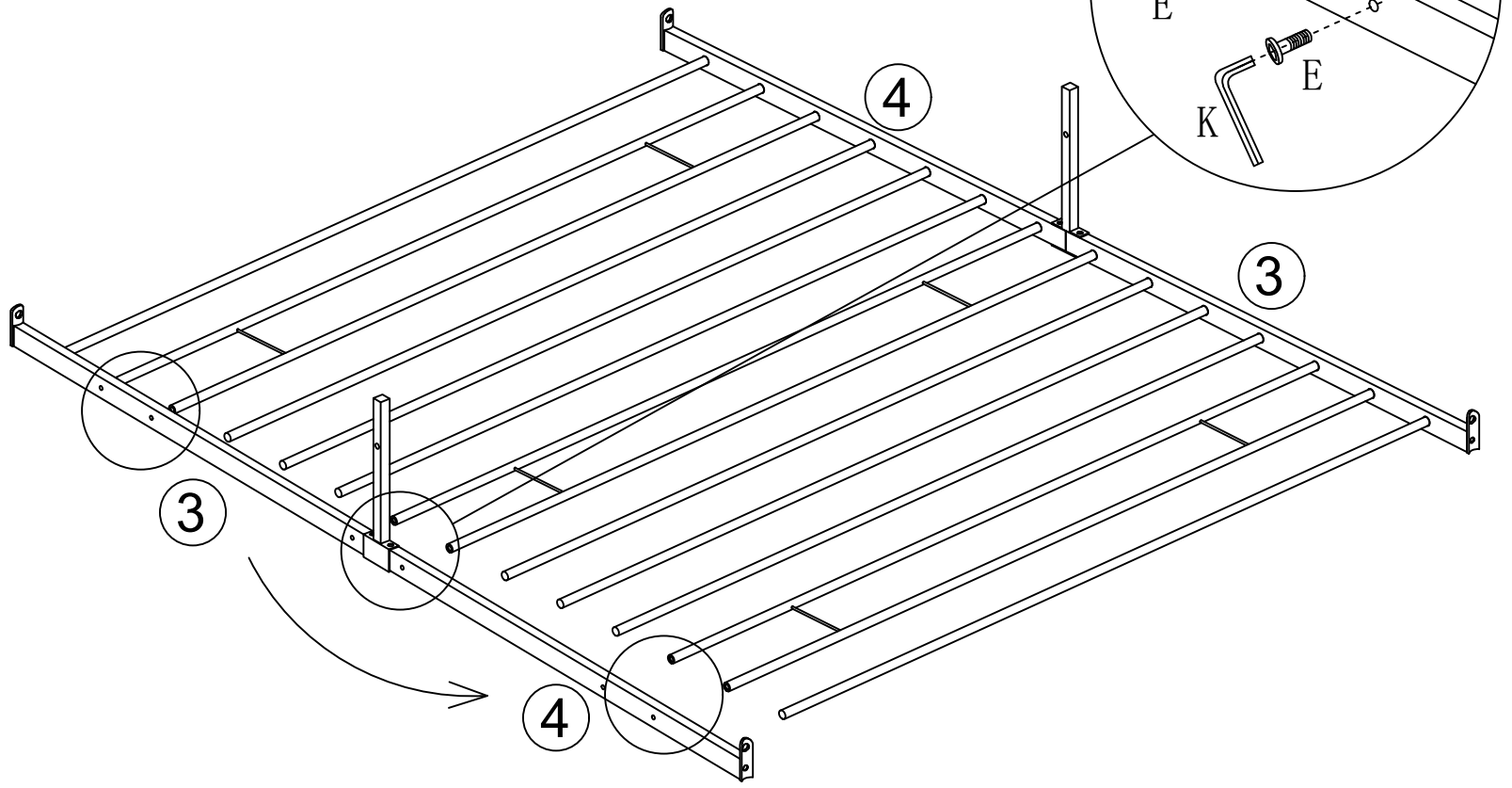


2

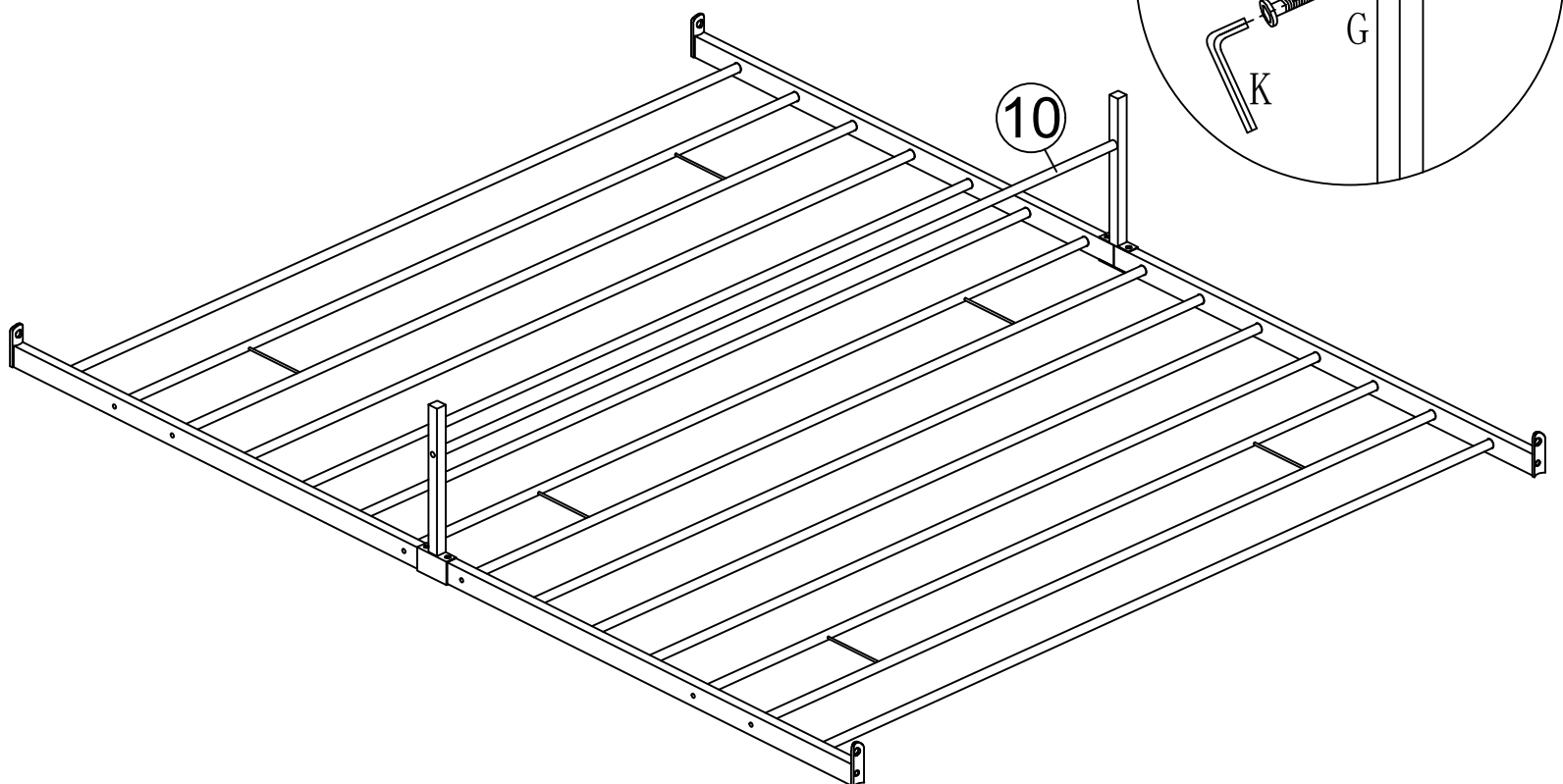


ASSEMBLY INSTRUCTION

3

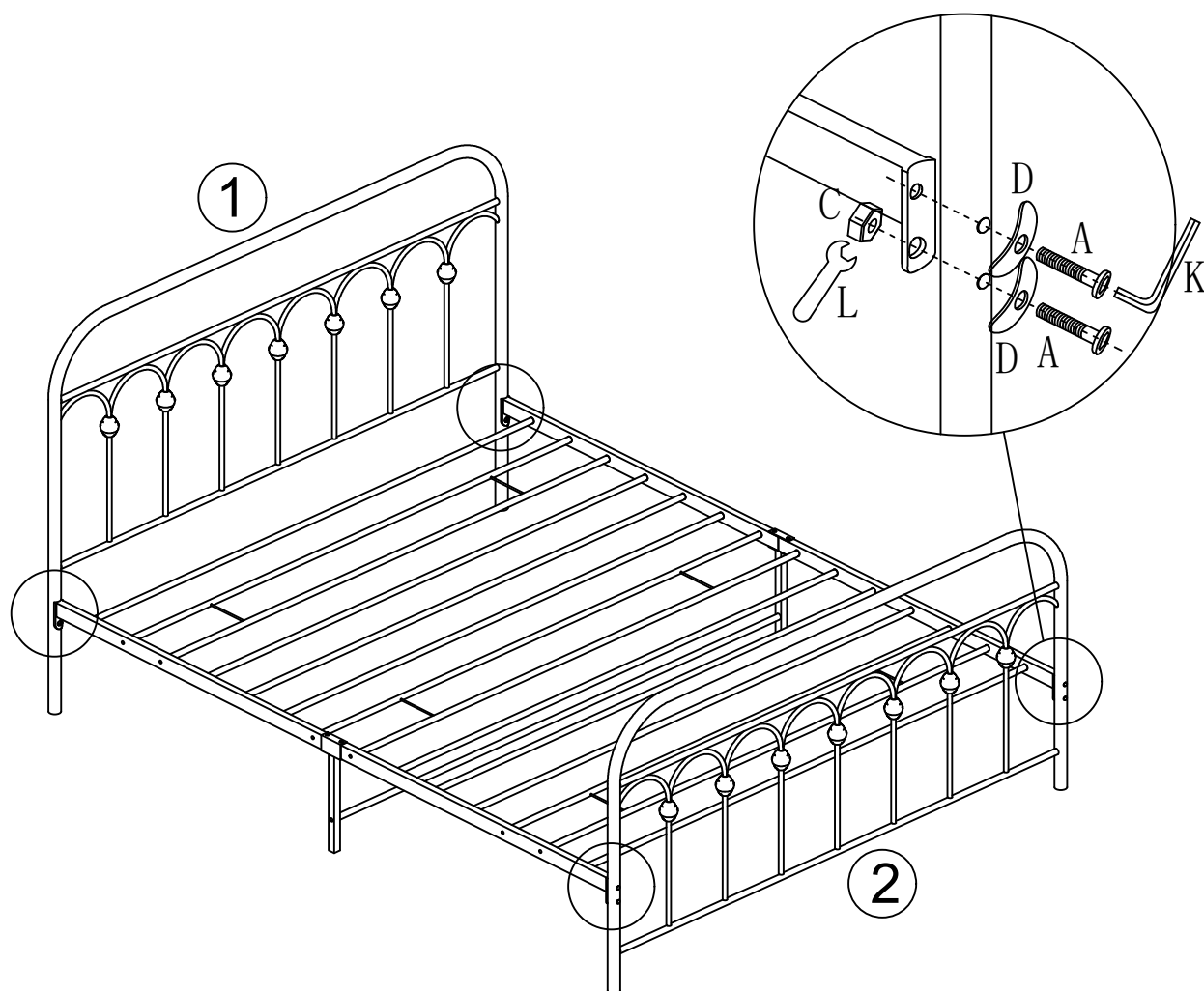


4



ASSEMBLY INSTRUCTION

5



6

