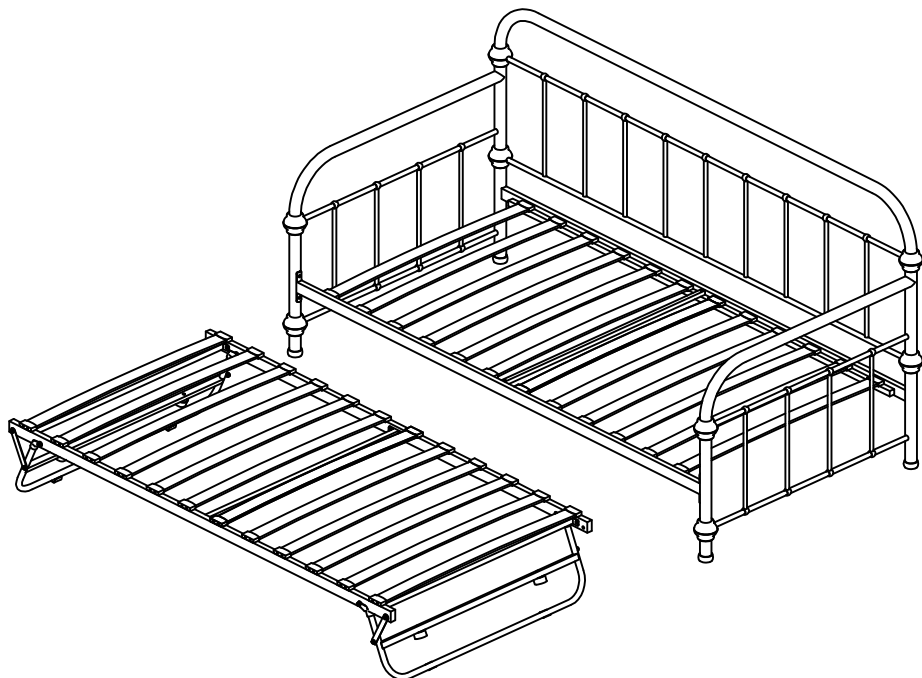
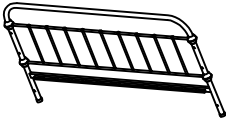
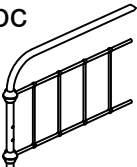
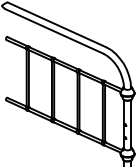
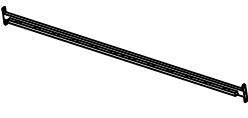










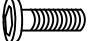


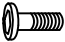






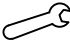


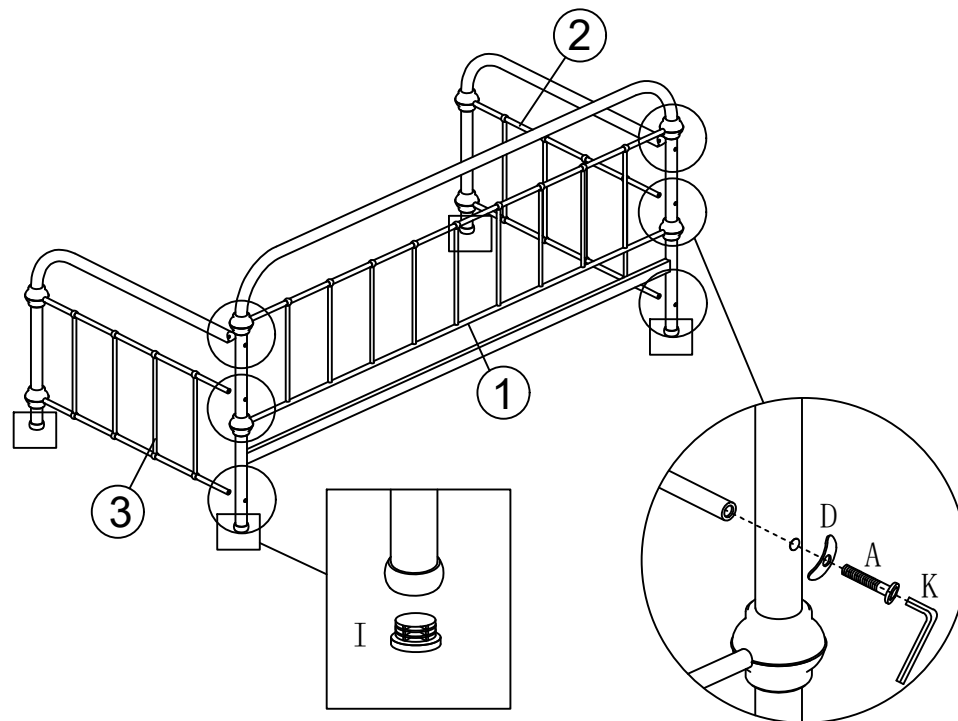
# ASSEMBLY INSTRUCTION



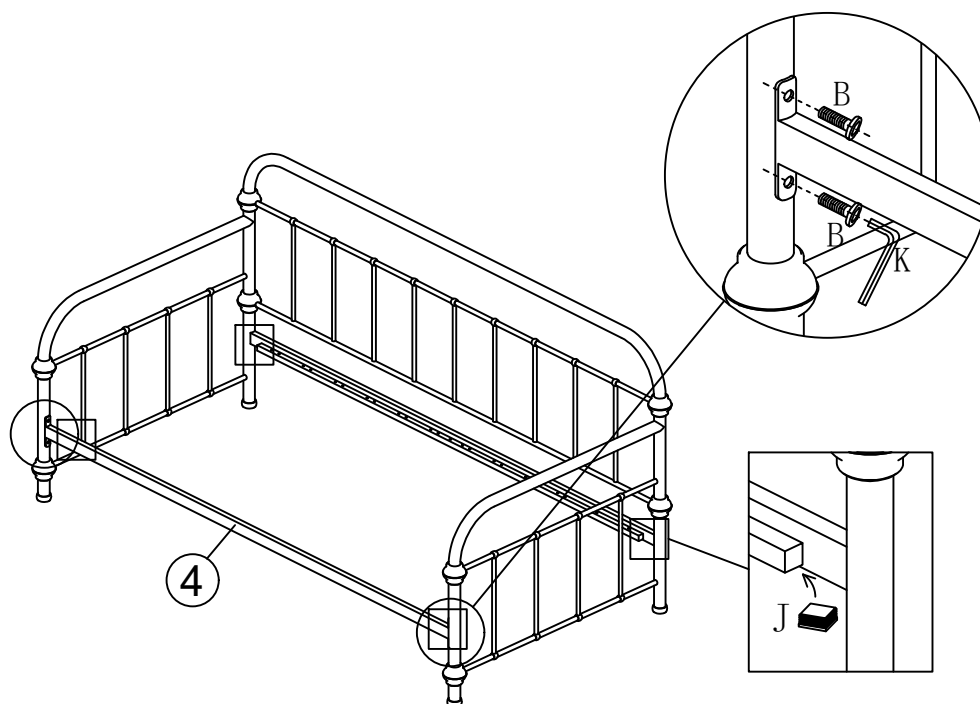
1.1pc 	2.1pc 	3.1pc 	4.1pc 	5.1pc 
6.2pc 	7.3pcs 	8.2pcs 	9.12pcs 	10.12pcs 
11.48pcs 	12.4pcs 	13.2pcs 	A. M6x55 12pcs 	B. M8x20 4pcs 
C. M6 12pcs 	D. M6 6pcs 	E. M6x13 12pcs 	F. M6x35 6pcs 	G. 4pcs 
H. 20x40 4pcs 	I. $\phi 38$ 4pcs 	J. 25x25 4pcs 	K. M5 1pc 	L. #6 1pc 

# ASSEMBLY INSTRUCTION

1

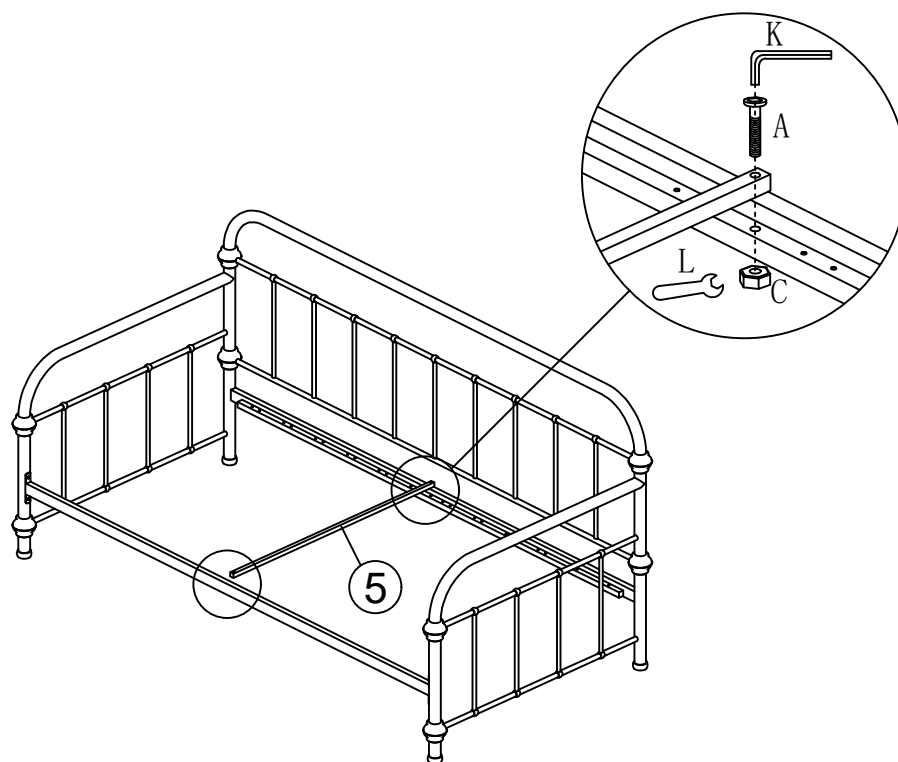


2

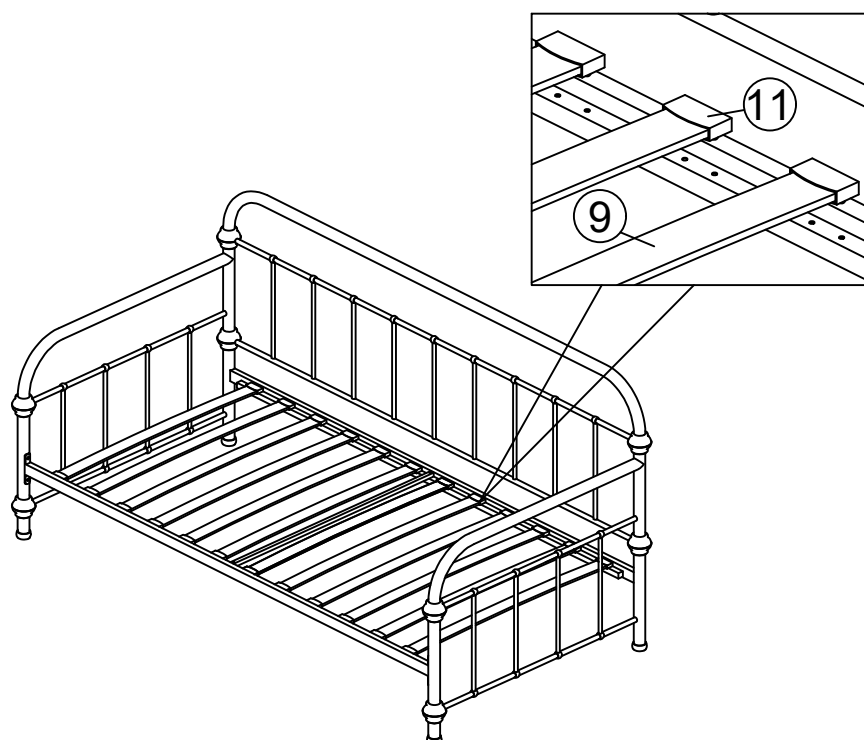


# ASSEMBLY INSTRUCTION

3

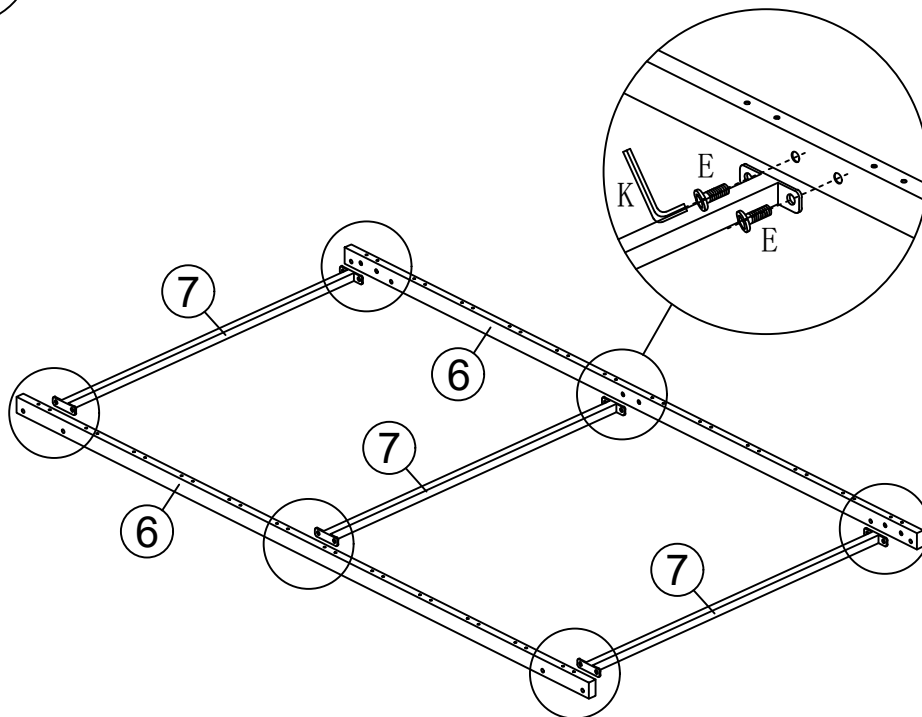


4

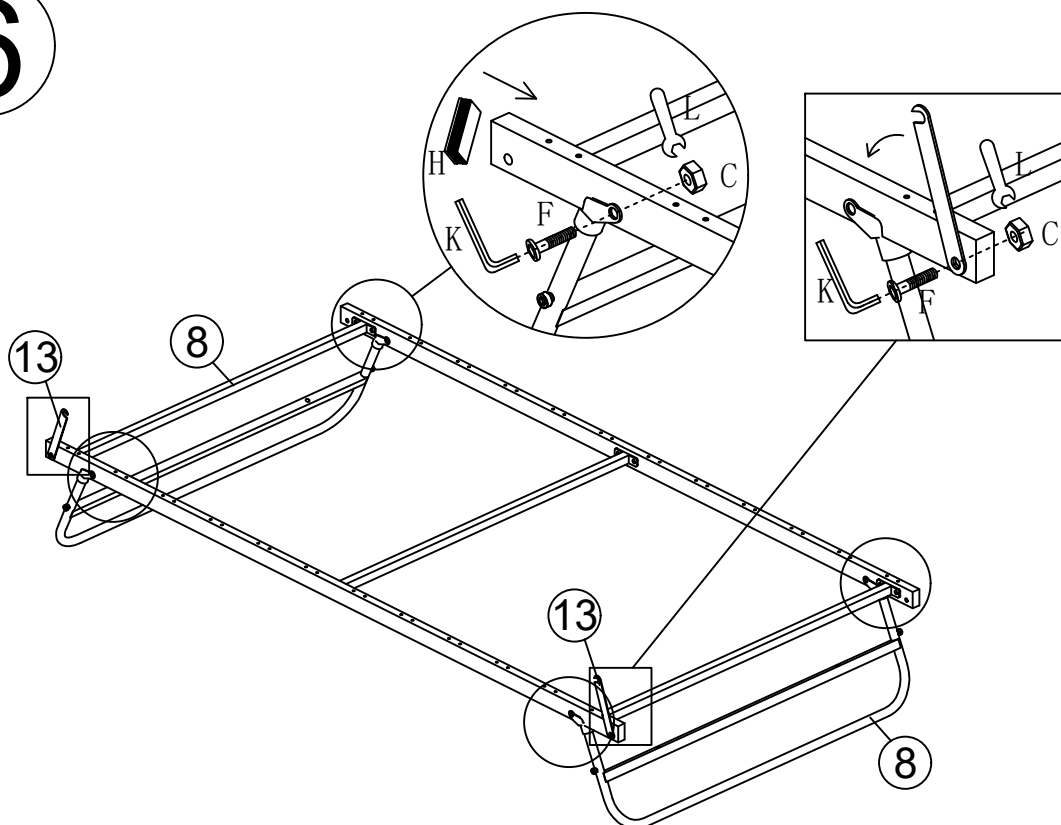


# ASSEMBLY INSTRUCTION

5

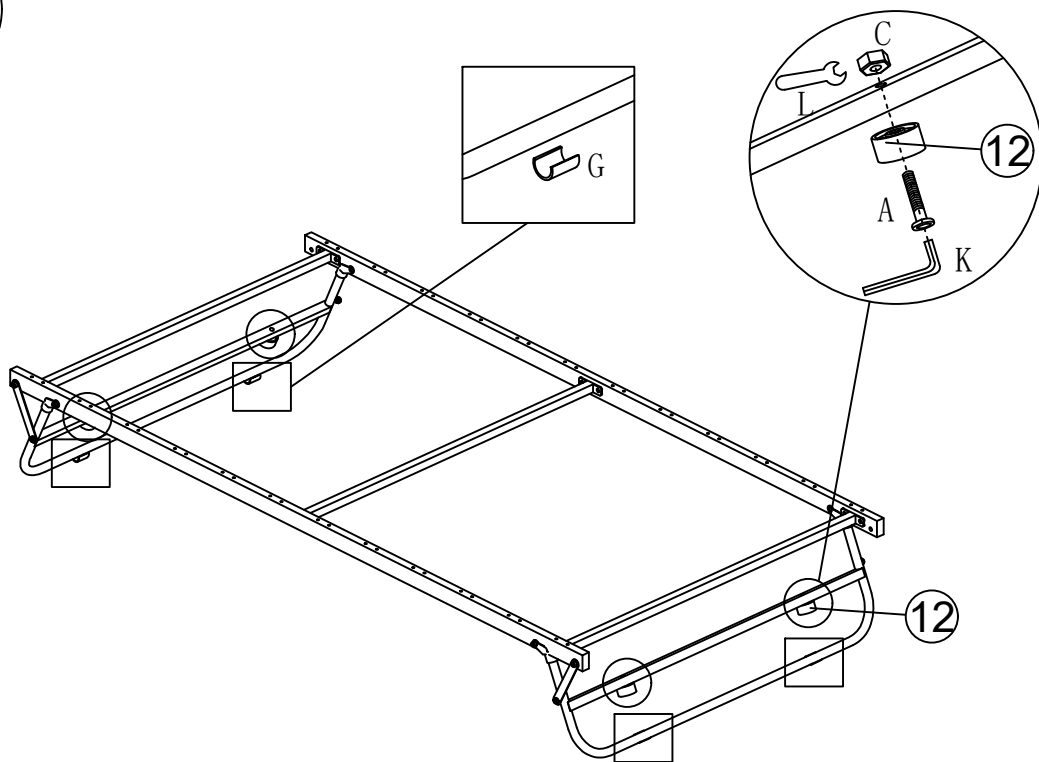


6

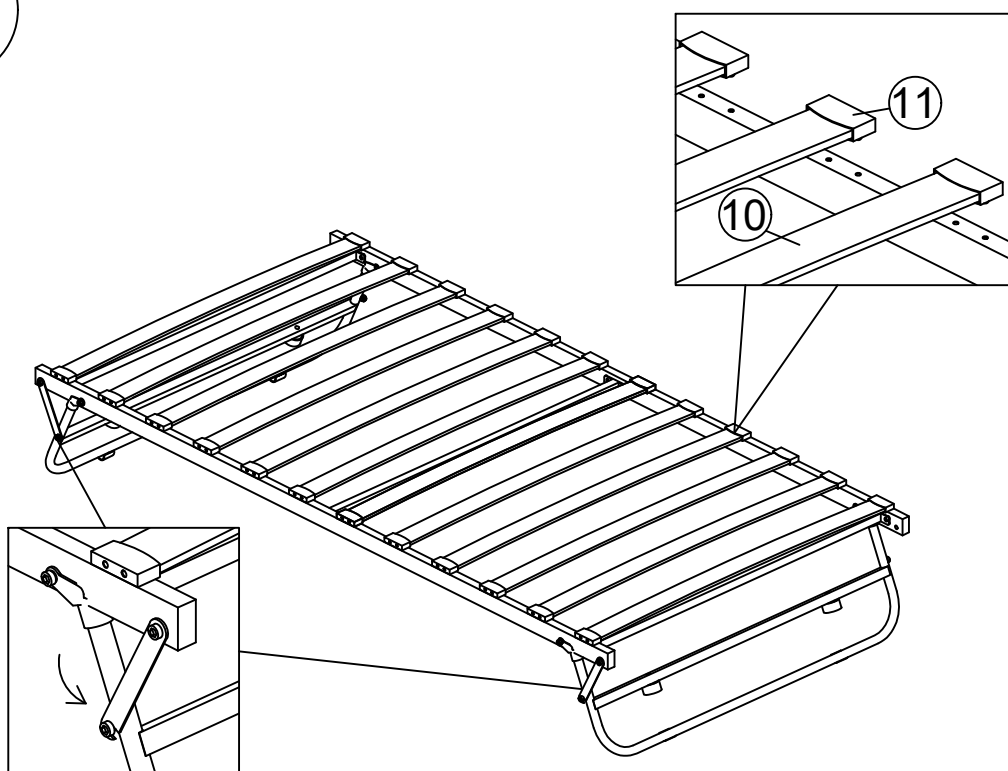


# ASSEMBLY INSTRUCTION

7



8



# ASSEMBLY INSTRUCTION

9



10

