

ASSEMBLY INSTRUCTIONS

- * Thank you for purchasing this quality product.
- * Read instruction carefully prior to assembly!
- * Unit should be assembled by two or more people!
- * Remove all components from pack and place product down on soft surface such as carpet or cloth to prevent scratching the finish. Identify and count all parts as specified below.
- * Do not tighten bolts until assembly is complete.

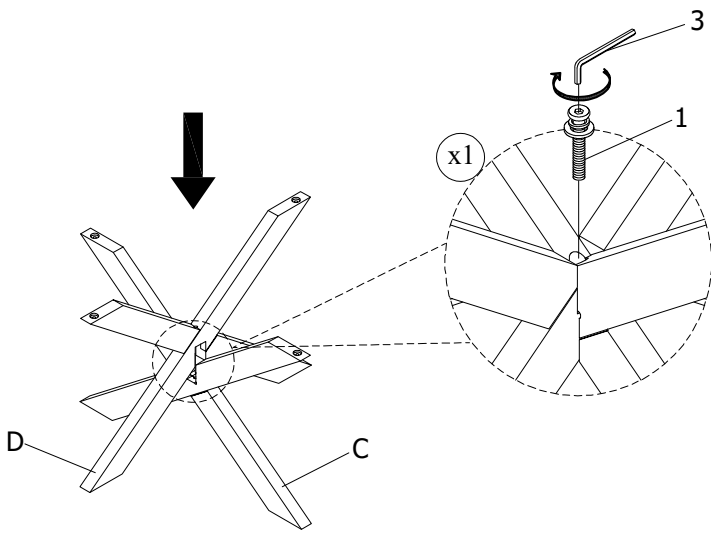
"PART LISTS"

No.	DESC	SKETCH	QTY
A	TABLE TOP		1pc
B	TABLE BASE PANEL		2pcs
C	TABLE TOP LEG		1pc
D	TABLE BOTTOM LEG		1pc

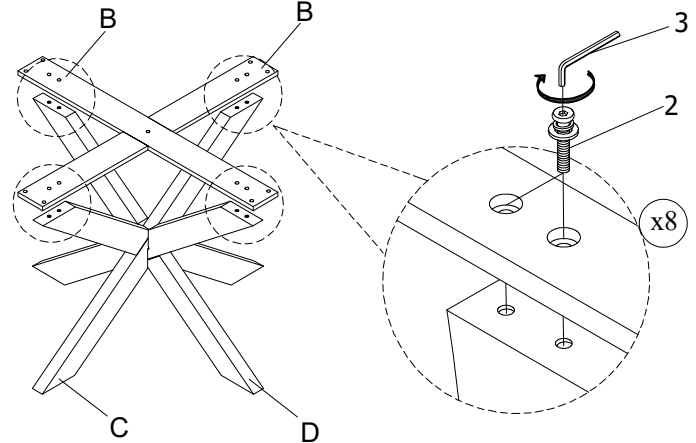
"HARDWARE LISTS"

No.	OUTLOOK	SIZE	QTY
1		Bolt (5/16"x3")	1pc
2		Bolt (5/16"x1-3/8")	17pcs
3		Allen Key 58x23x4mm	1pc

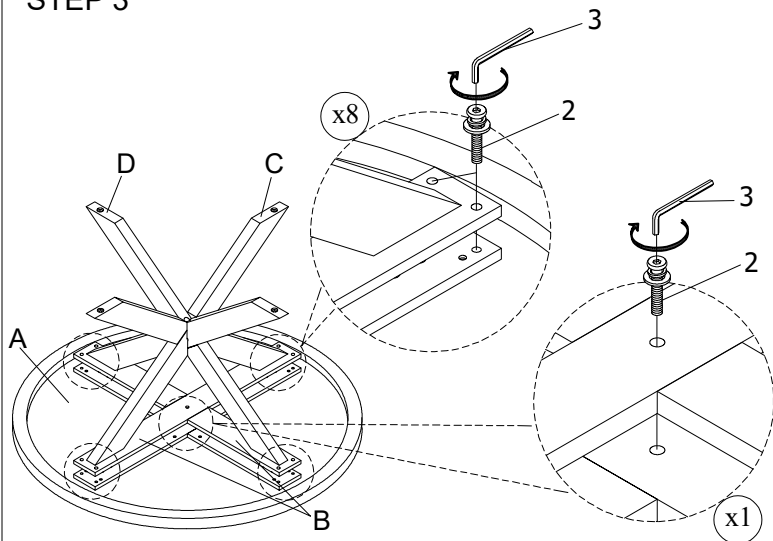
STEP 1



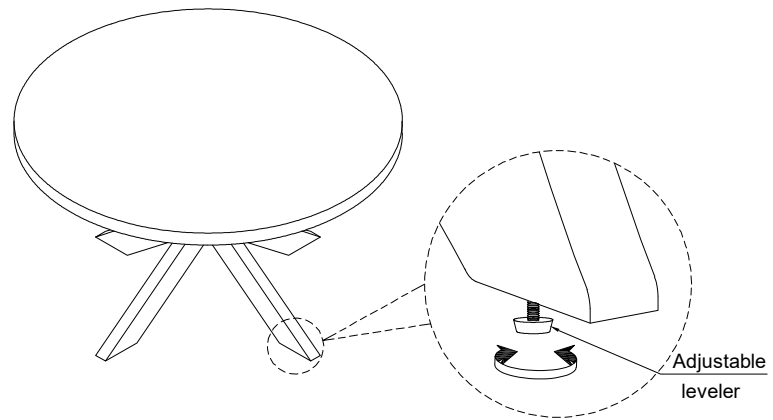
STEP 2



STEP 3



STEP 4



Cleaning instructions: Clean using soft cloth.