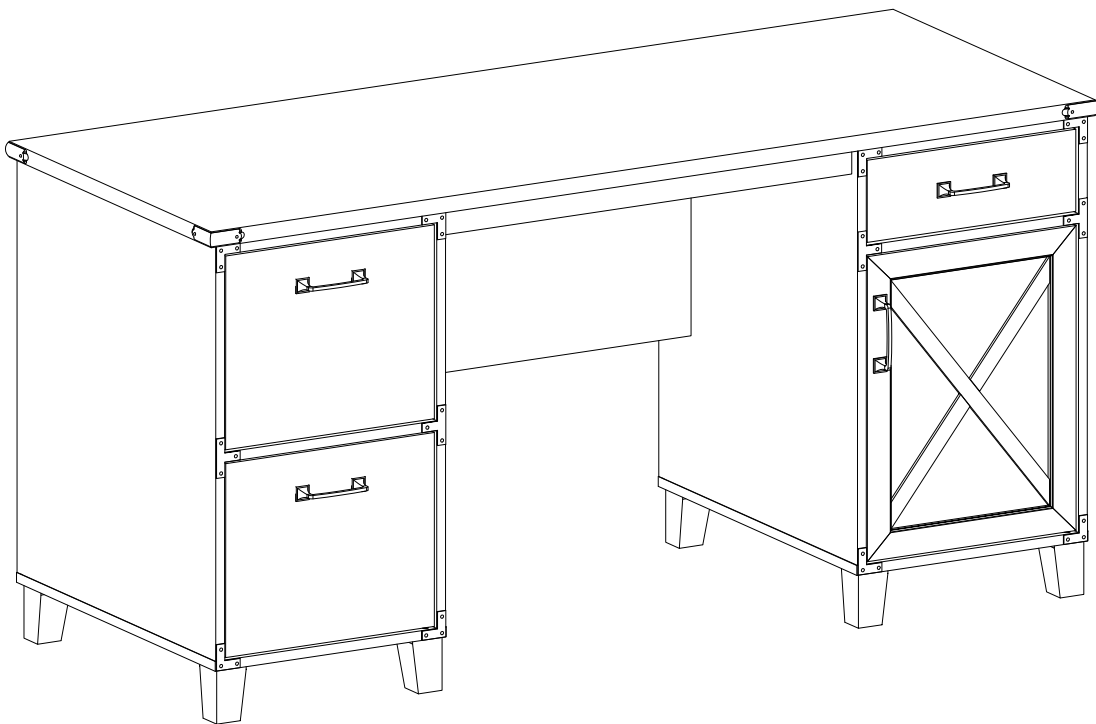


ASSEMBLY INSTRUCTIONS

Important Safety Instructions:

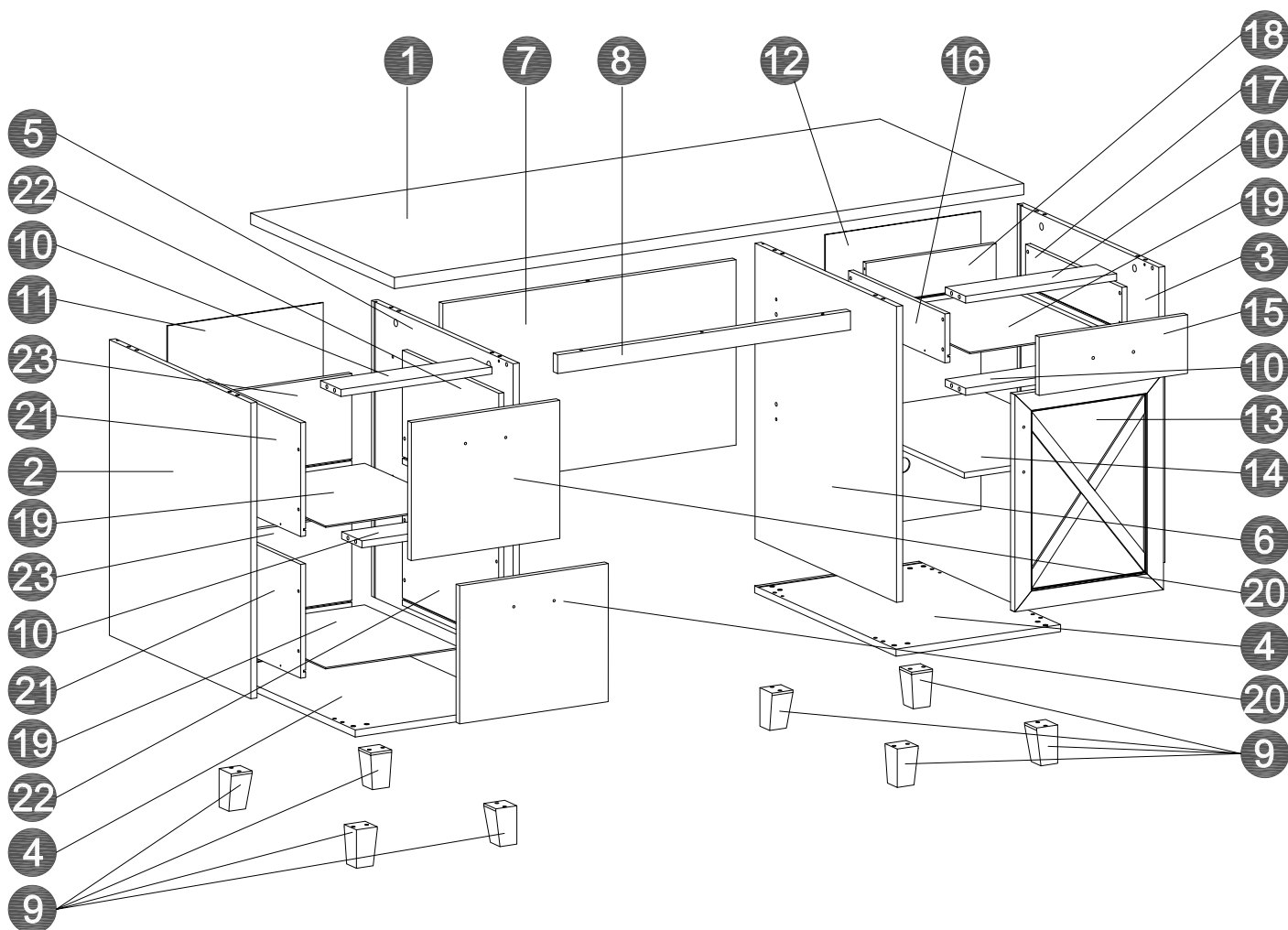
- Please read all instructions before beginning assembly
- Please make sure receive all the parcels to start the assembly
- For your safety and convenience, assembly by two people is recommended
- Use the parts and hardware lists to identify and separate each of the components included
- Save all packing materials until assembly is completed to avoid the accidental discarding of smaller parts or hardware



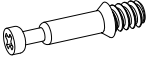


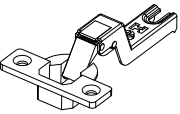
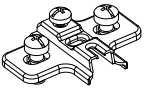

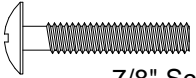
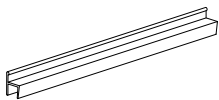
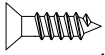
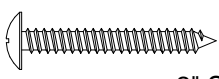
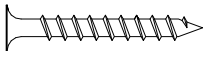
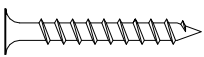
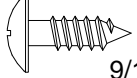


THANK YOU FOR PURCHASING

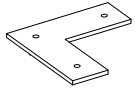
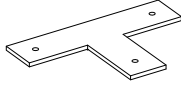

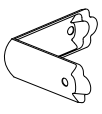
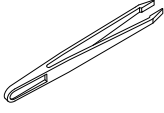
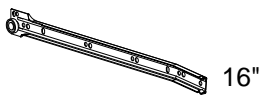
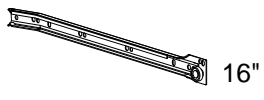
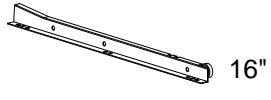
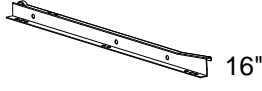
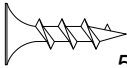
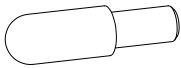
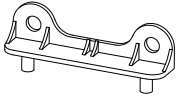
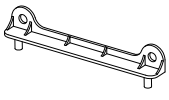
PARTS LIST

1 X1	2 X1	3 X1	4 X2	5 X1
6 X1	7 X1	8 X1	9 X8	10 X4
11 X1	12 X1	13 X1	14 X1	15 X1
16 X1	17 X1	18 X1	19 X3	20 X2
21 X2	22 X2	23 X2		



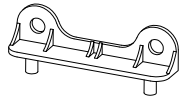
HARDWARE LIST

Name	Part	Qty.	Spare
A		17	1
B		17	1
C		28	2
D		2	
E		2	
F		4	
G	 7/8" Screw	8	1
H		4	
I	 1/2" Screw	36	4
J	 2" Screw	3	
K	 2" Screw	28	2
L	 1-1/2" Screw	12	1
M	 9/16" Screw	12	1
N	 1/2" Screw	12	1
O		36	3

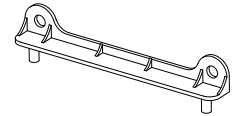
Name	Part	Qty.	Spare
P		8	
Q		4	
R	 5/6" nail	8	2
S		4	
U		1	
V	 16"	3	
W	 16"	3	
X	 16"	3	
Y	 16"	3	
Z	 5/8" Screw	4	
AA		4	
CC		2	
DD		4	

STEP 1

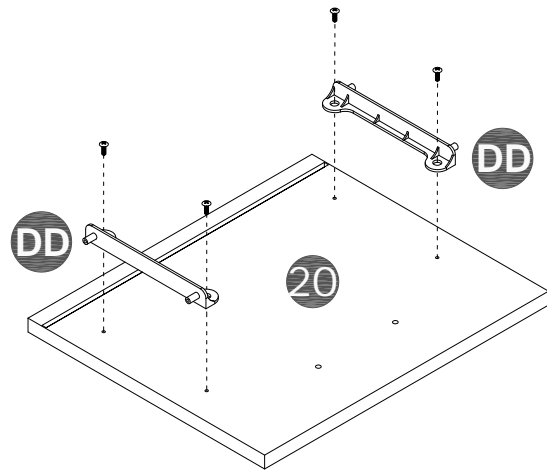
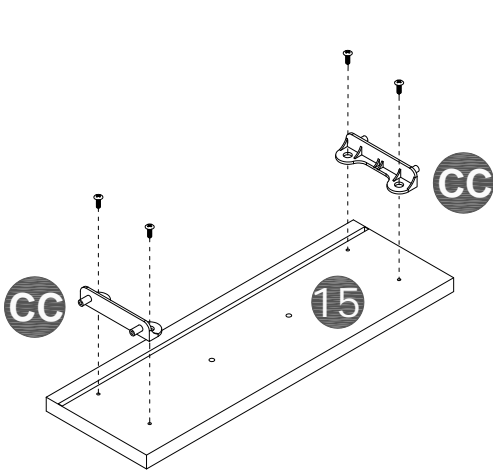
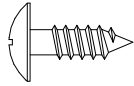
CC x 2pcs



DD x 4pcs



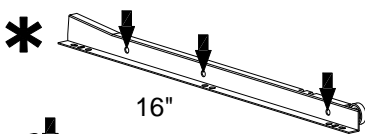
M x 12pcs



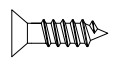
x 2

STEP 2

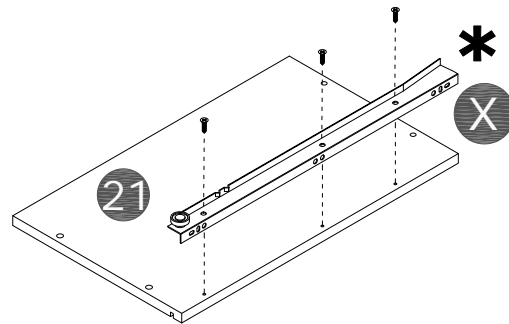
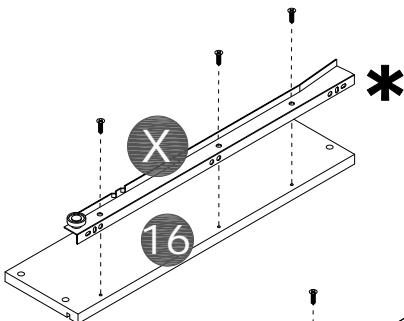
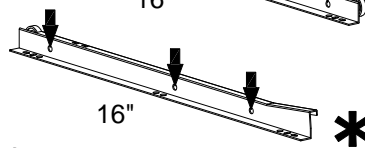
X x 3pcs



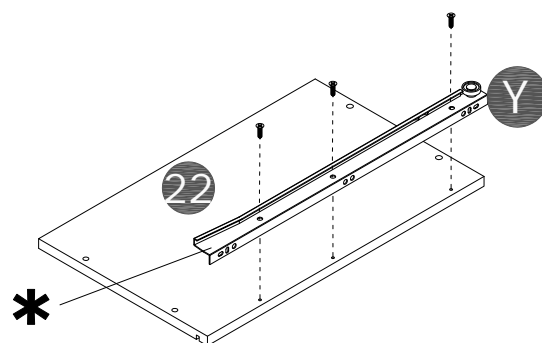
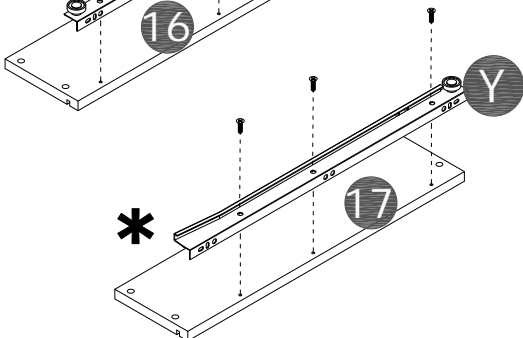
I x 18pcs



Y x 3pcs



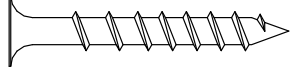
x 2

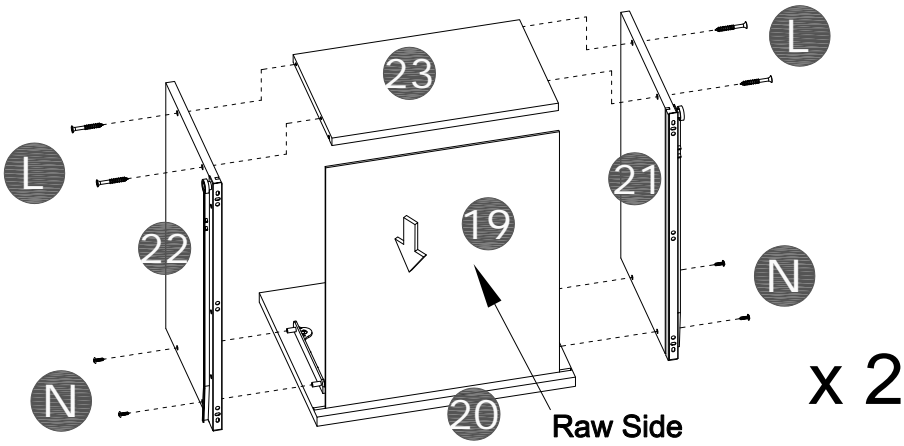
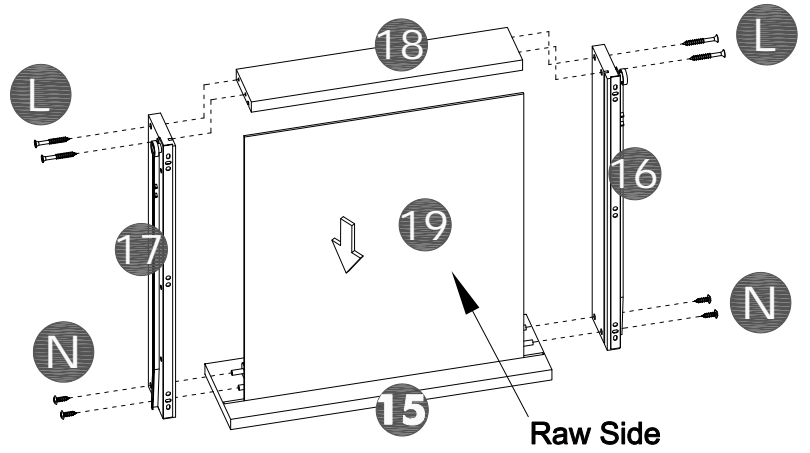


x 2

STEP 3

N x 12pcs 

L x 12pcs 

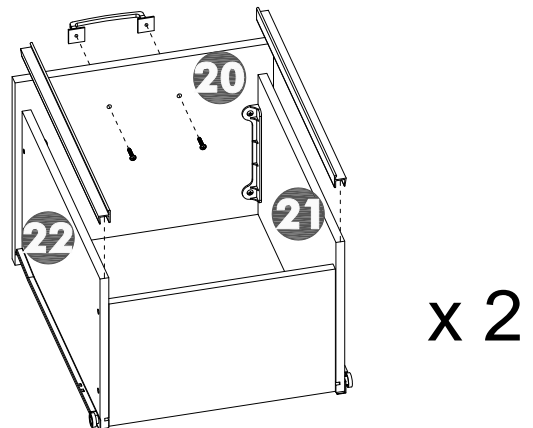
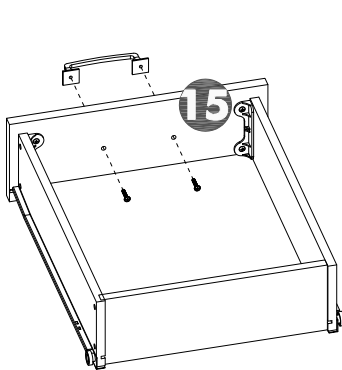


STEP 4

F x 3pcs 

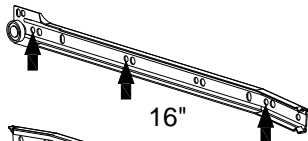
G x 6pcs 

H x 4pcs 

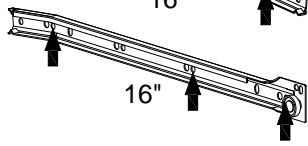


STEP 5

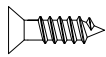
V x 3pcs



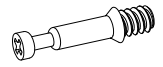
W x 3pcs



I x 18pcs



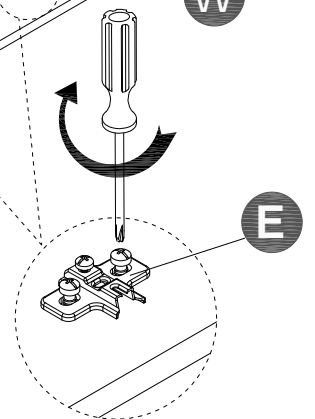
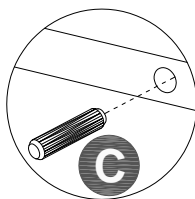
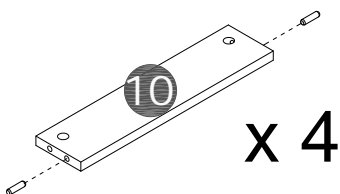
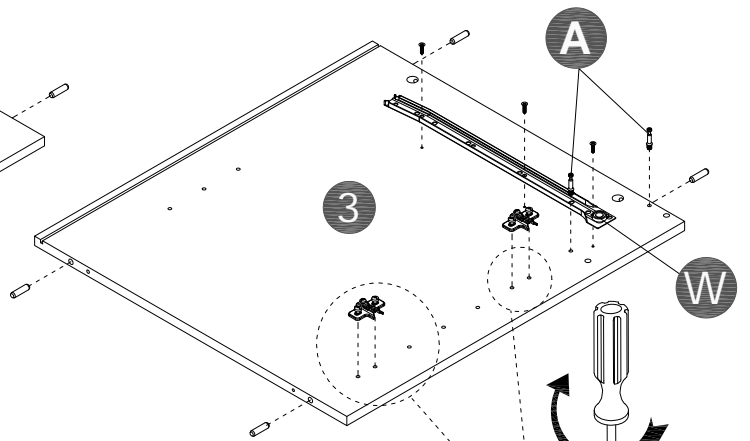
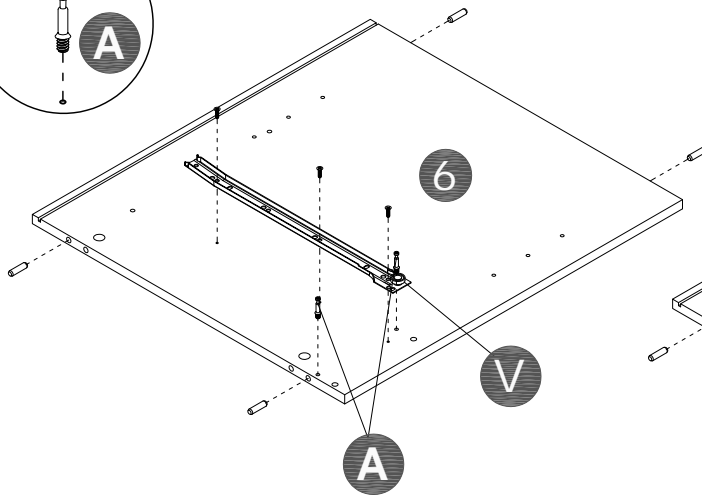
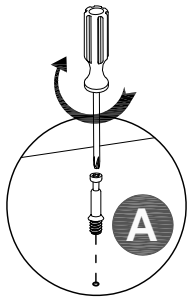
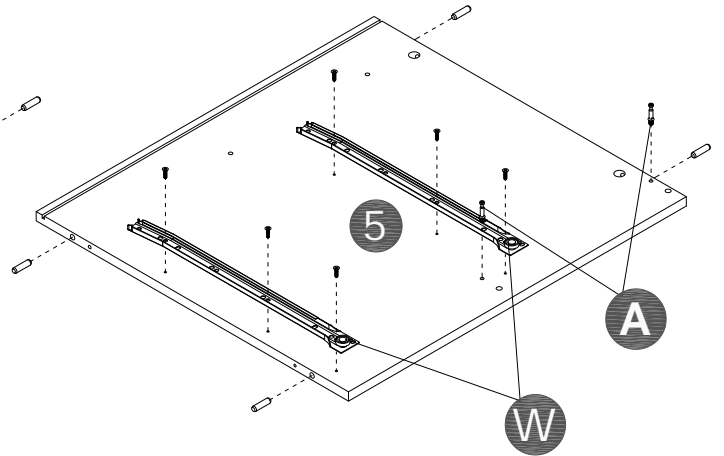
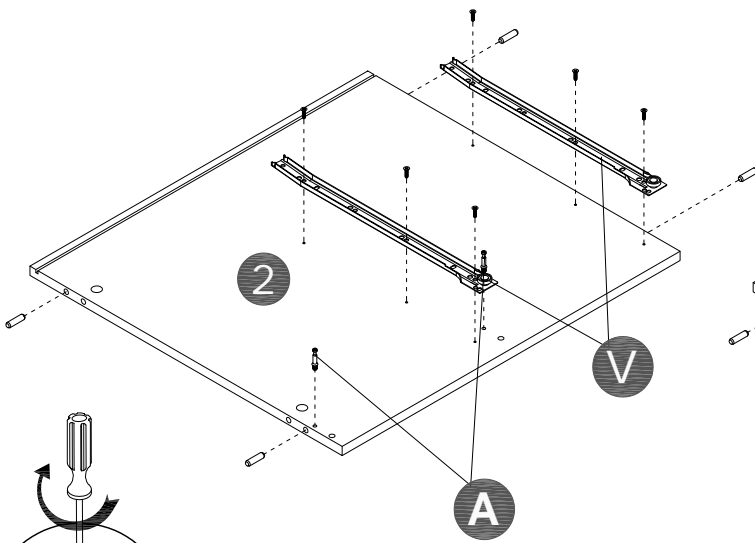
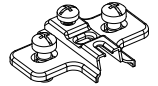
A x 8pcs



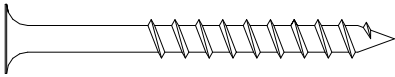
C x 24pcs

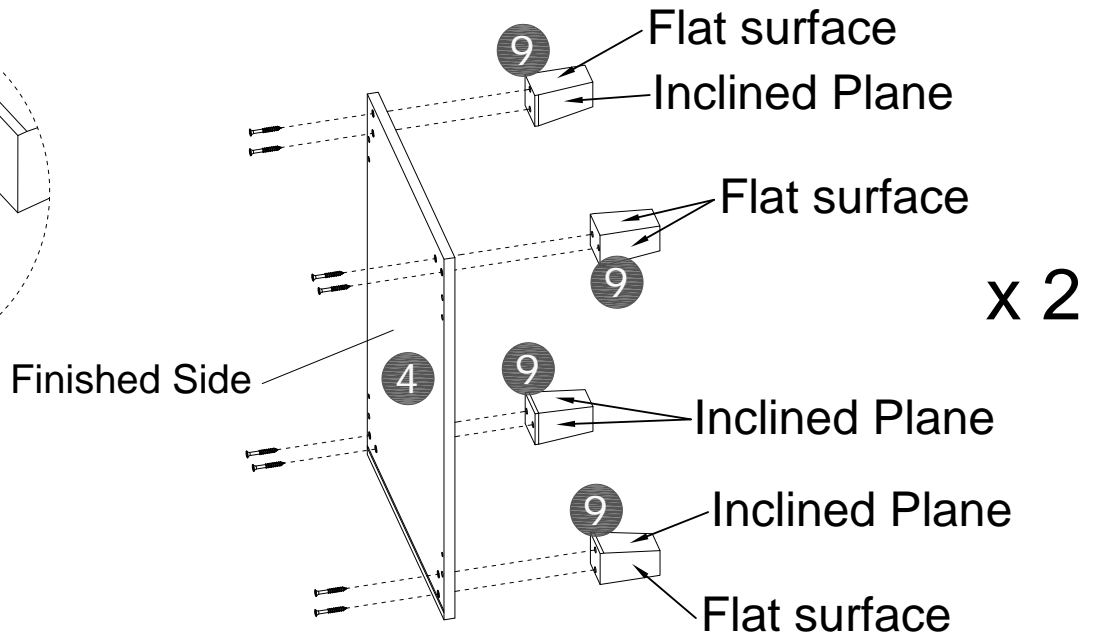
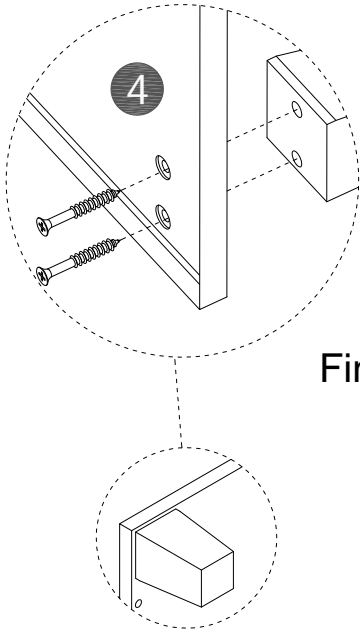


E x 2pcs




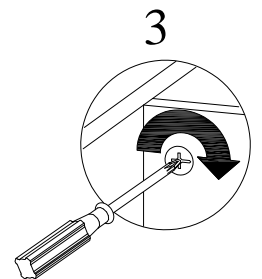
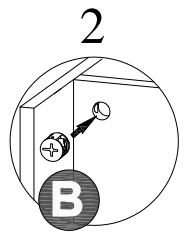
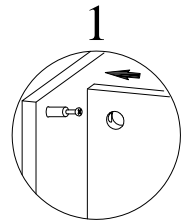
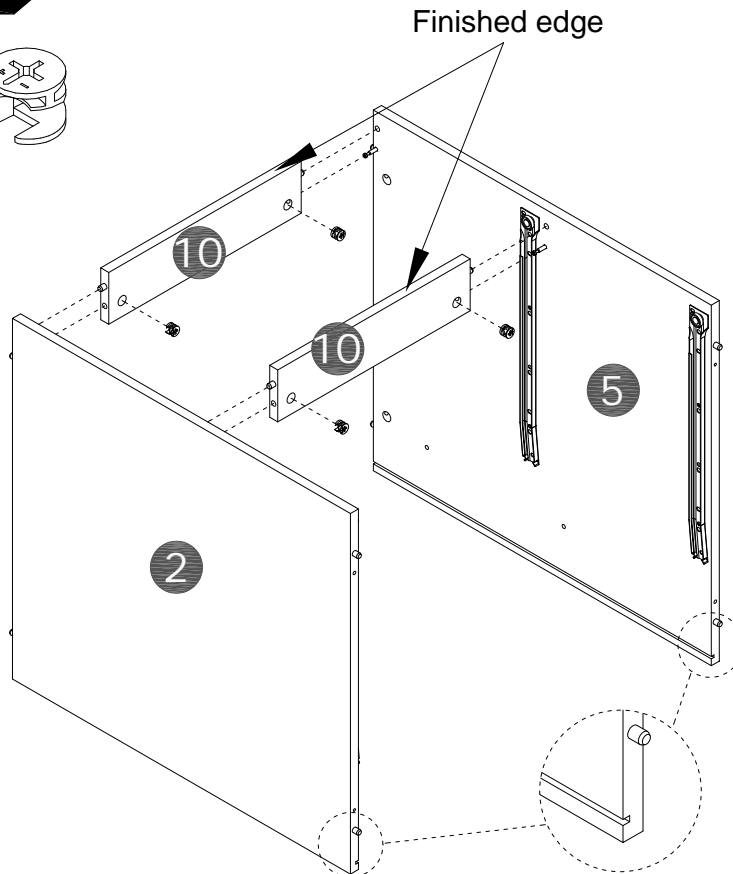
STEP 6

K x 16pcs 



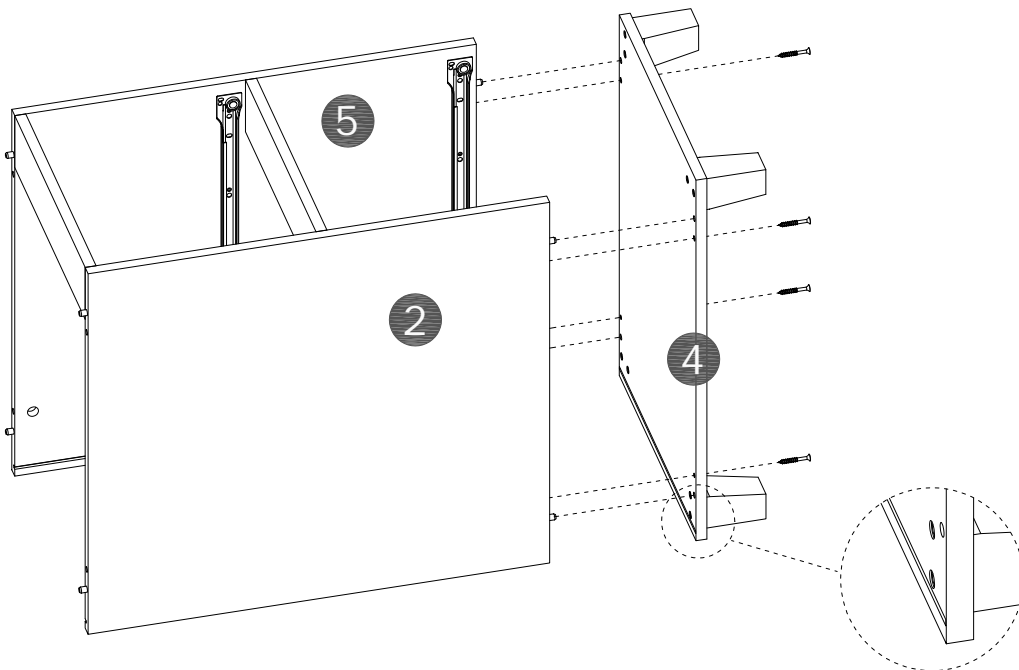
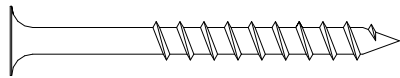
STEP 7

B x 4pcs 



STEP 8

K x 4pcs

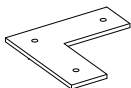


STEP 9

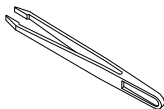
O x 18pcs



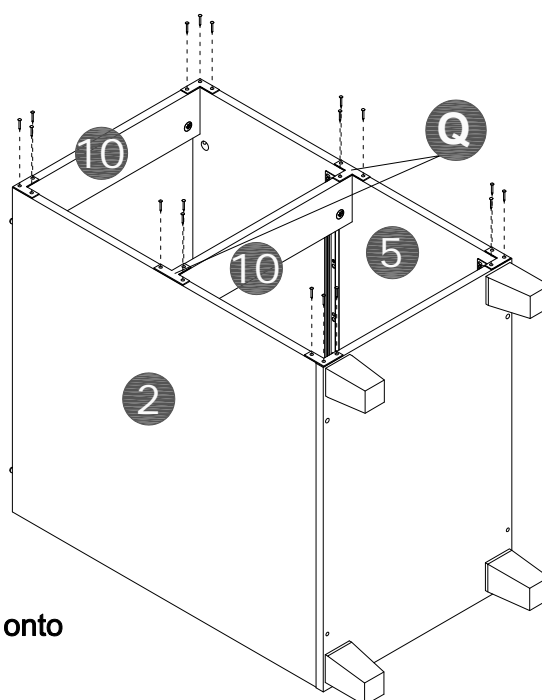
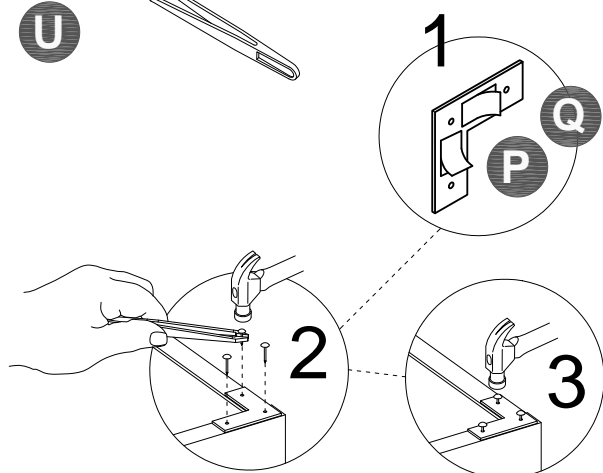
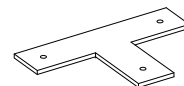
P x 4pcs



U



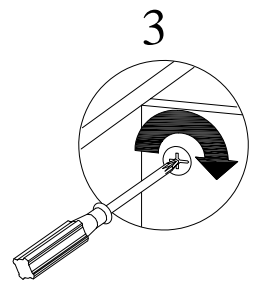
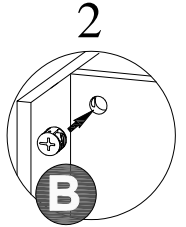
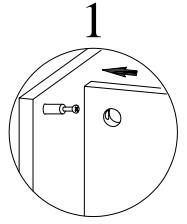
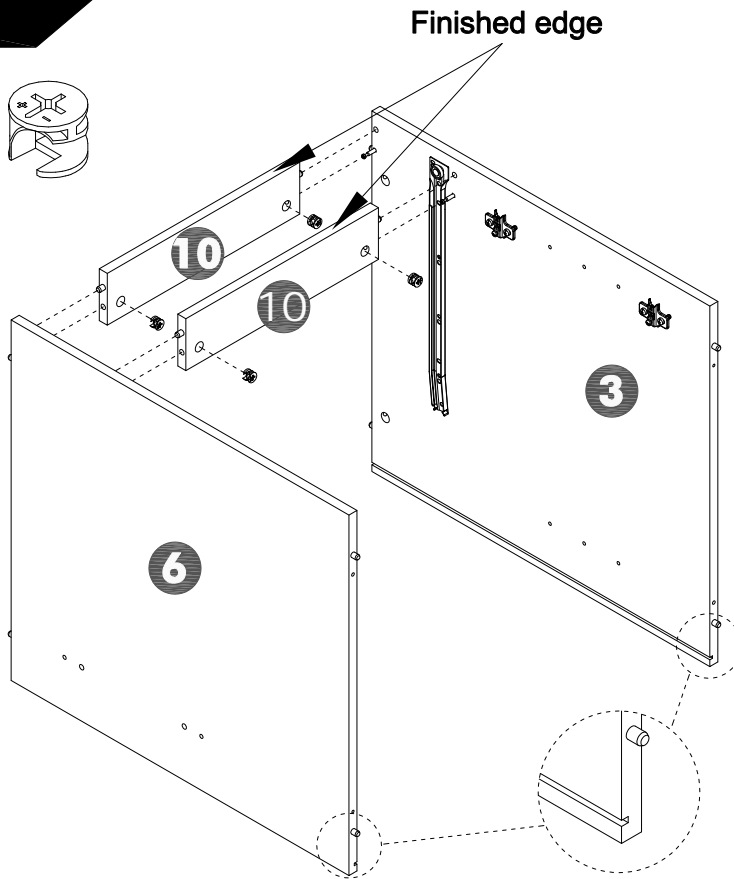
Q x 2pcs



Peel off the adhesive sticker's protective paper and bond it onto the designated position before secure with nails.

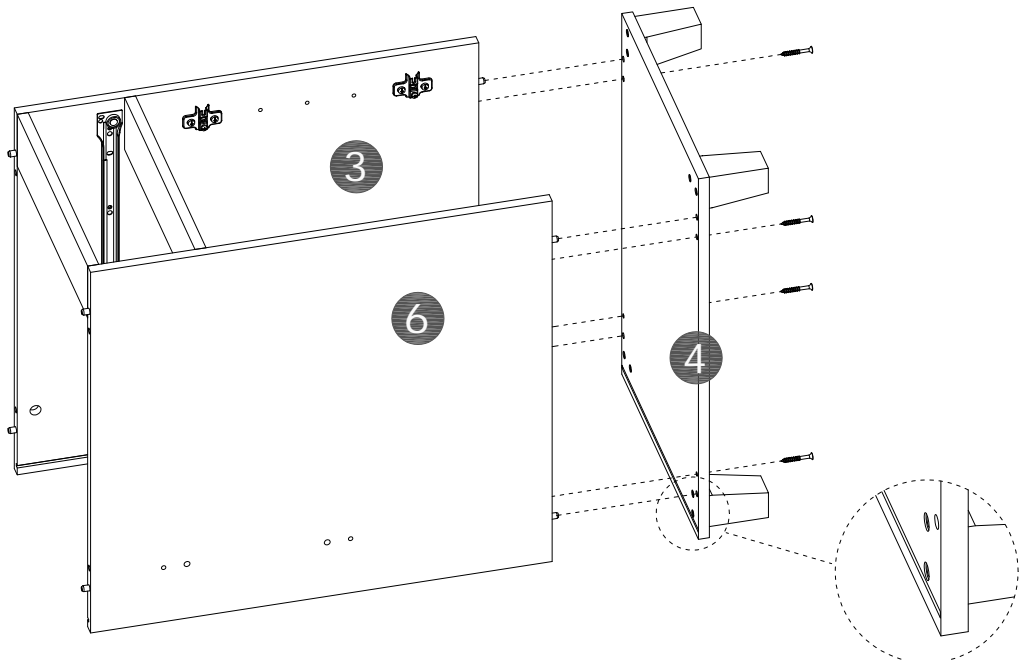
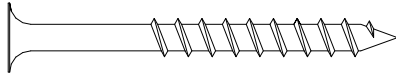
STEP 10

B x 4pcs



STEP 11

K x 4pcs



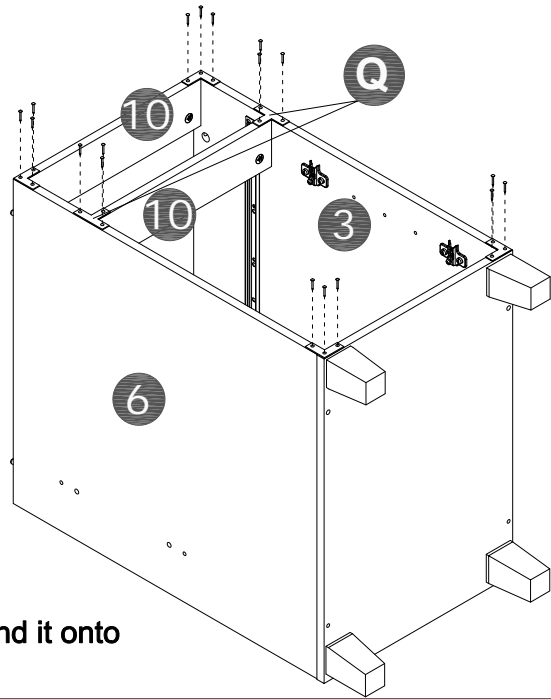
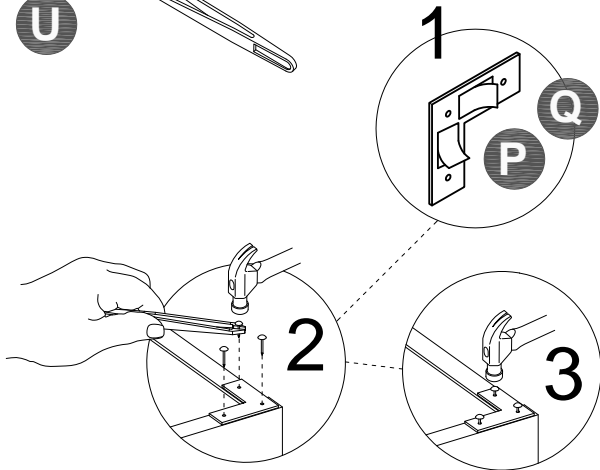
STEP 12

O x 18pcs 

P x 4pcs 

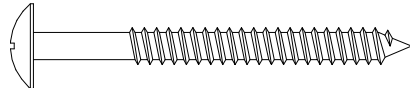
U 

Q x 2pcs 



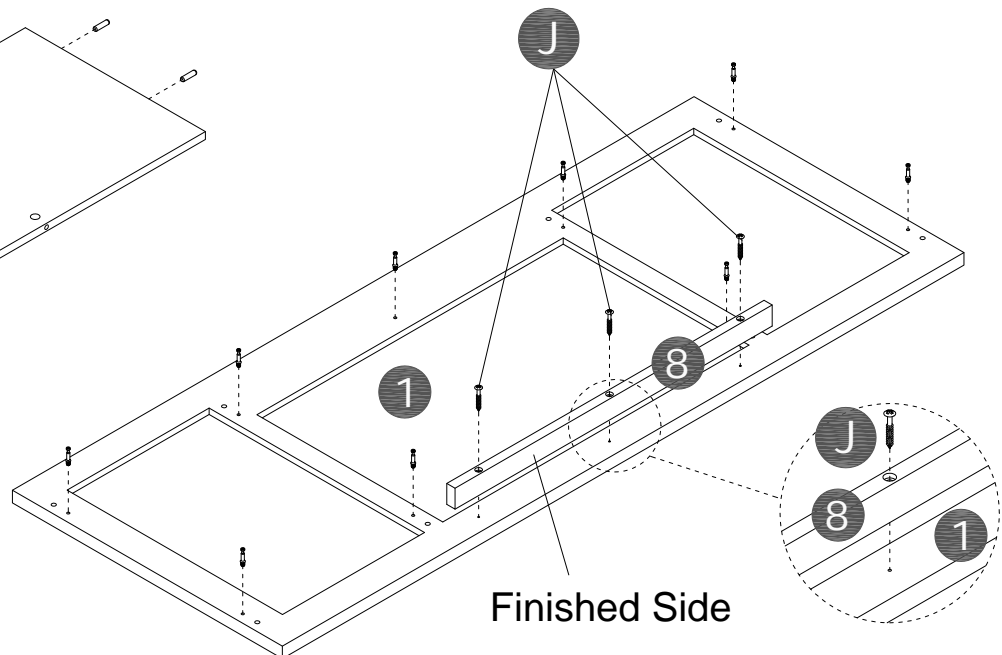
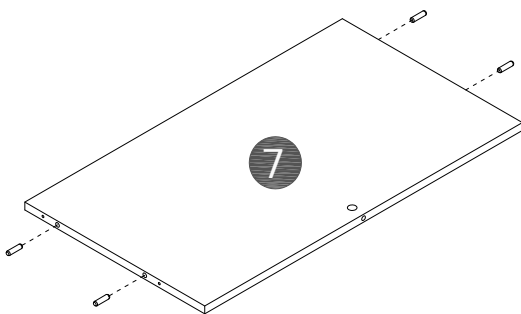
Peel off the adhesive sticker's protective paper and bond it onto the designated position before secure with nails.

STEP 13

J x 3pcs 

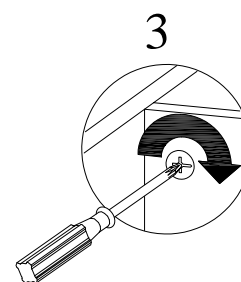
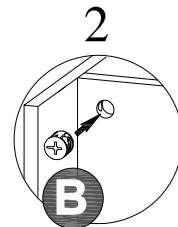
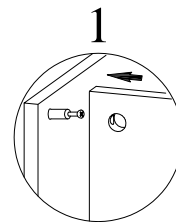
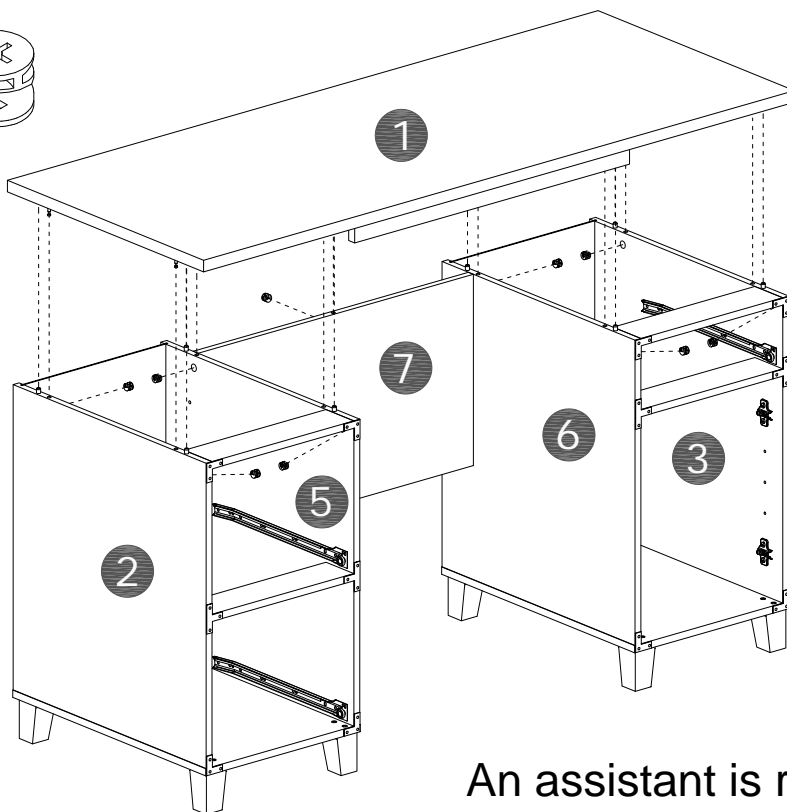
A x 9pcs 

C x 4pcs 



STEP 16

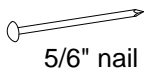
B x 9pcs



An assistant is required.

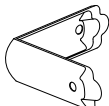
STEP 17

R x 8pcs

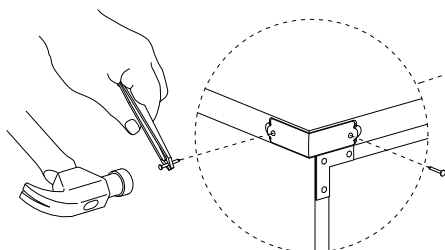
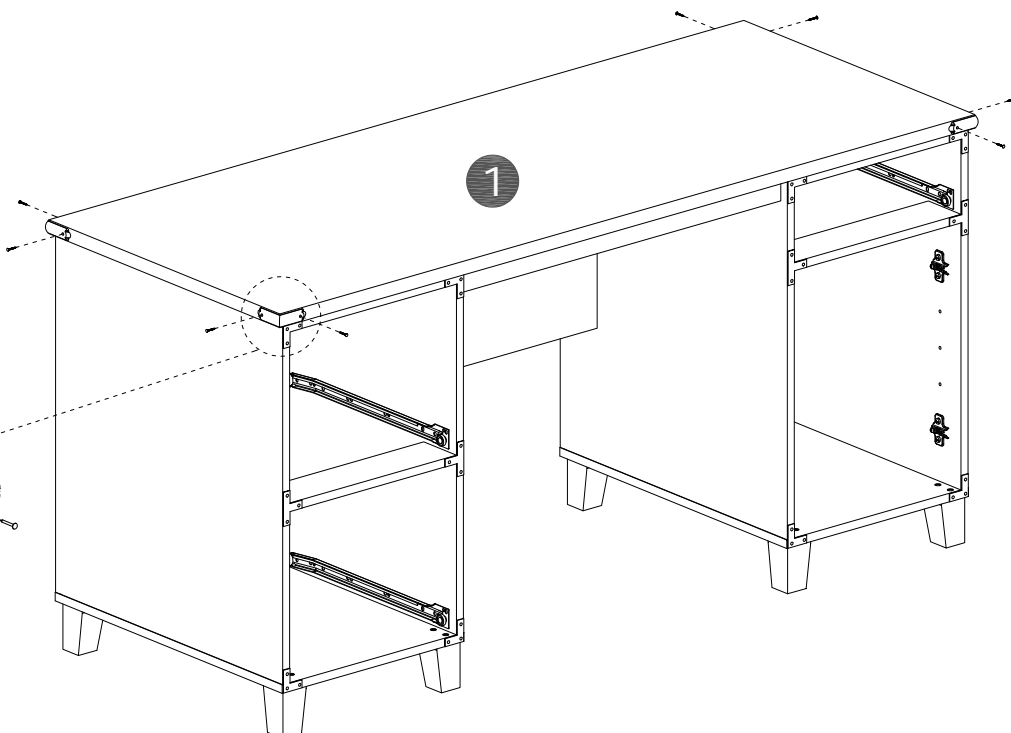
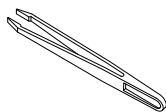


5/6" nail

S x 4pcs

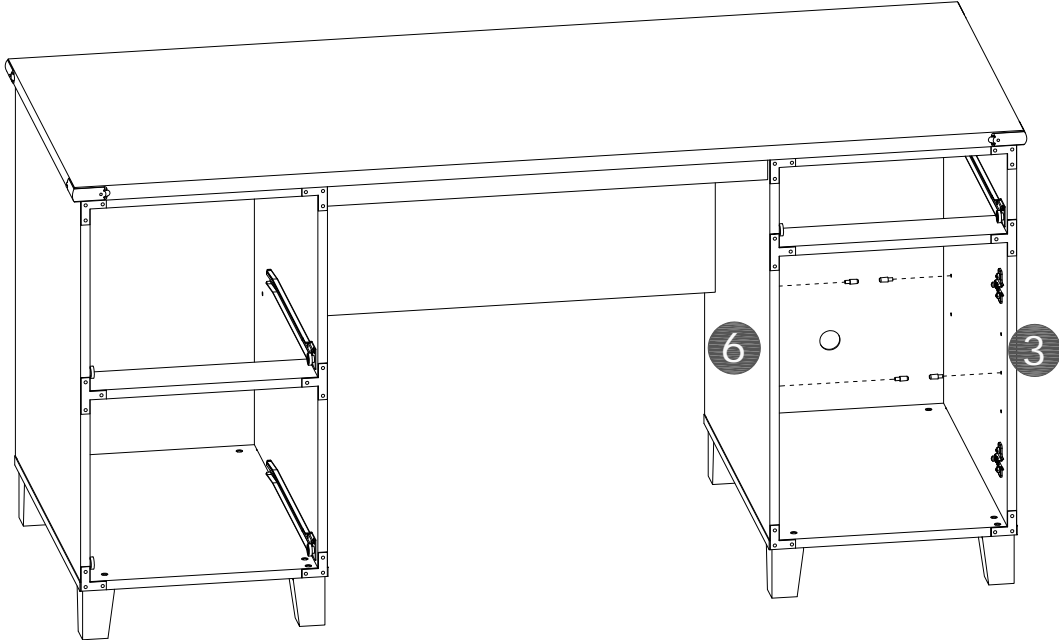
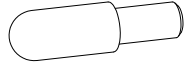


U

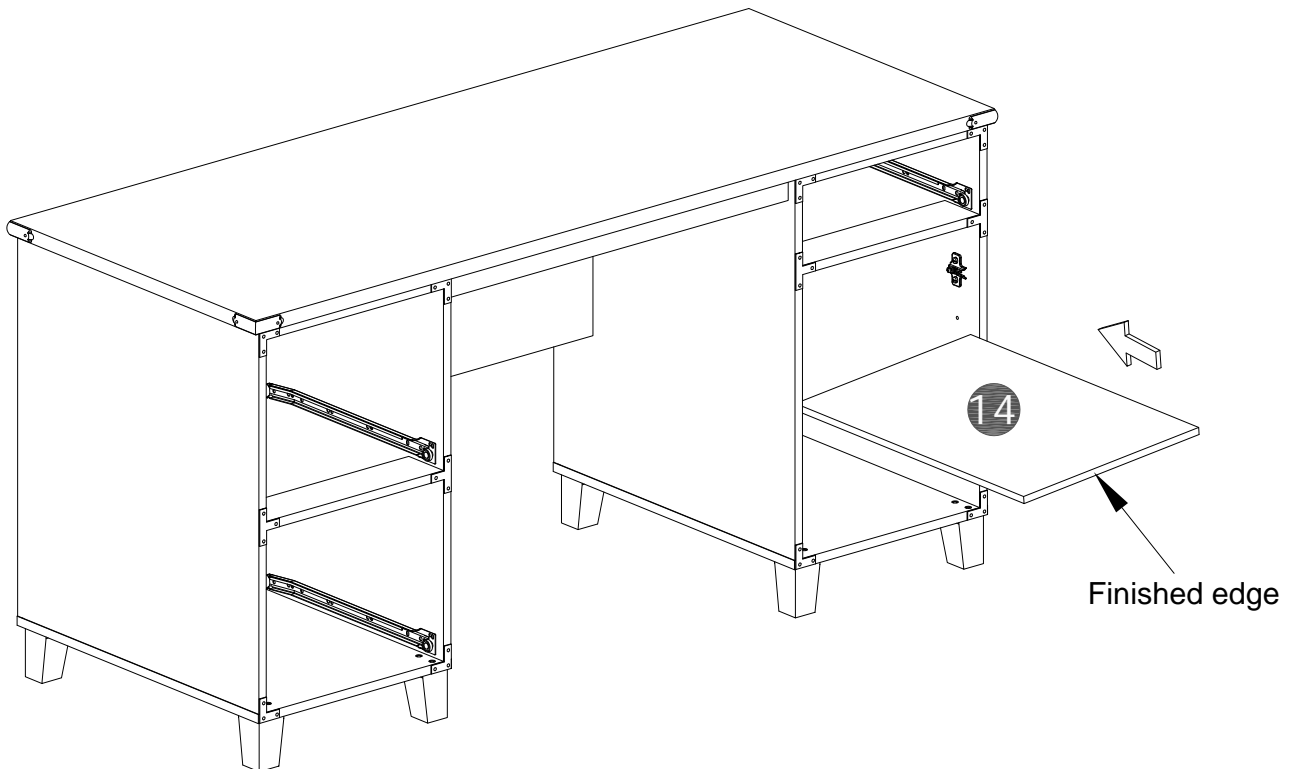


STEP 18

AA x 4pcs

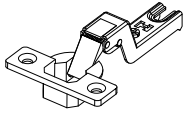


STEP 19

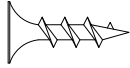


STEP 20

D x 2pcs



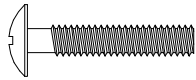
Z x 4pcs



F x 1pc



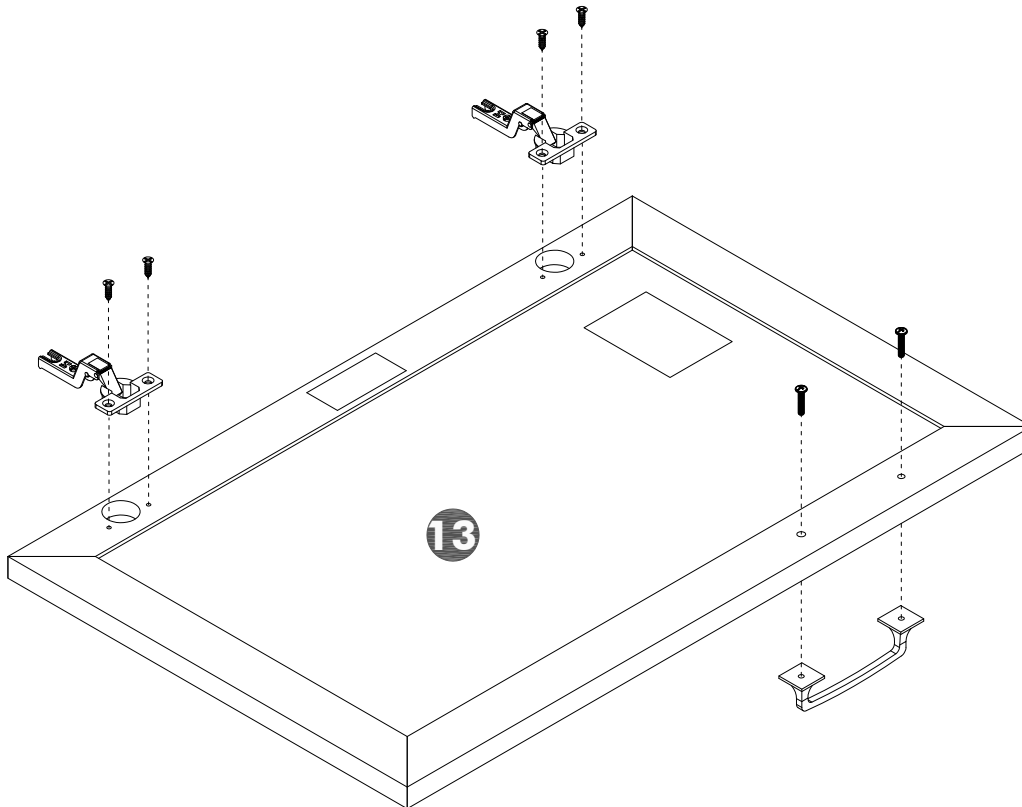
G x 2pcs



WARNING

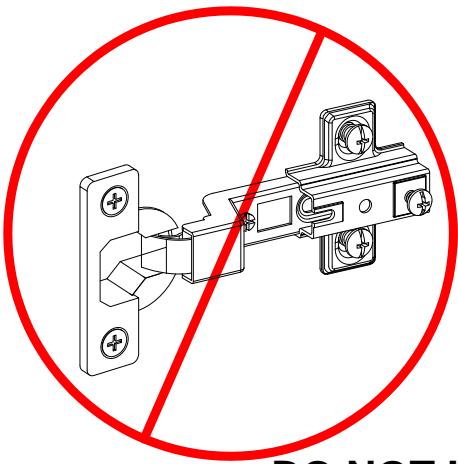
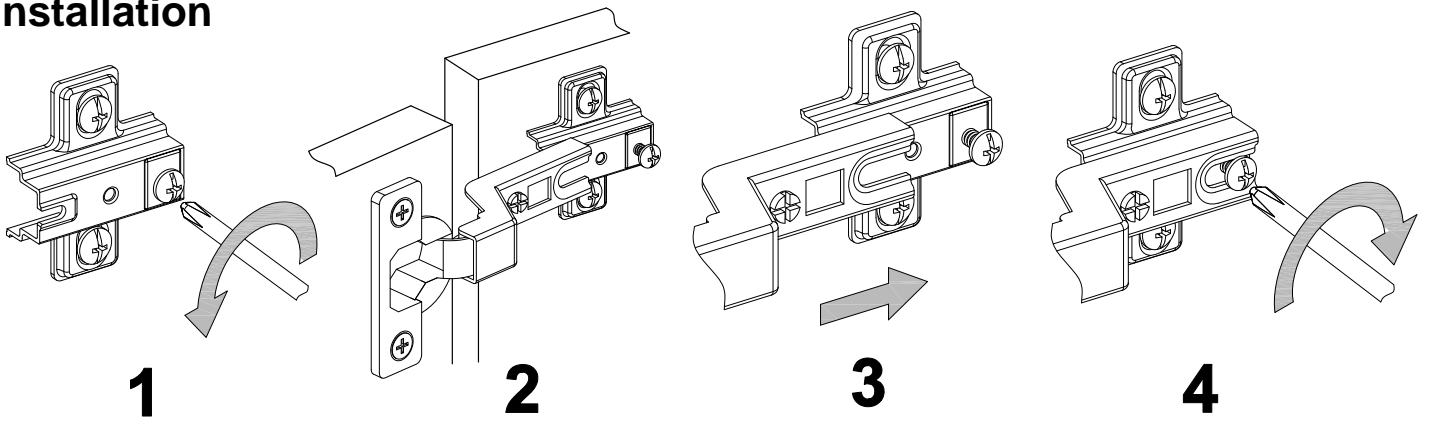
Caution, Storing electronic equipment may result in equipment overheating.

Shelves located behind doors are not intended for storing electronic equipment. Placing electronic equipment in this area may result in equipment overheating

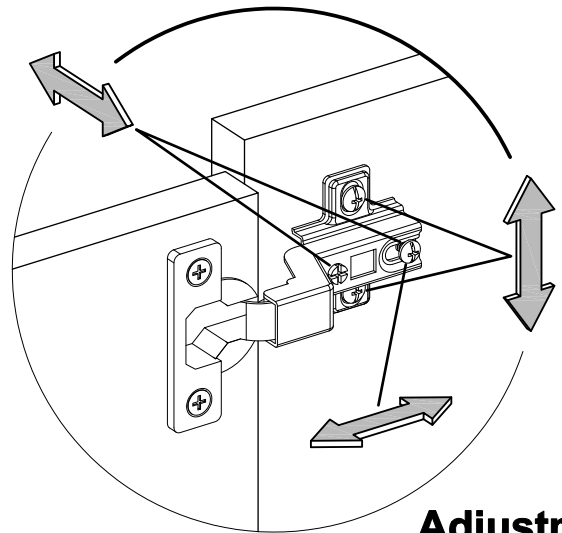


STEP 21

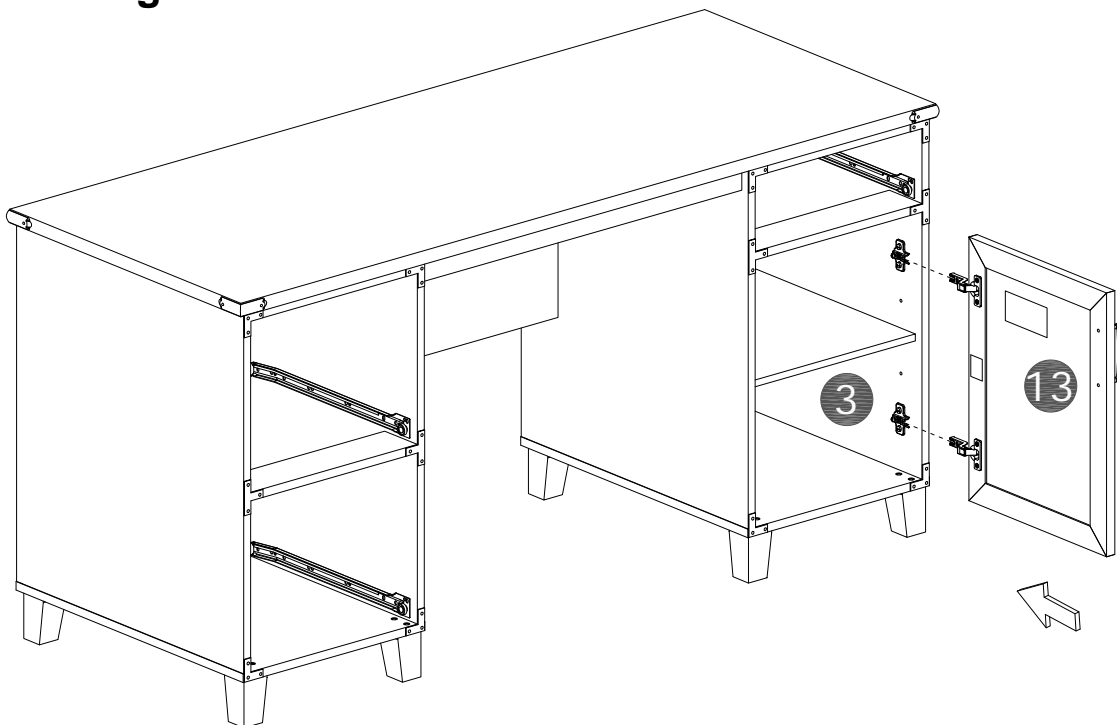
Installation



**DO NOT Insert
Hinge beneath mount**



Adjustment



STEP 22

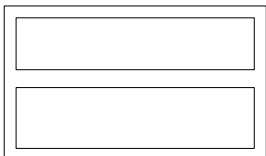
- Move unit to final location.
- Adjust drawer fronts as shown below.

Step1--Loosen screws on back of drawer front brackets as shown.

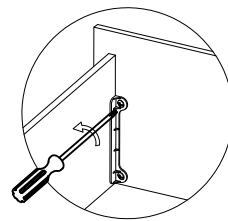
Step2--Position drawer front as required.

Step3--Tighten screws while holding drawer front in position.

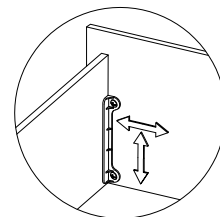
DRAWER FRONT VIEW



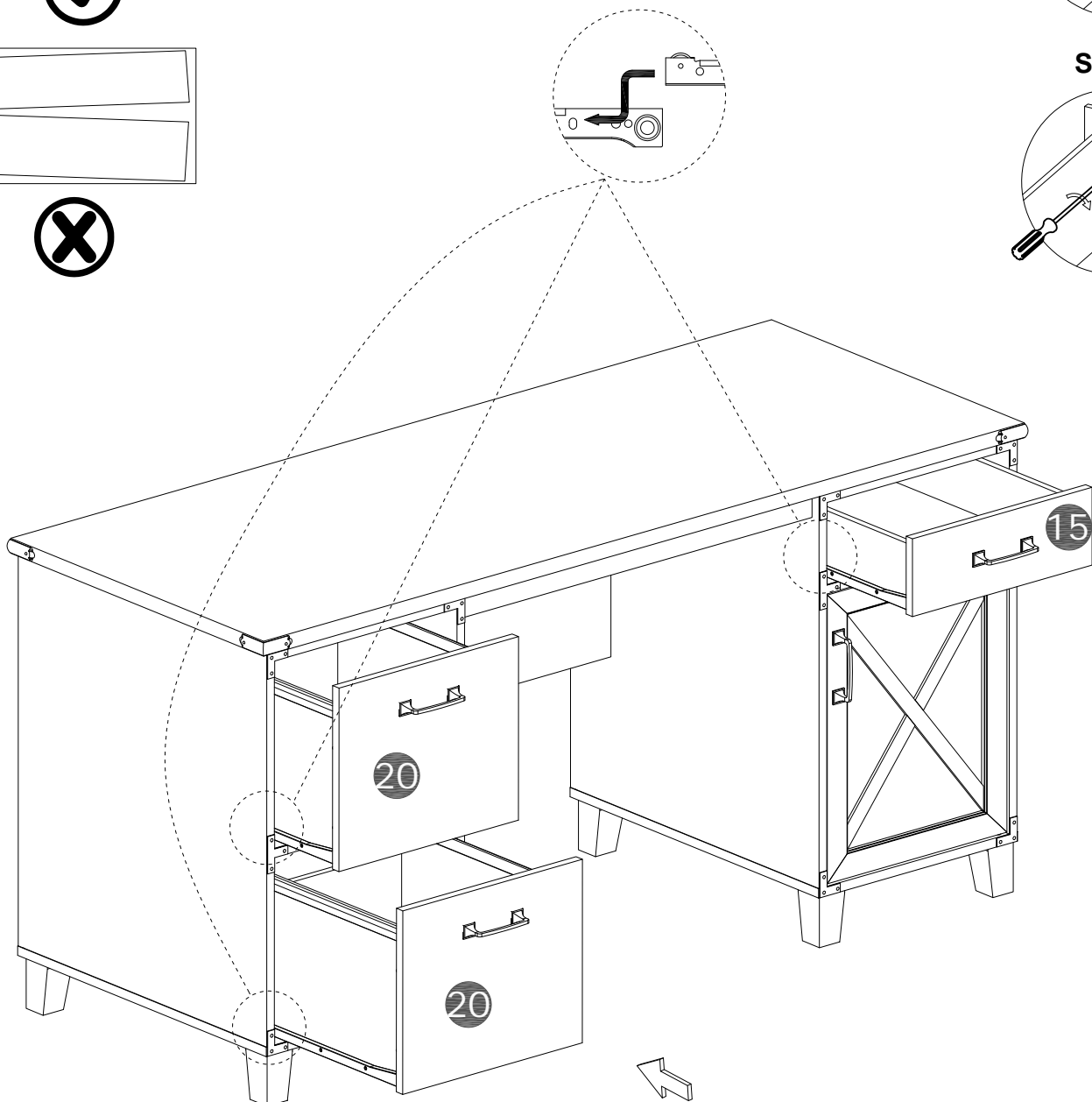
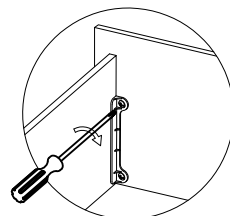
STEP 1.



STEP 2.



STEP 3.



Maximum weight capacities

