

# Assembly Instruction



## BEFORE YOU START

Please check the parts list before installation to ensure all parts are present. If there is anything missing or damaged, please directly contact us by e-mail for replacement parts.

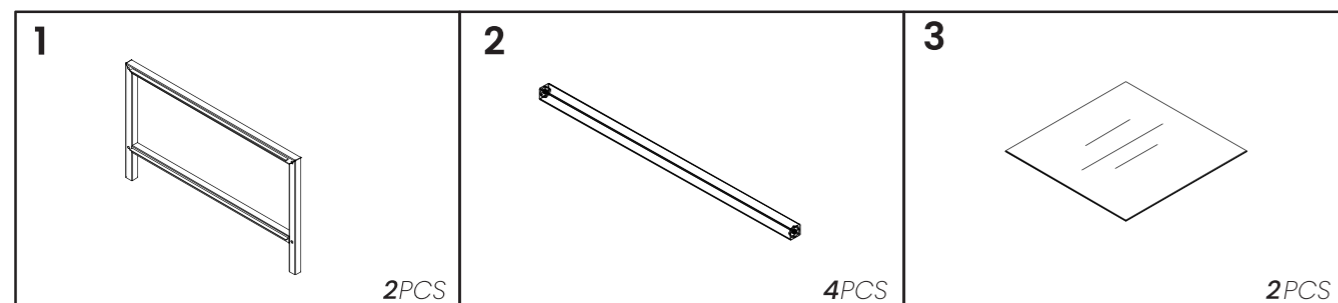
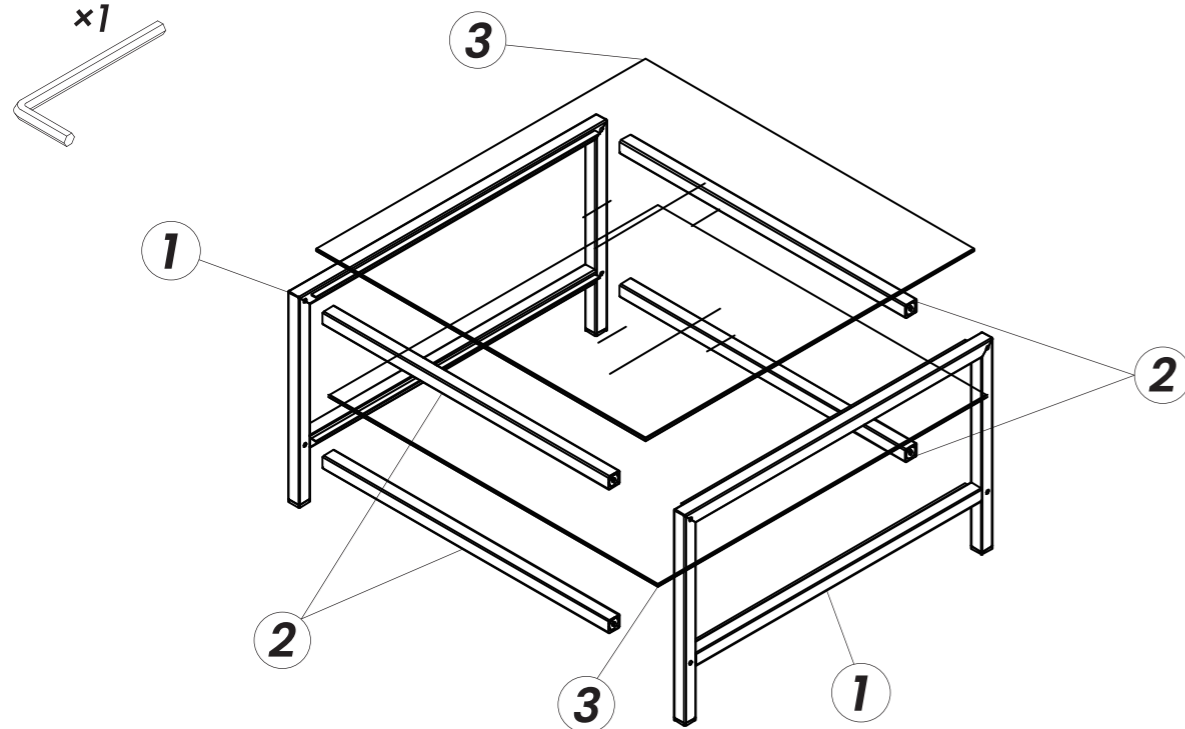
Participant: 

Required tools: 

## PARTS LIST



<b>A</b>		M6* 35mm x8	<b>B</b>		x12
----------	---	----------------	----------	---	-----

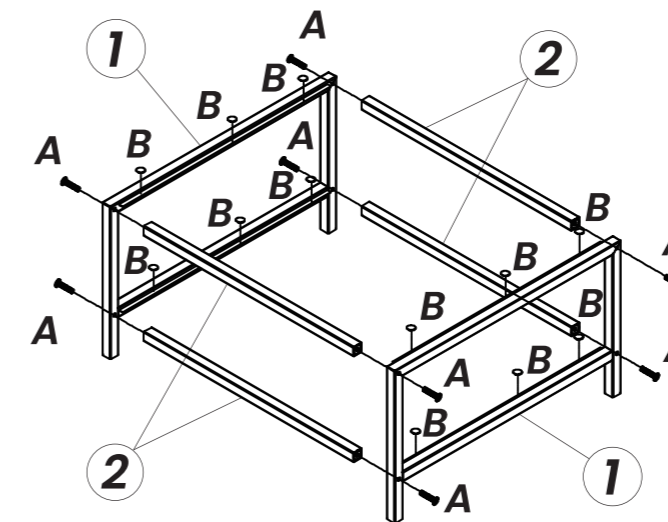
Allen wrench  
x1



## STEP 1

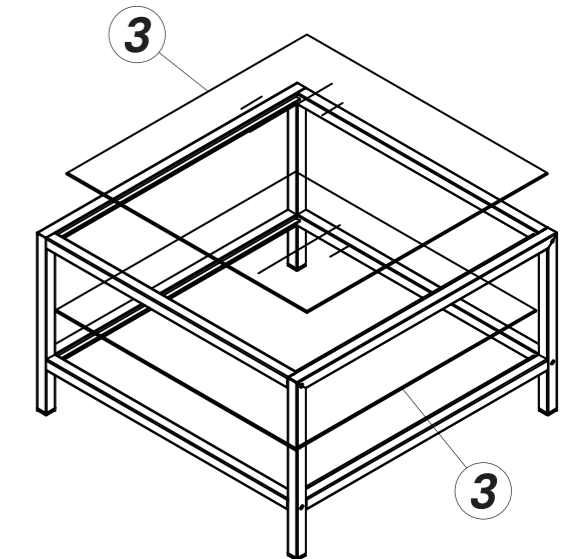
Please connect part ② to part ① with **Screw A**, then put the 12pcs silent **gaskets B** onto the ① frame;

<b>A</b>		M6* 35mm x8	<b>B</b>		x12
----------	---	----------------	----------	---	-----



## STEP 2

Please Place the glass ③ top onto the frame softly.



## FINISH

Enjoy your new glass coffee table.

**Note:** A Gentle Reminder.

In daily use, do not put any sharp or rough things directly on the glass top for a longer using life.

