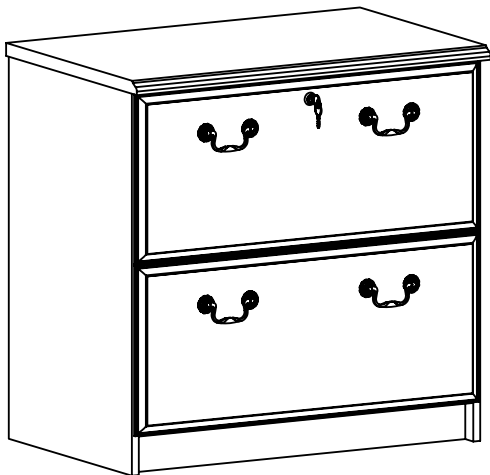


ASSEMBLY INSTRUCTIONS

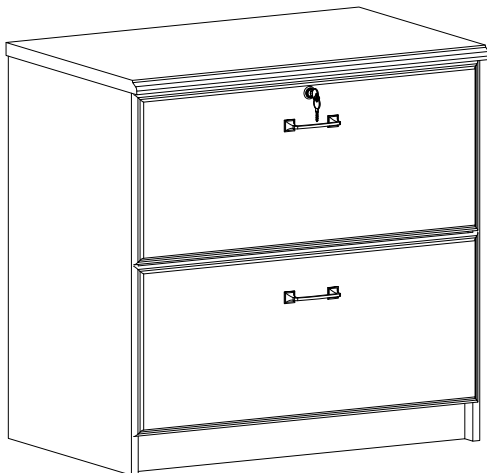
ITEM#: YH4101/YH4112/YH4125

Important Safety Instructions:

- Please read all instructions before beginning assembly
- Please make sure receive all the parcels to start the assembly
- For your safety and convenience, assembly by two people is recommended
- Use the parts and hardware lists to identify and separate each of the components included
- Save all packing materials until assembly is completed to avoid the accidental discarding of smaller parts or hardware



YH4112



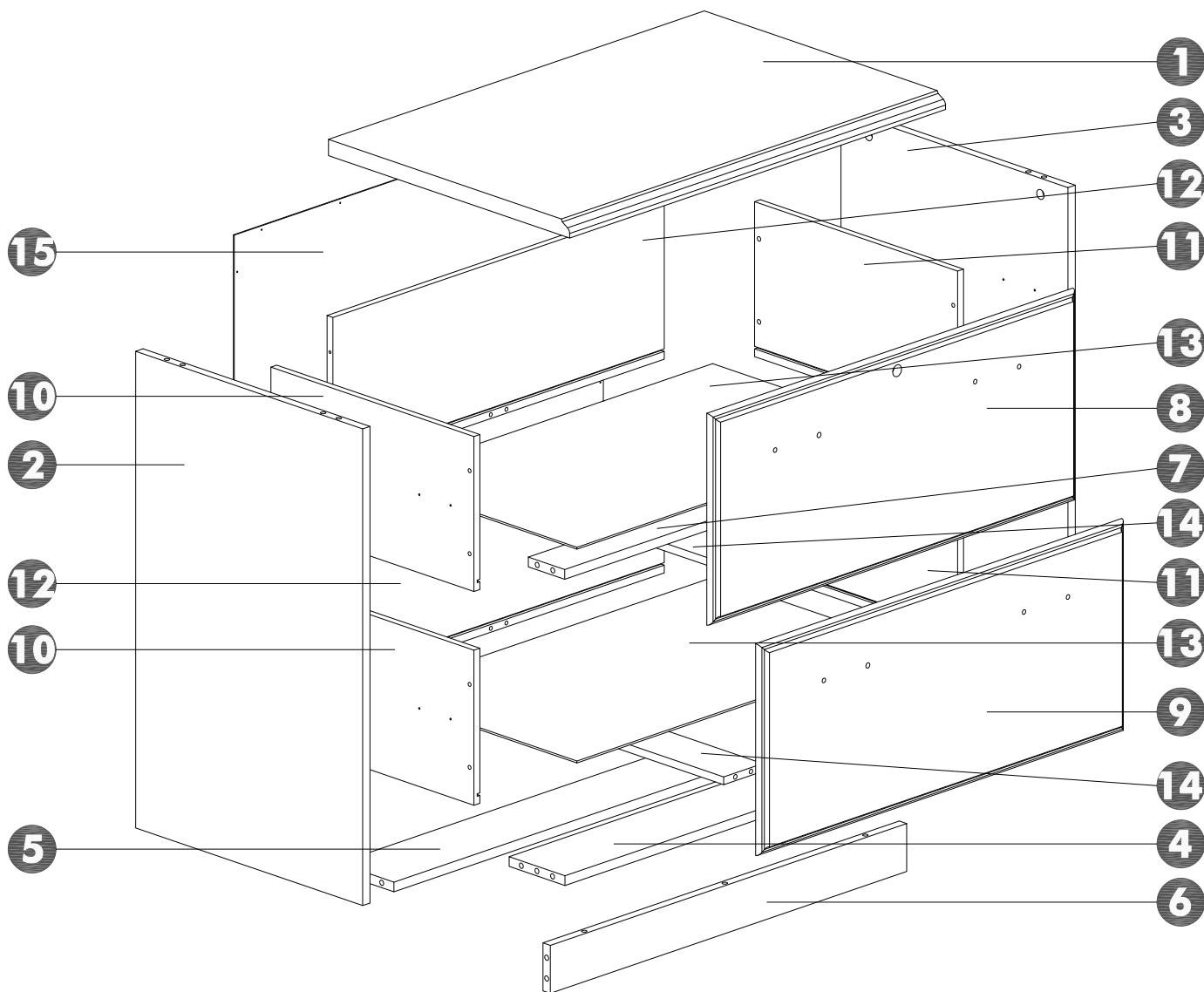
YH4101
YH4125



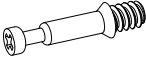

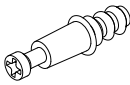
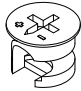

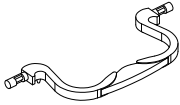
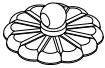


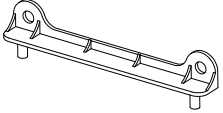
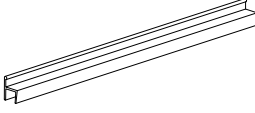
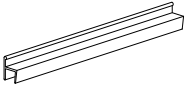

THANK YOU FOR PURCHASING

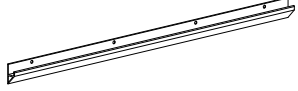
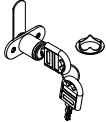

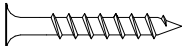
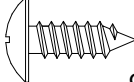
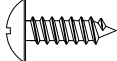

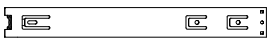
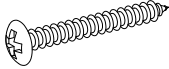

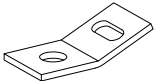
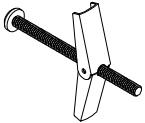

PARTS LIST

① X1	② X1	③ X1	④ X1	⑤ X1
⑥ X1	⑦ X1	⑧ X1	⑨ X1	⑩ X2
⑪ X2	⑫ X2	⑬ X2	⑭ X2	⑮ X1

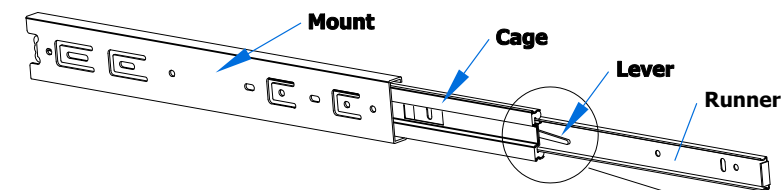


HARDWARE LIST

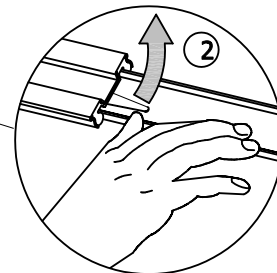
Name	Part	Qty.	Spare		
A		10	1		
B		10	1		
C		4	1		
D		4	1		
E		21	1		
F	Y H 4		4		
G	1				8
R	1 2				
F	Y H 4 1		2		
R	Y H 4 1 0 1 2 5			 3/4" Bolt	4
H		4			
I		2			
J		4			
K		4			

Name	Part	Qty.	Spare
L		2	
M		1	
N	 9/16" Screw	2	
O	 1-1/2" Screw	12	
P	 9/16" Screw	8	
Q	 1/2" Screw	40	3
S	 3/4" Nail	17	2
T	 16" Slide	4	
U1		1	
U2		1	
U3		2	
U4		1	
U5		1	

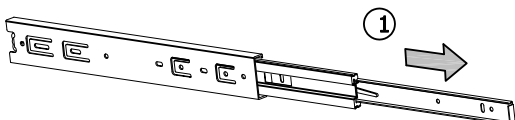
**Slides Must Be Separated Before Assembly.
After Separated, Set Aside Until Needed for Assembly.**



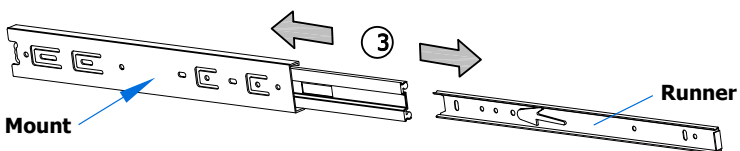
STEP 2: Push Lever UP



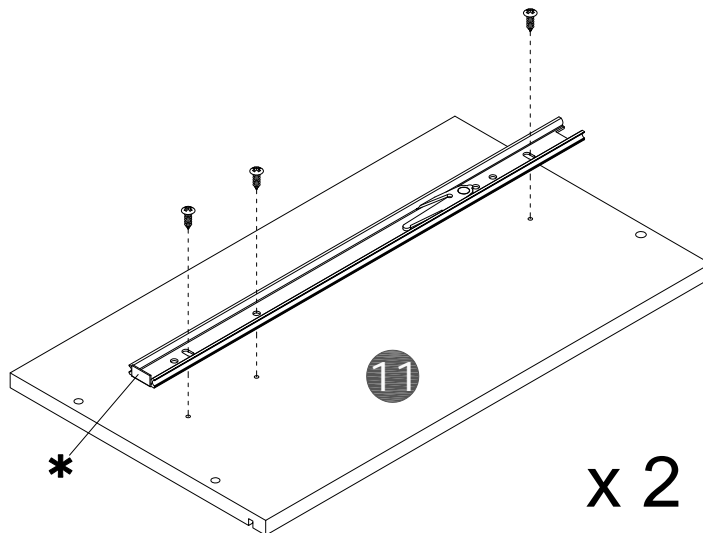
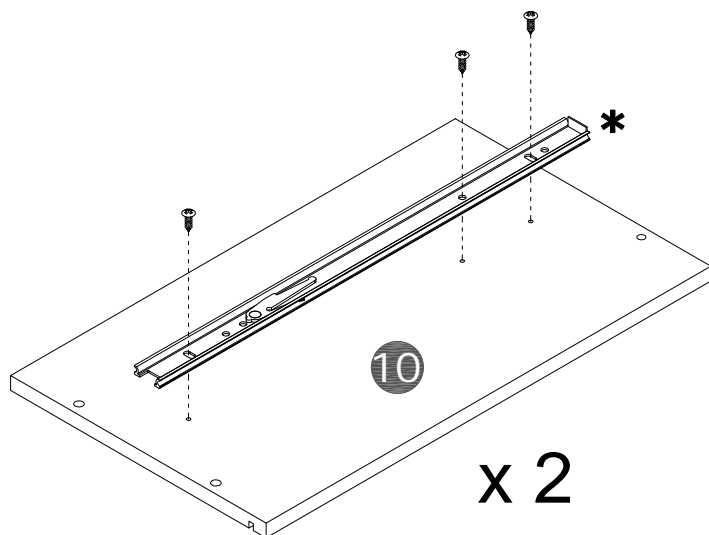
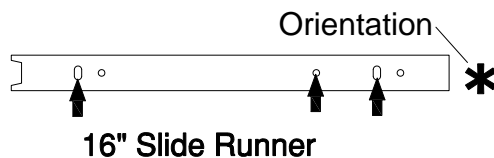
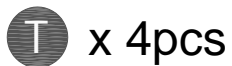
STEP 1: Extend Slide



STEP 3: Remove Runner

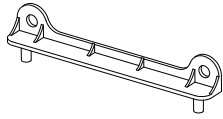


STEP 1

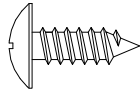


STEP 2

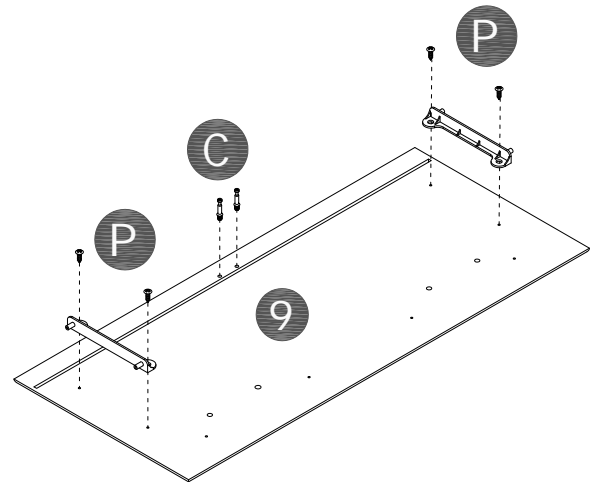
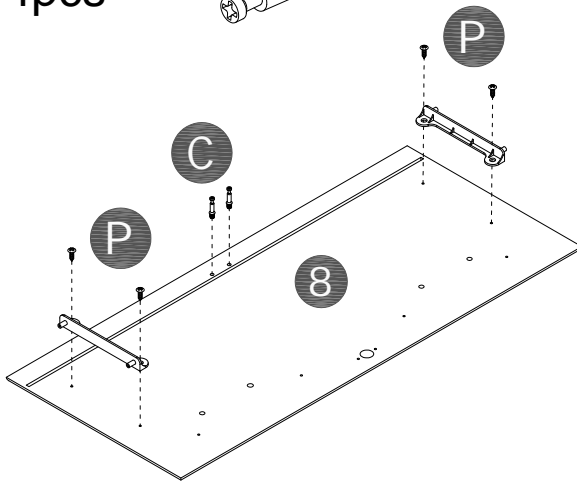
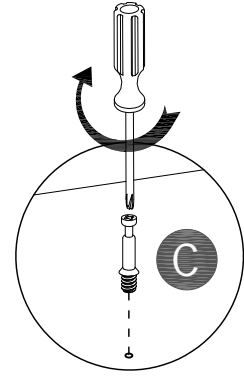
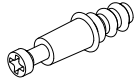
H x 4pcs



P x 8pcs

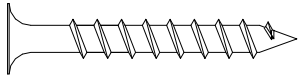


C x 4pcs

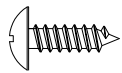


STEP 3

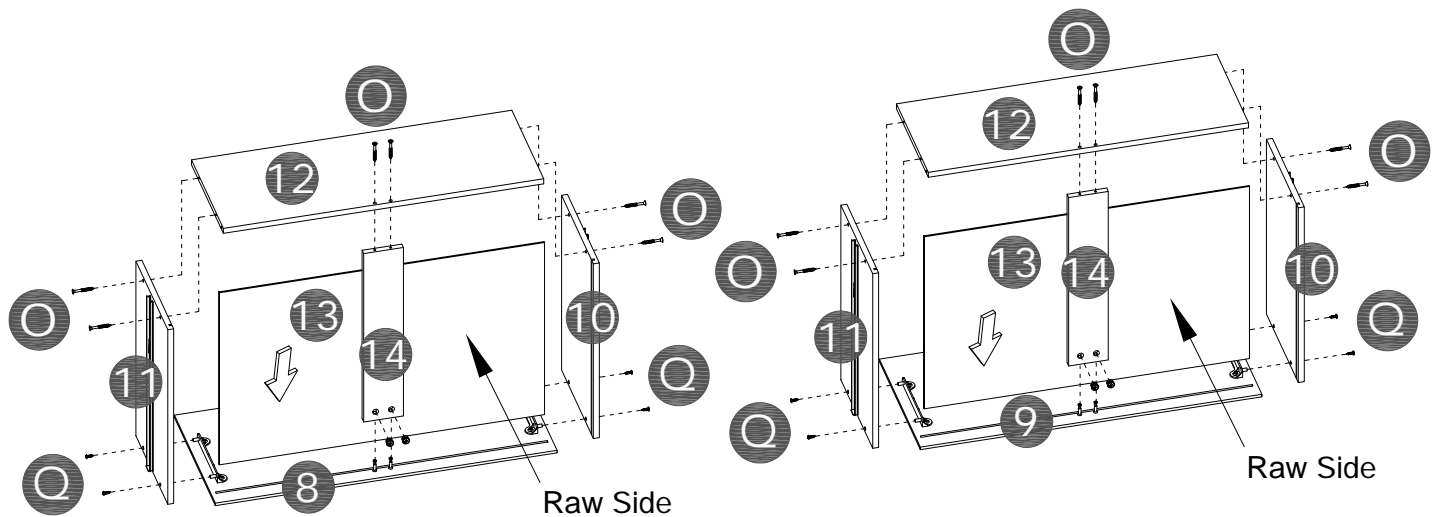
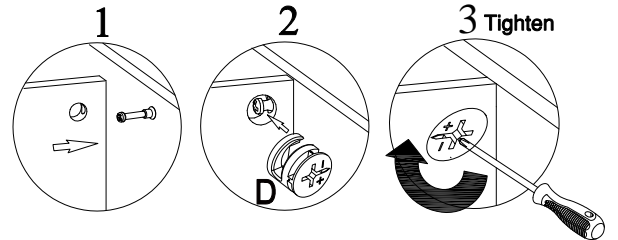
O x 12pcs



Q x 8pcs

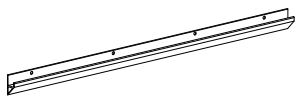


D x 4pcs

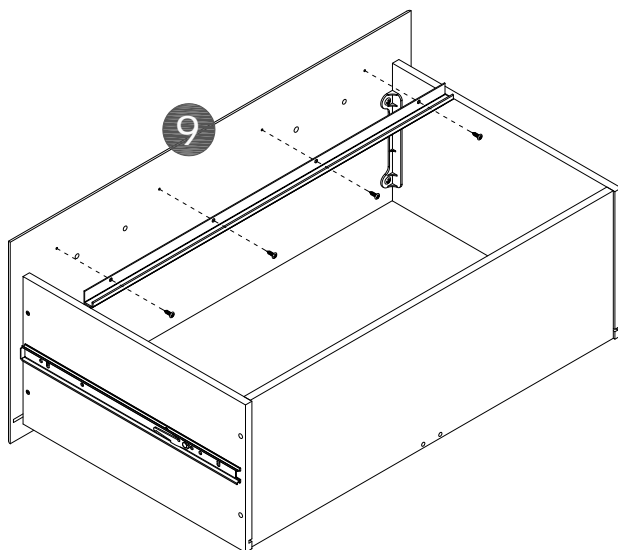
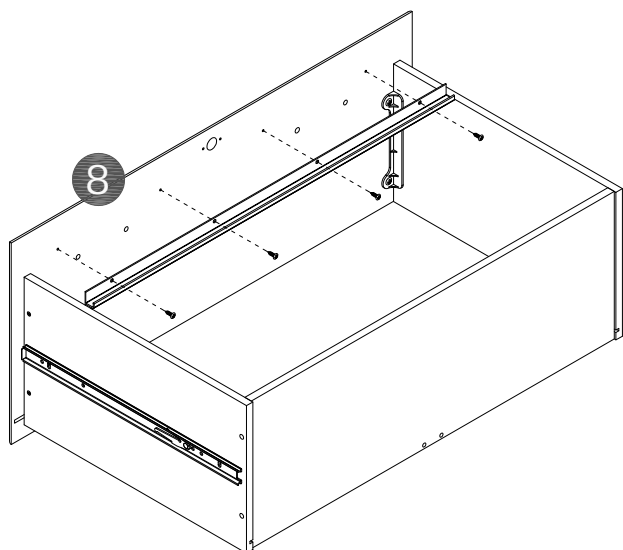
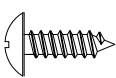


STEP 4

L x 2pcs

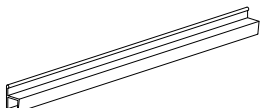


O x 8pcs



STEP 5

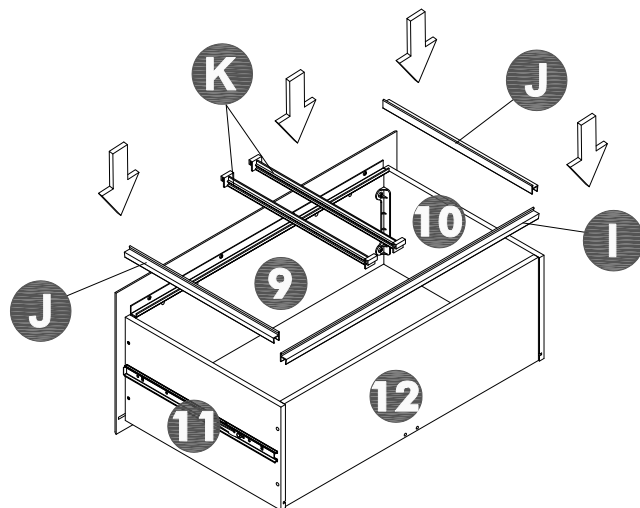
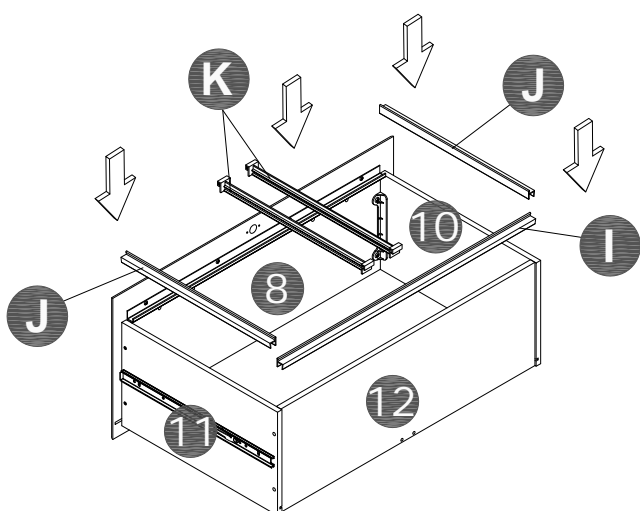
I x2pcs



K x4pcs

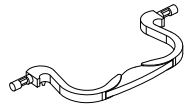


J x4pcs

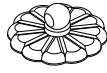


STEP 6

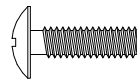
F x 4pcs



G x 8pcs

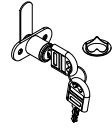


R x 8pcs

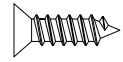


Y
H
4
1
1
2

M x 1pc



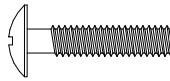
N x 2pcs



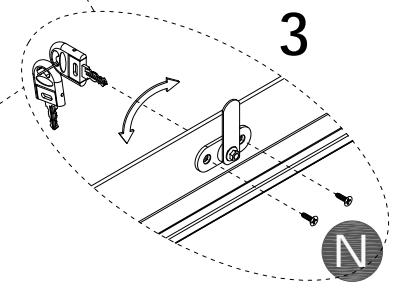
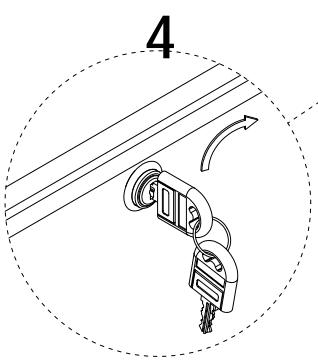
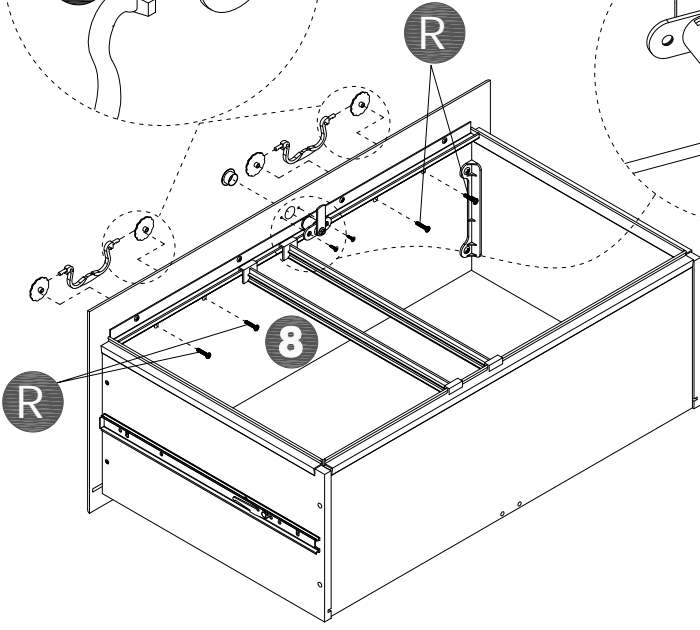
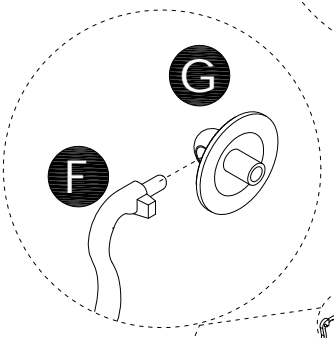
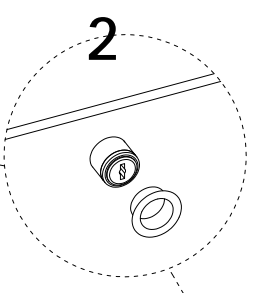
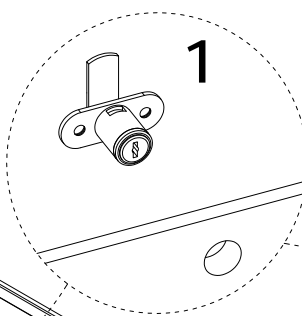
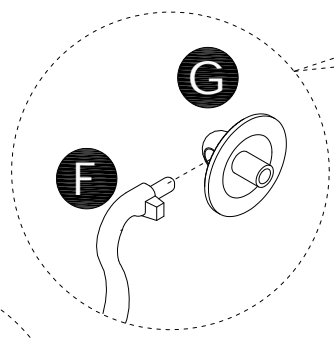
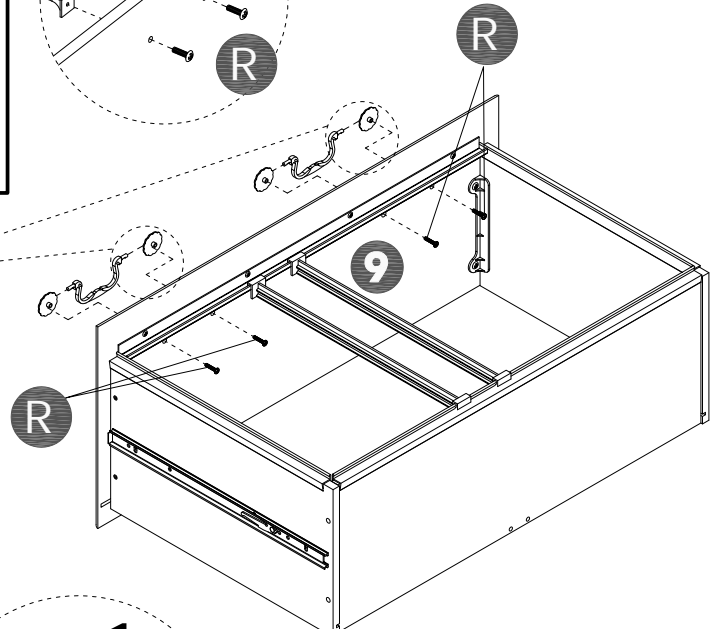
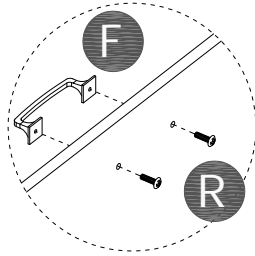
F x 2pcs



R x 4pcs

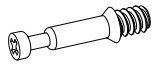


Y	Y
H	H
4	4
1	1
0	2
1	5



STEP 7

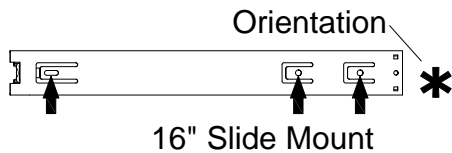
A x 10pcs



E x 21pcs

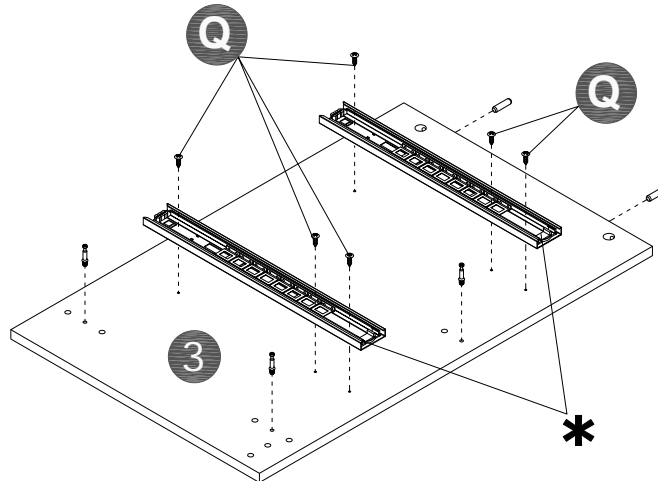
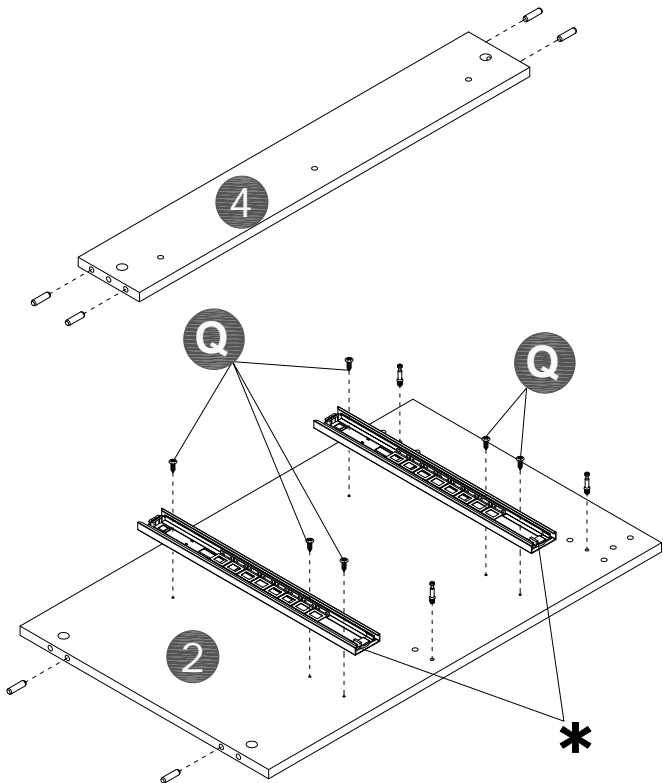
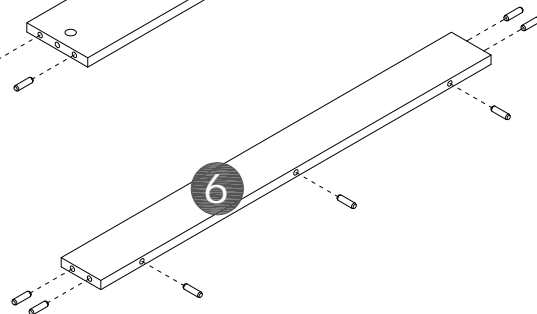
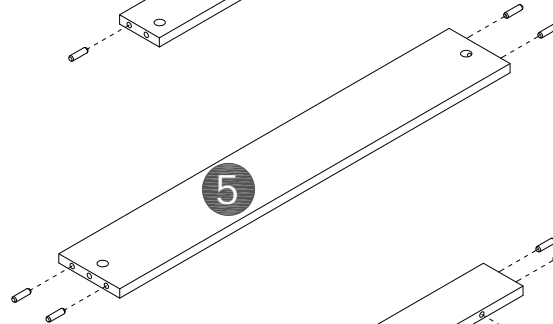
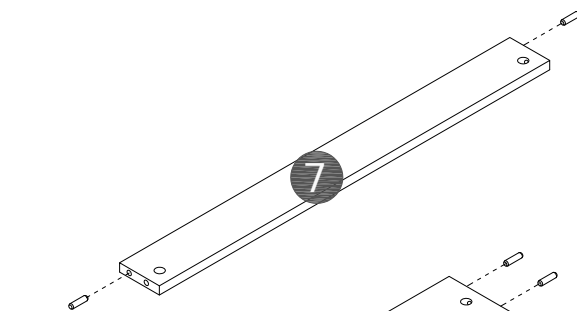
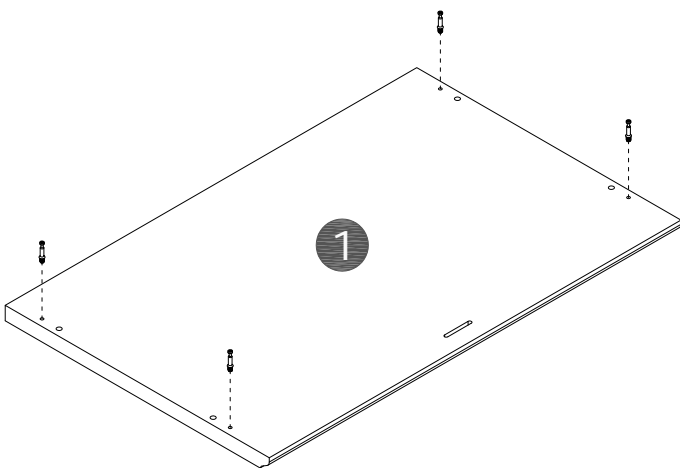
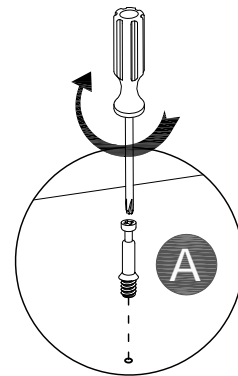
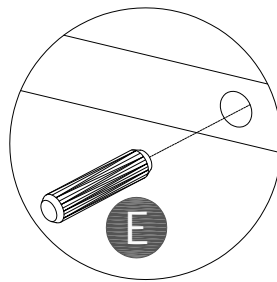
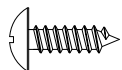


T x 4pcs

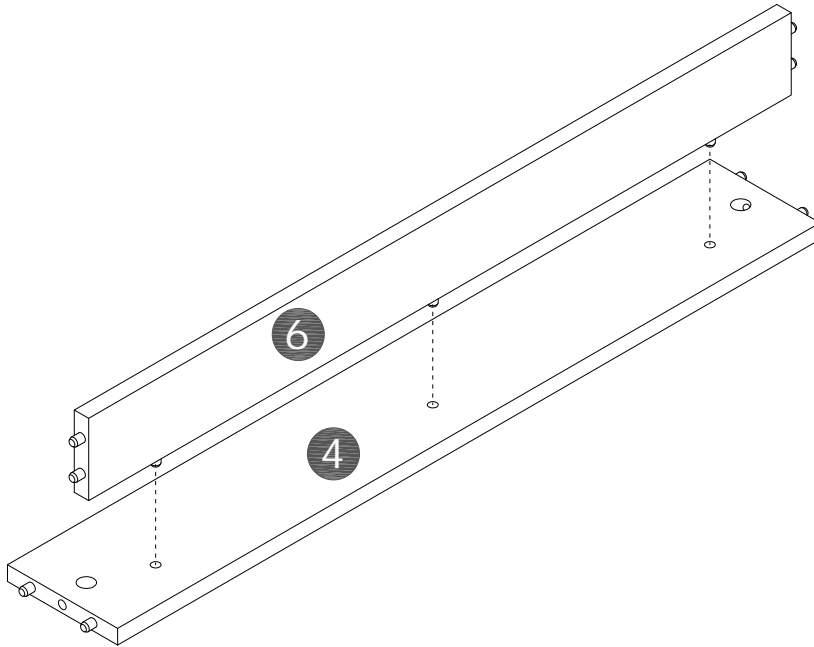


16" Slide Mount

Q x 12pcs

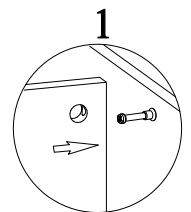
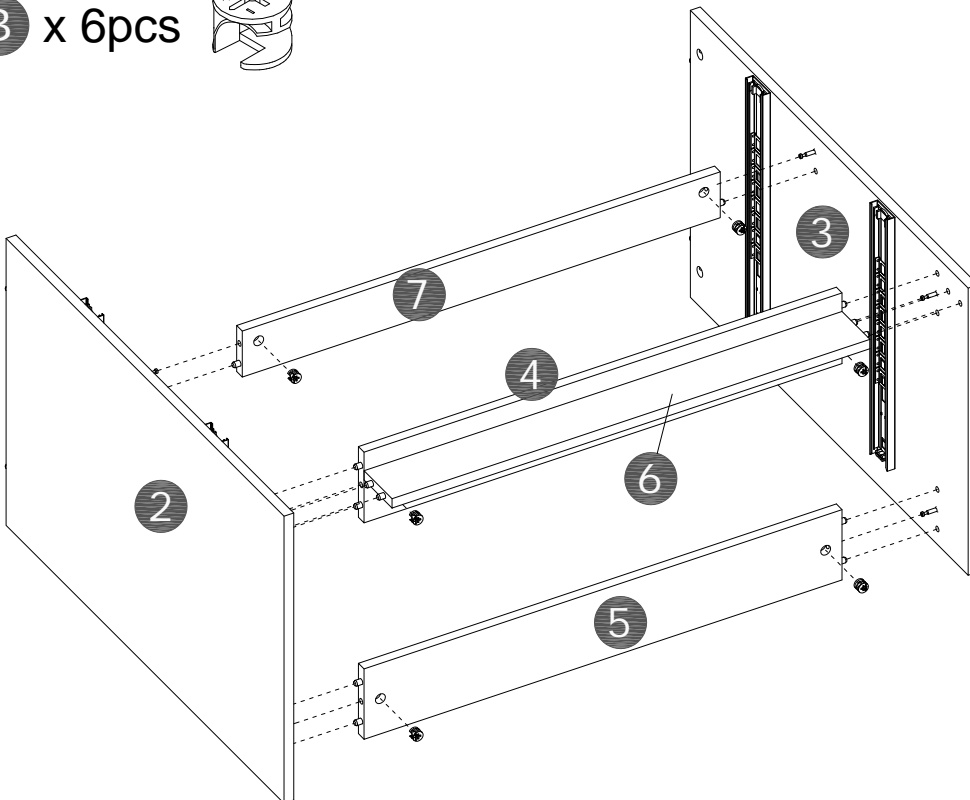
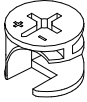


STEP 8

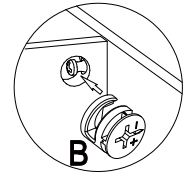


STEP 9

B x 6pcs

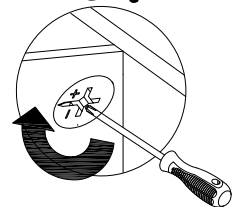


1



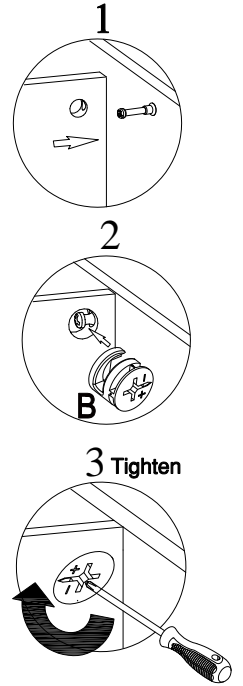
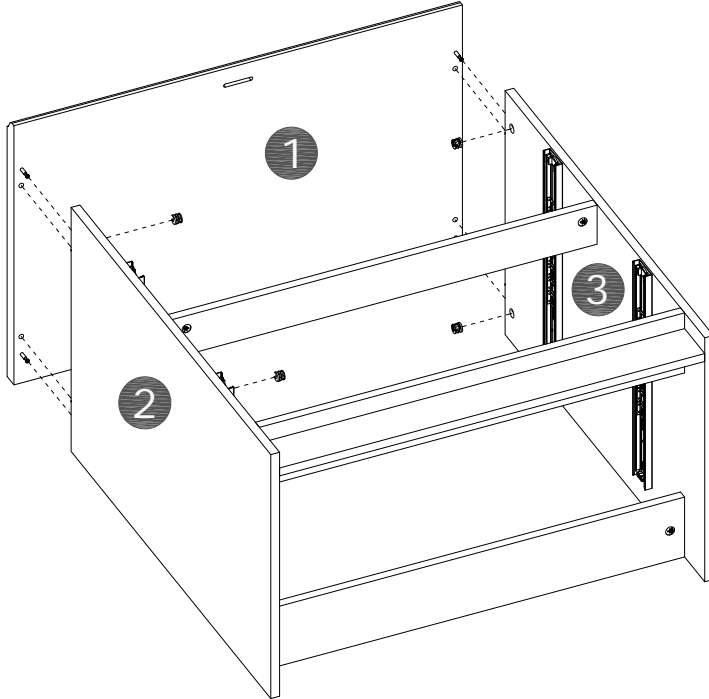
2

3 Tighten



STEP 10

B x 4pcs

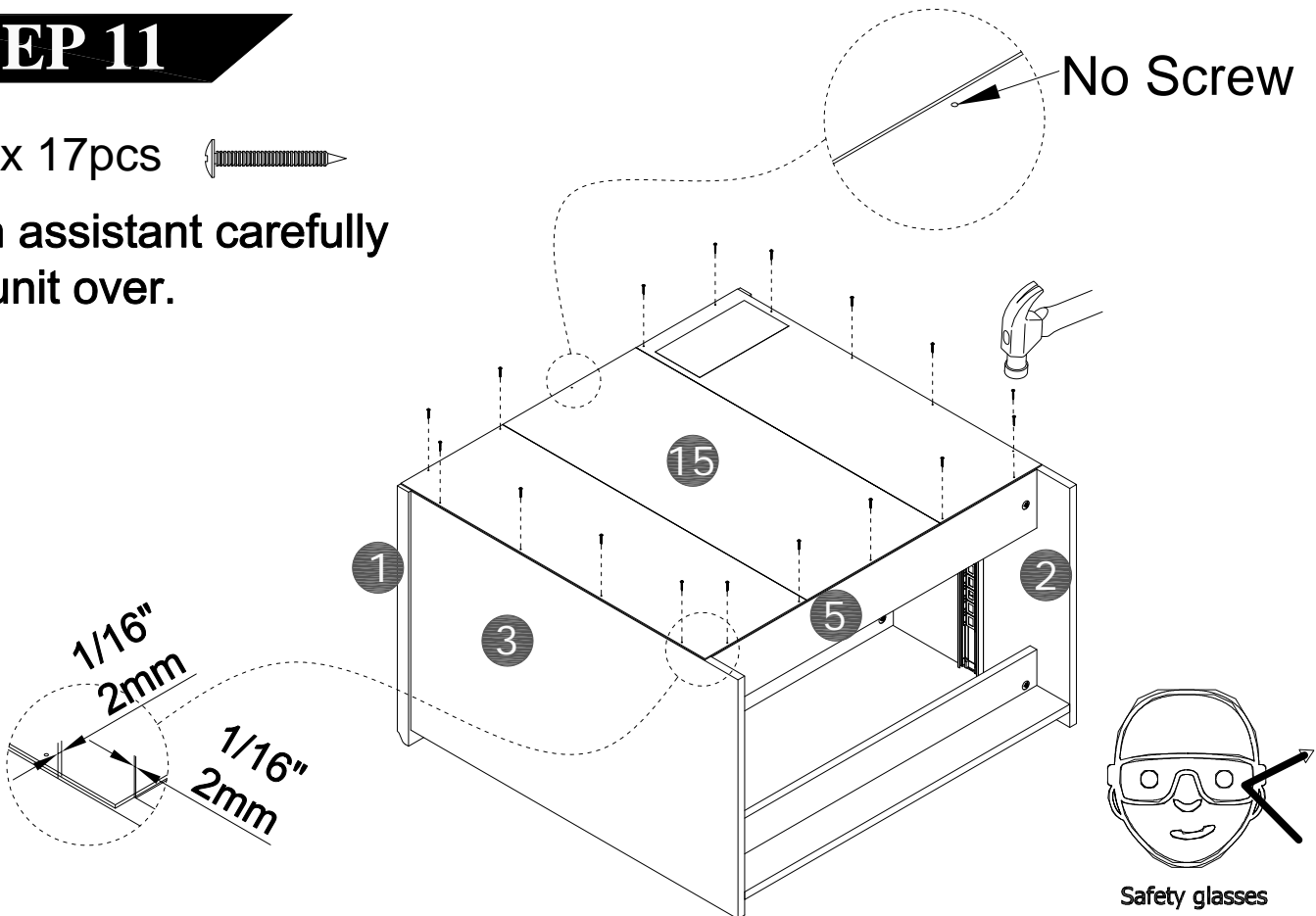


STEP 11

S x 17pcs



With assistant carefully flip unit over.



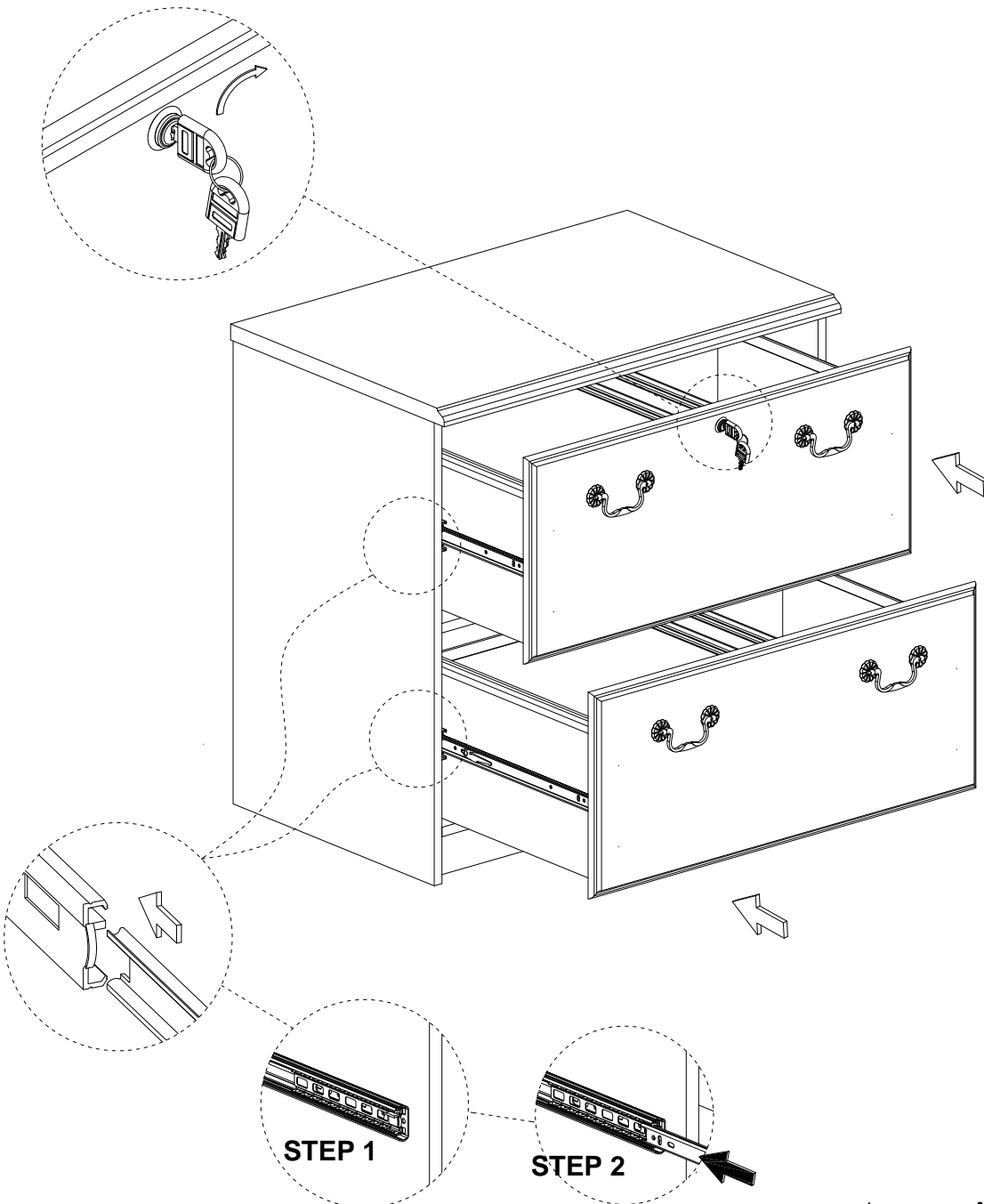
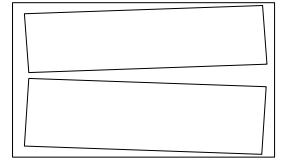
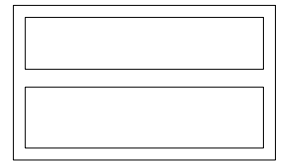
STEP 12

- Move unit to final location.
- Adjust drawer fronts as shown below.

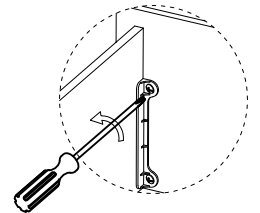
- Step1--Loosen screws on back of drawer front brackets as shown.
- Step2--Position drawer front as required.
- Step3--Tighten screws while holding drawer front in position.

With assistant carefully stand unit up.

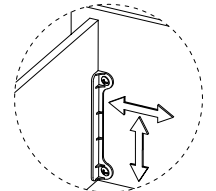
DRAWER FRONT VIEW



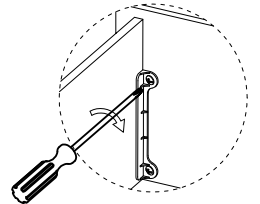
STEP 1.



STEP 2.



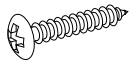
STEP 3.



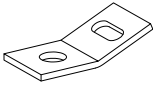
An assistant is required.

STEP 13

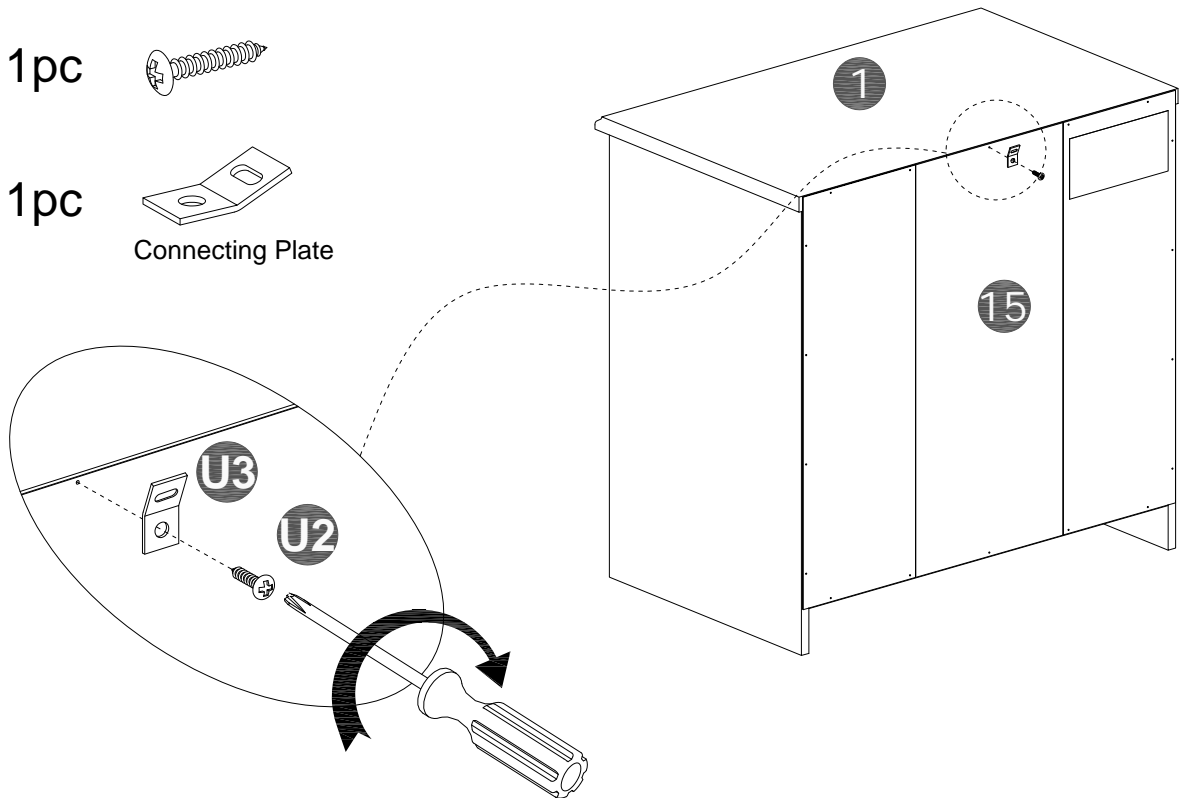
U2 x 1pc



U3 x 1pc

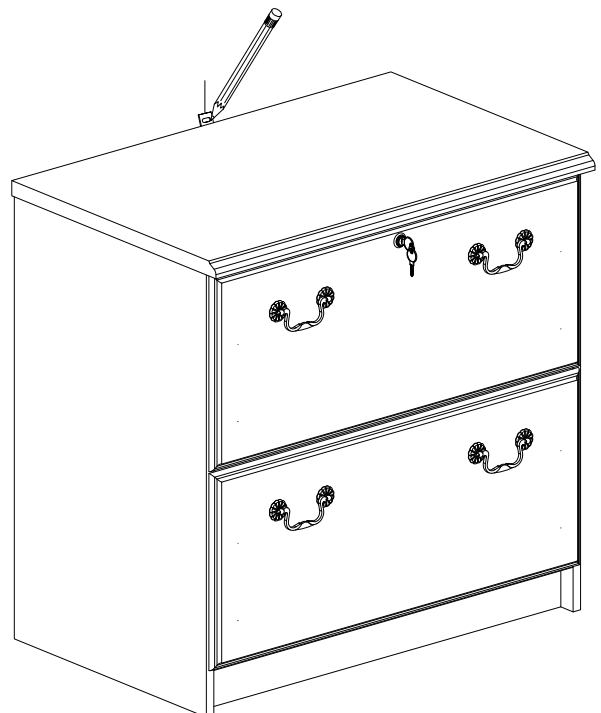
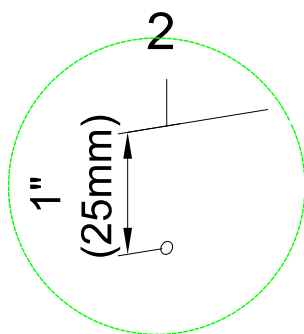
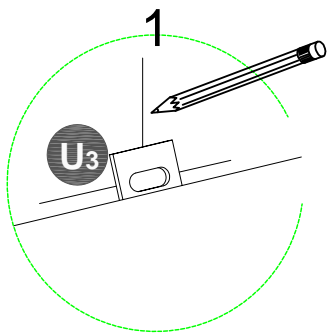


Connecting Plate



STEP 14

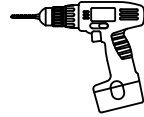
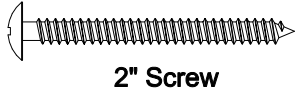
1. Place unit in desired location.
2. Locate wall stud nearest unit center.
3. On wall, mark center of stud location 1" below top of unit.
4. If a wall stud cannot be located mark hollow wall at unit center.



STEP 15

WALL STUD ATTACHMENT

U₁ x1pcs



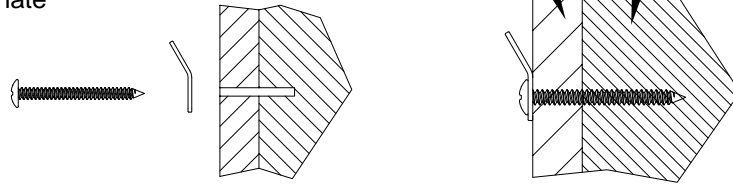
Drill 1/8" hole 2" deep at mark on wall.

U₃ x1pcs



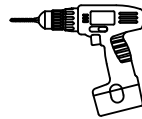
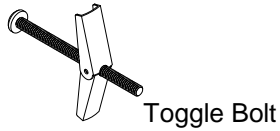
Drywall
Paneles de yeso
cloisons sèches

Wood stud
Montante de madera
Stud bois



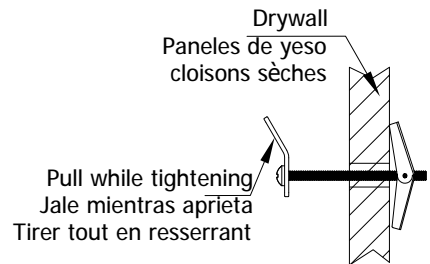
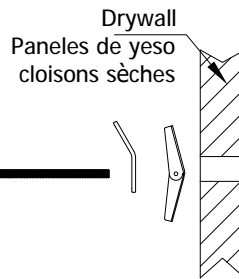
HOLLOW WALL ATTACHMENT

U₄ x1pcs



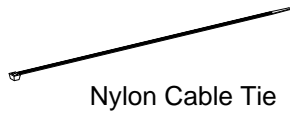
Drill 1/2" hole 1" deep at mark on wall.

U₃ x1pcs



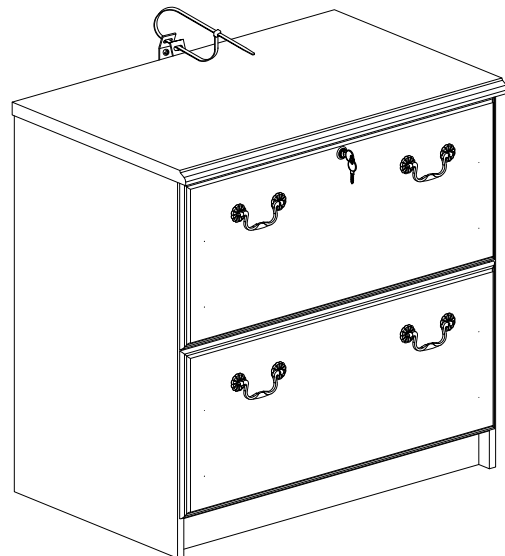
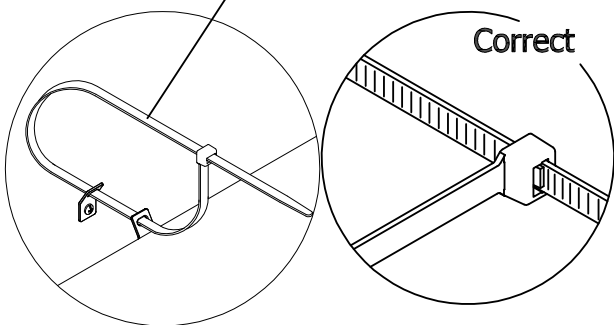
STEP 16

U₅ x 1pc

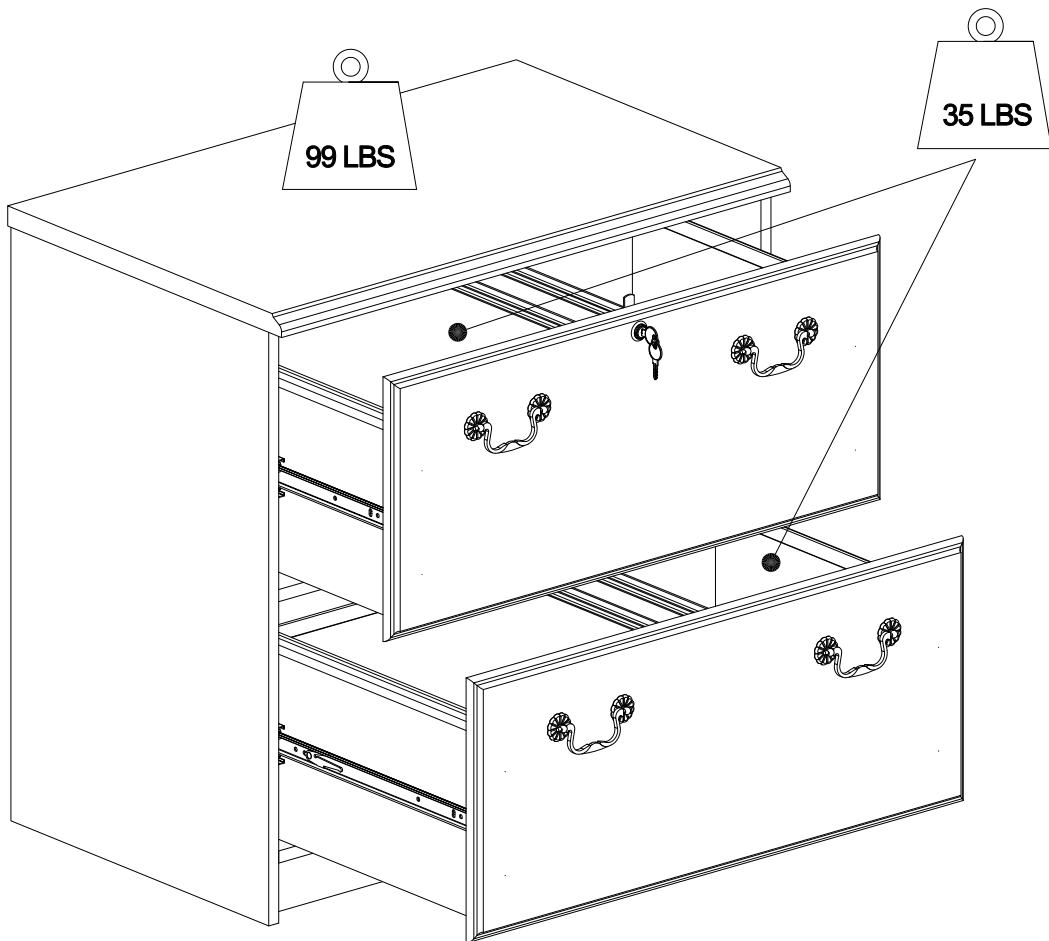


Pull to verify lock

Correct



Maximum weight capacities



THIS PAGE INTENTIONALLY LEFT BLANK

What is Proposition 65?

Proposition 65 is a California law that requires warning labels on products that may contain one of more than 800-plus chemicals or ingredients that the California Office of Environmental Health Hazard Assessment (OEHHA) has deemed to cause cancer or other reproductive toxicity. Chemicals and elements on this list include wood dust, brass, and other everyday substances, which can be found in very common household items, such as: lamps, tableware, jewelry, crystal glasses, electric cords, beauty products, automobiles, and furniture.

Why Did I Find a Proposition 65 Warning on My Home Goods Product?

We include Proposition 65 warnings on all of our products because there is always a chance that one of the 800-plus common chemicals and ingredients listed under this law could potentially be on our furniture or packing materials. We risk large fines under this law, if we don't include this warning.

Should I worry?

We realize you may be worried finding this warning on our products, but we want to reassure you that the hazardous exposure limits for any of these chemicals have never been found on furniture products that we've shipped to our customers. Additionally, this warning label is very common and can be found on almost every piece of furniture sold in the state of California.

Just How Common Are Proposition 65 Warnings?

Proposition 65 warnings have become so common in California that it is hard to take a trip to local bank, grocery store, or restaurant without finding at least one warning. In fact, even the Disney Land Resort has a Proposition 65 warning:

