



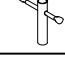






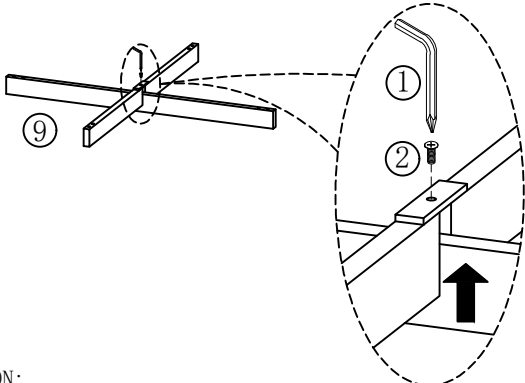
ASSEMBLY INSTRUCTION

Thank you for purchasing this quality product. Be sure to check all packing material carefully for small parts which may have come loose inside the carton during shipment. Identify and count all parts and compare with the Parts list below:

NO.	PART	DESCRIPTION	Q. TY
1		Allen Wrench:M4	1
2		Bolt:5/32"*1/2"	9
3		Screw:M8*587mm	4
6		Hex nut:M8	4

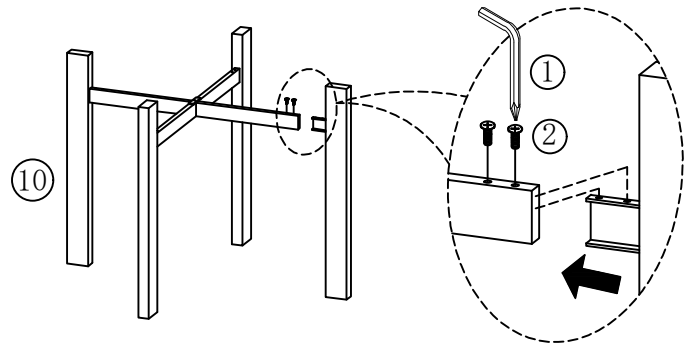
7		Socketspanner:M8	1
8		Pipe plugs:30*60mm	4
9		Metal rail	2
10		Leg	4
11		Glass	1

Step1



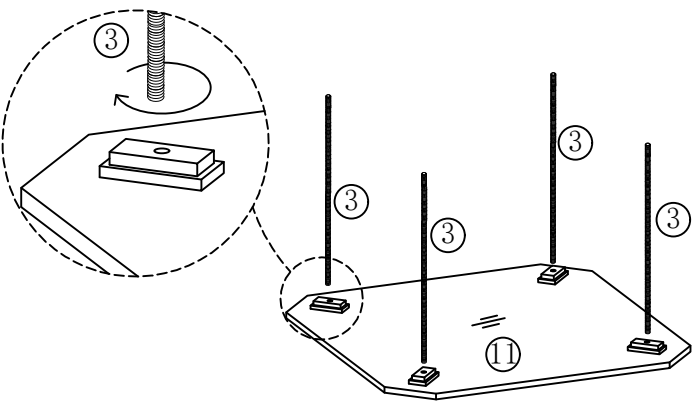
ATTENTION:
Do not tighten 100%!!
Tighten it 100% after step4

Step2

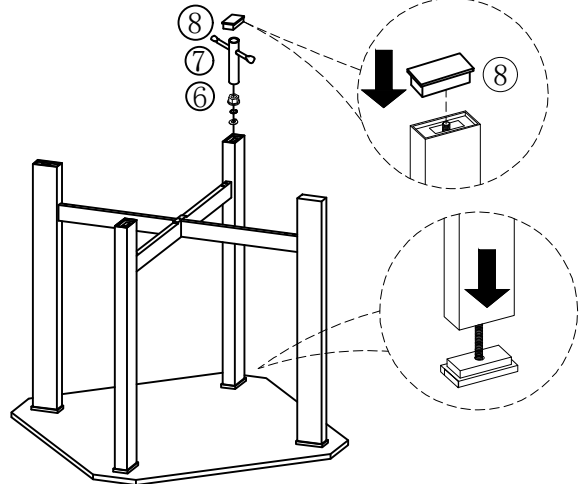


ATTENTION:
Do not tighten 100%!!
Tighten it 100% after step4

Step3



Step4
Finish



ASSEMBLY INSTRUCTION

- Carefully unwrap the furniture and place all parts on a clean soft blanket
- Using bolt (2) and Allen Wrench(1) to fasten two rail as step 1
- Using bolt (2) and Allen Wrench (1) attach each leg (10) to the rail in step 2, but do not tighten 100%
- Using screw (3) attach the frame to the top in step 3
- Using washers 4、 5、 6、 7and Pipe plugs(8) attach the frame to the top in step 4
- Enjoy your table for a long time to come