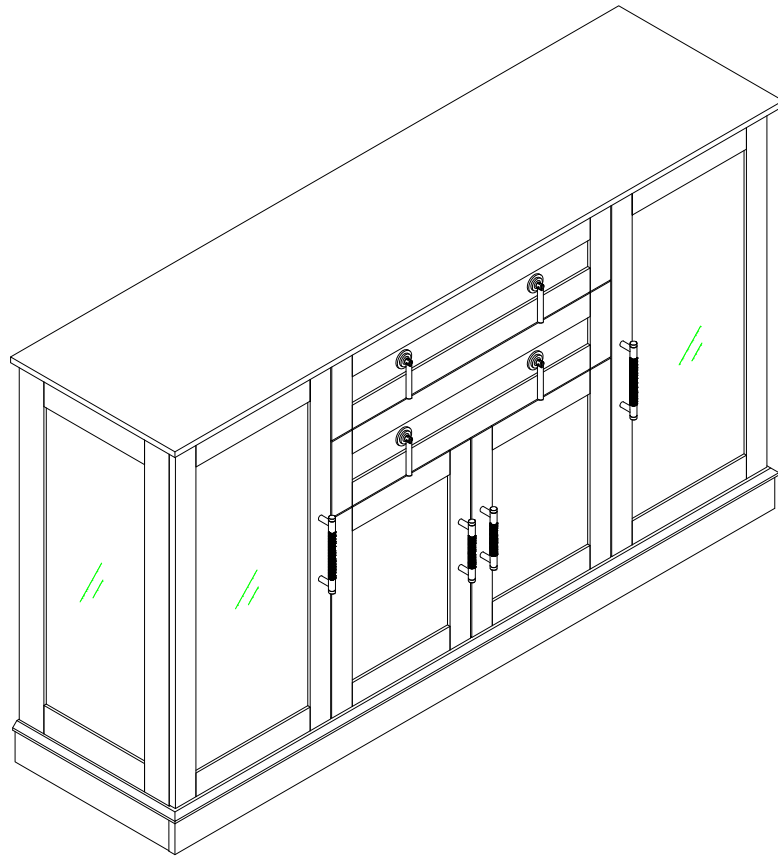


PZKJ-0038

PZKJ-0039

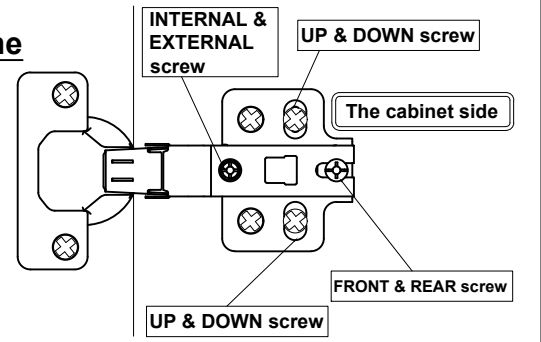


# The ways to adjust the door

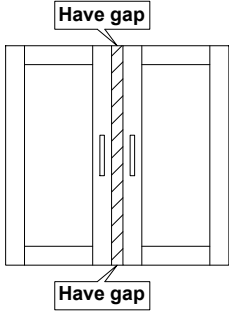
- Before adjusting the hinge, please check whether the cabinet is skewed.
- If the skew can not be repaired, please remove the anti-tipping device first, then adjust the cabinet to vertical position.
- Please adjust the hinge with the door open.
- Please operate it with more than 2 people, one person holds the door and the other one adjusts the screw.

## Components Name

The door side

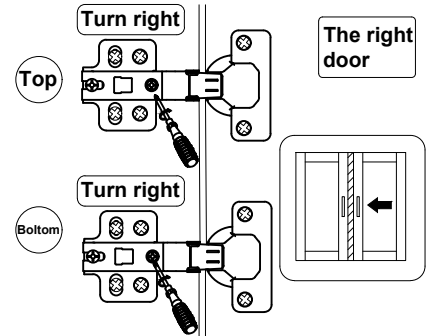
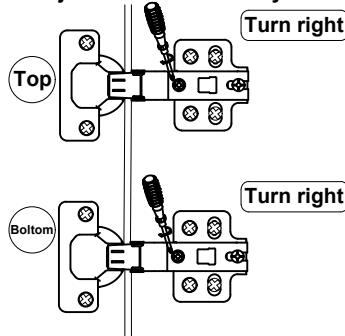


Obvious gaps between doors or Doors don't look closed



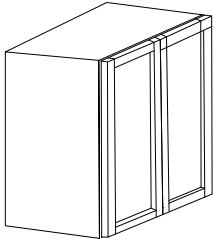
1 Turn "internal & external screw" to the right can make the door approach inside. Please adjust the doors little by little..

The left door



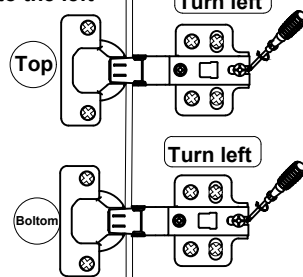
※ If the 2 doors are overlap, please turn the "internal & external screw" to the left.

When door is crooked

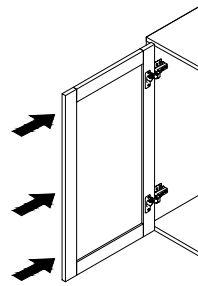


Please take the following steps to adjust first.

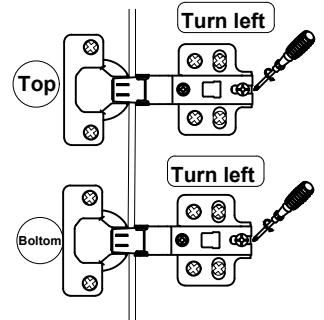
1 Rotate the "front and rear screws" to the left



2 Push the door to the cabinet

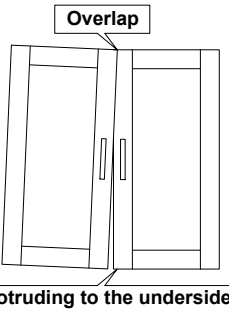


3 Rotate the "front and rear screws" to the right

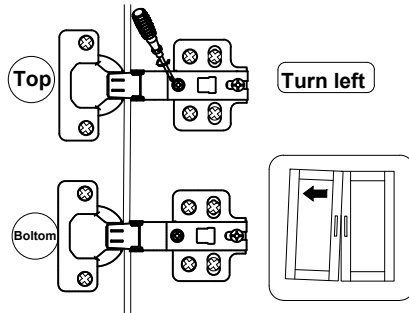


※ After adjusting the "front and rear screw", the door still does not change, please turn the "internal & external screw" to the right slightly.

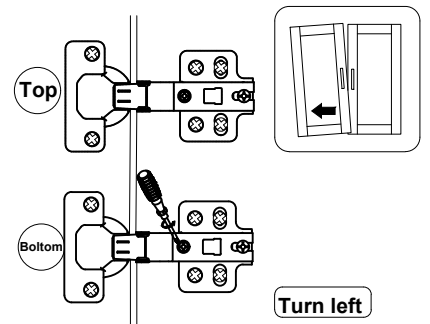
When door is leaning



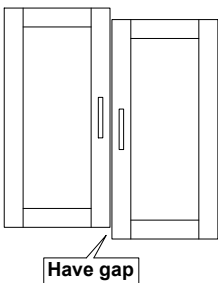
1 Turn "internal & external screw" to the left can make the top of the door tilted outward.



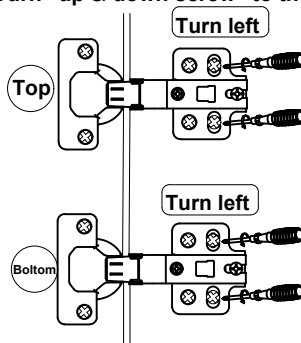
1 Turn "internal & external screw" to the left can make the top of the door tilted outward.



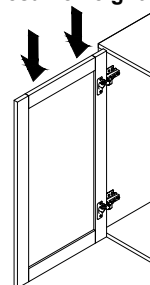
When door is higher on top



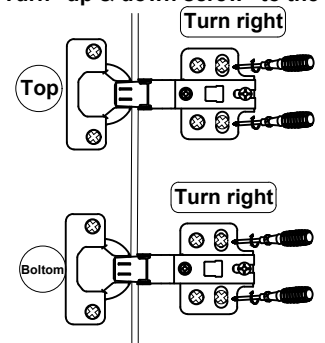
1 Turn "up & down screw" to the left



2 Lower the door's height so that 2 doors are of the same height.



3 Turn "up & down screw" to the right

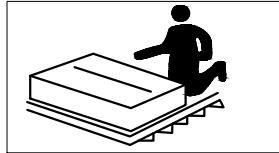


※ if the door is lower on bottom, please lift up the left door slightly on step 2

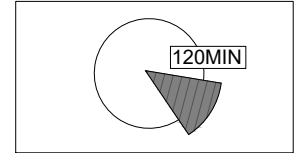
**"IMPORTANT, RETAIN FOR FUTURE REFERENCE: READ CAREFULLY"**




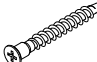

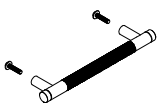
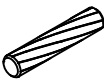
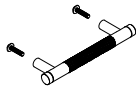
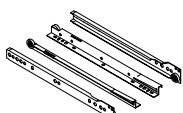


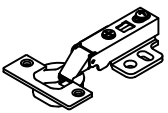

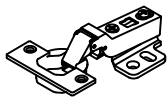


Recommended installers:2

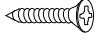
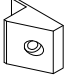


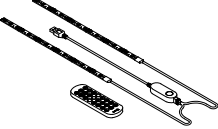




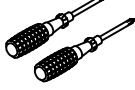
Put a carpet on the floor  
before unpacking

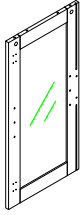
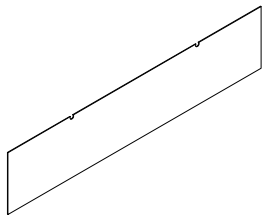
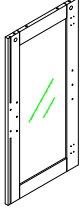
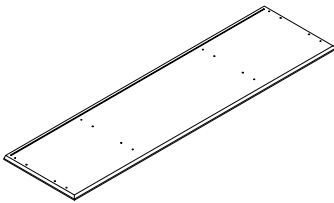
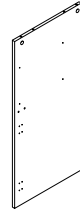
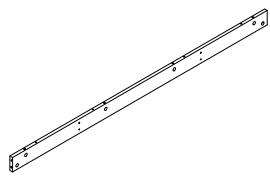
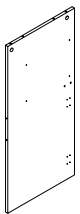
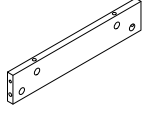
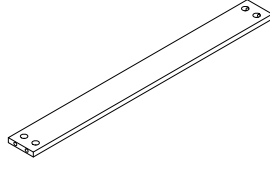
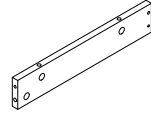
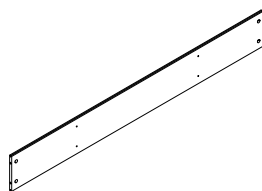
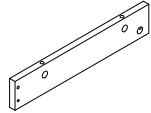
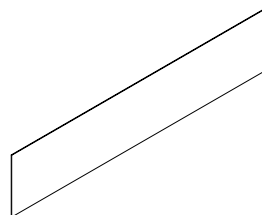
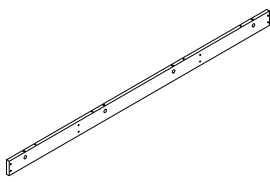


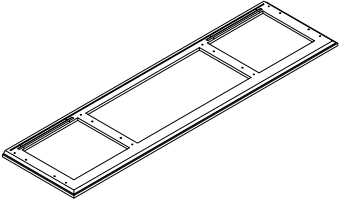
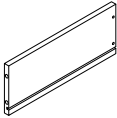
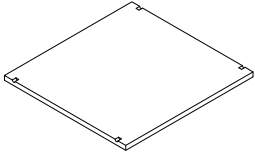
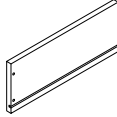
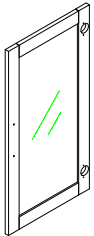
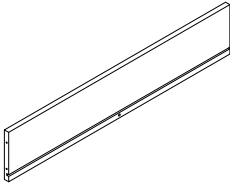
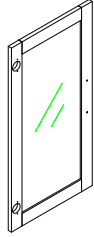
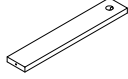
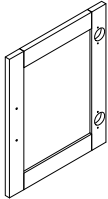
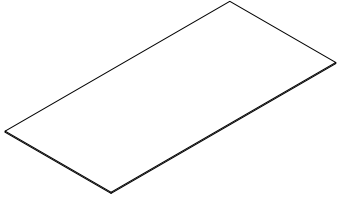
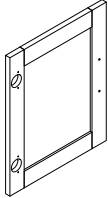
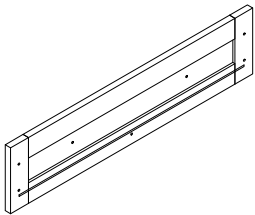
Estimate installation time:  
120 minutes

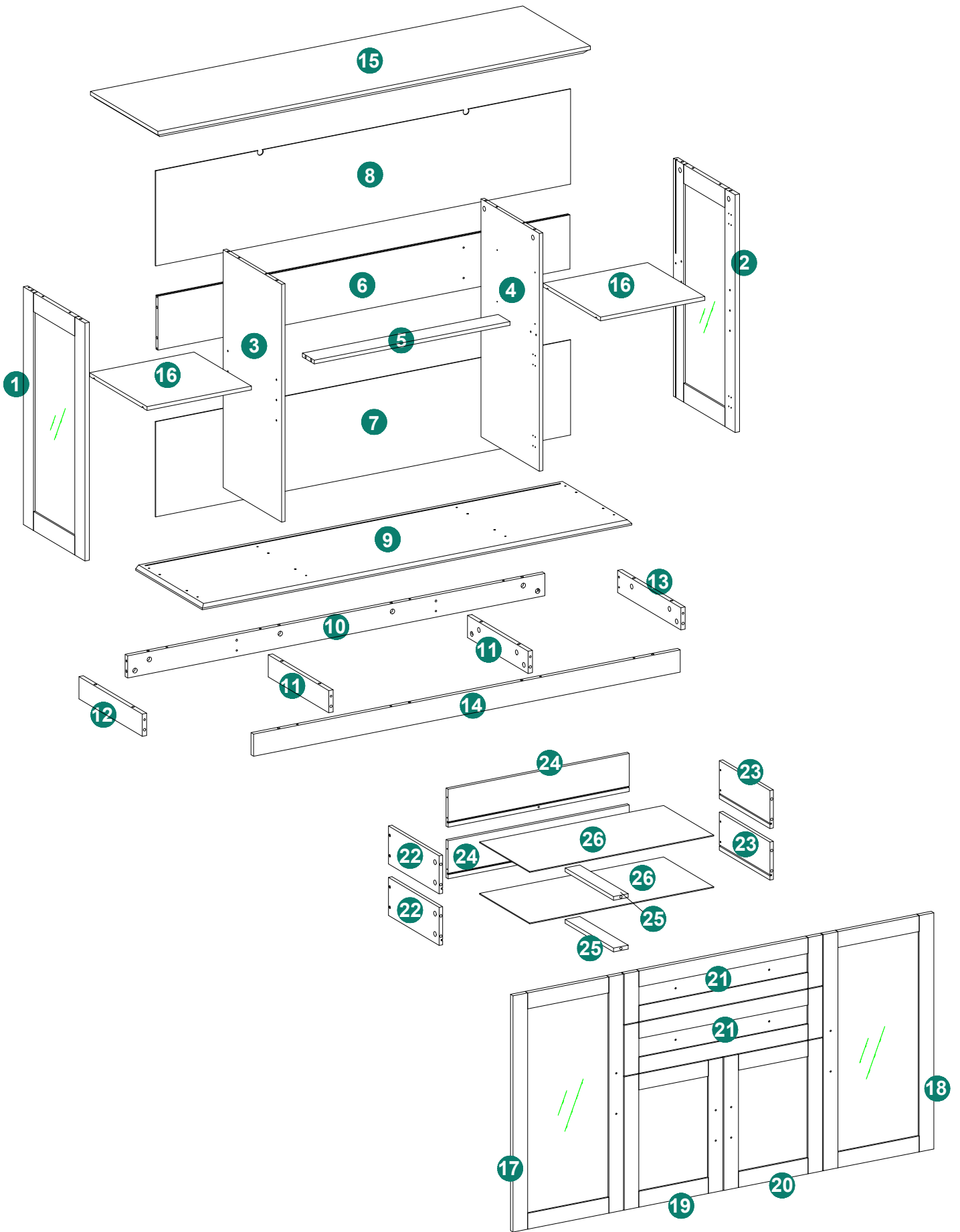
Item No.	Reference Image	Qty.	Item No.	Reference Image	Qty.
<b>(A)</b>	 Ø6x32mm	<b>50 PCS</b>	<b>(H)</b>	 5*40mm	<b>12 PCS</b>
<b>(B)</b>	 Ø15x10mm	<b>50 PCS</b>	<b>(I)</b>		<b>2 sets</b>
<b>(C)</b>	 Ø6x30mm	<b>32 PCS</b>	<b>(J)</b>		<b>2 sets</b>
<b>(D)</b>	 12"	<b>2 sets</b>	<b>(K)</b>		<b>4 sets</b>
<b>(E)</b>	 4*30mm	<b>10 PCS</b>	<b>(L)</b>		<b>4 PCS</b>
<b>(F)</b>	 3*12mm	<b>16 PCS</b>	<b>(M)</b>		<b>4 PCS</b>
<b>(G)</b>	 5*16mm	<b>8 PCS</b>	<b>(N)</b>	 3.5*12mm	<b>48 PCS</b>

Item No.	Reference Image	Qty.
⓪	 M3x16mm	12 PCS
Ⓟ		12 PCS
Ⓠ	 Ø20mm	40 PCS
Ⓡ		2 sets
Ⓢ		1 set
Ⓣ		4 PCS

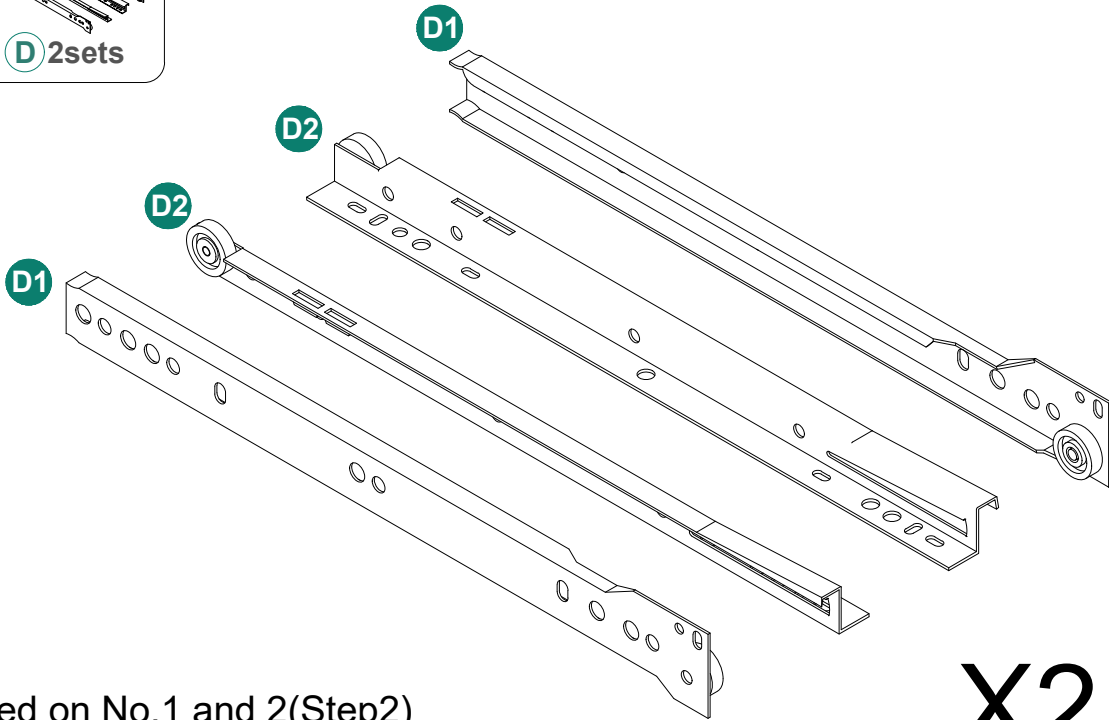
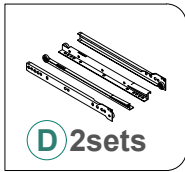
Item No.	Reference Image	Qty.
Ⓤ	 3*14mm	8 PCS
Ⓦ		2 PCS

Item No.	Reference Image	Qty.	Item No.	Reference Image	Qty.
1		X 1	8		X 1
2		X 1	9		X 1
3		X 1	10		X 1
4		X 1	11		X 2
5		X 1	12		X 1
6		X 1	13		X 1
7		X 1	14		X 1

Item No.	Reference Image	Qty.	Item No.	Reference Image	Qty.
15		X 1	22		X 2
16		X 2	23		X 2
17		X 1	24		X 2
18		X 1	25		X 2
19		X 1	26		X 2
20		X 1			
21		X 2			



# 1

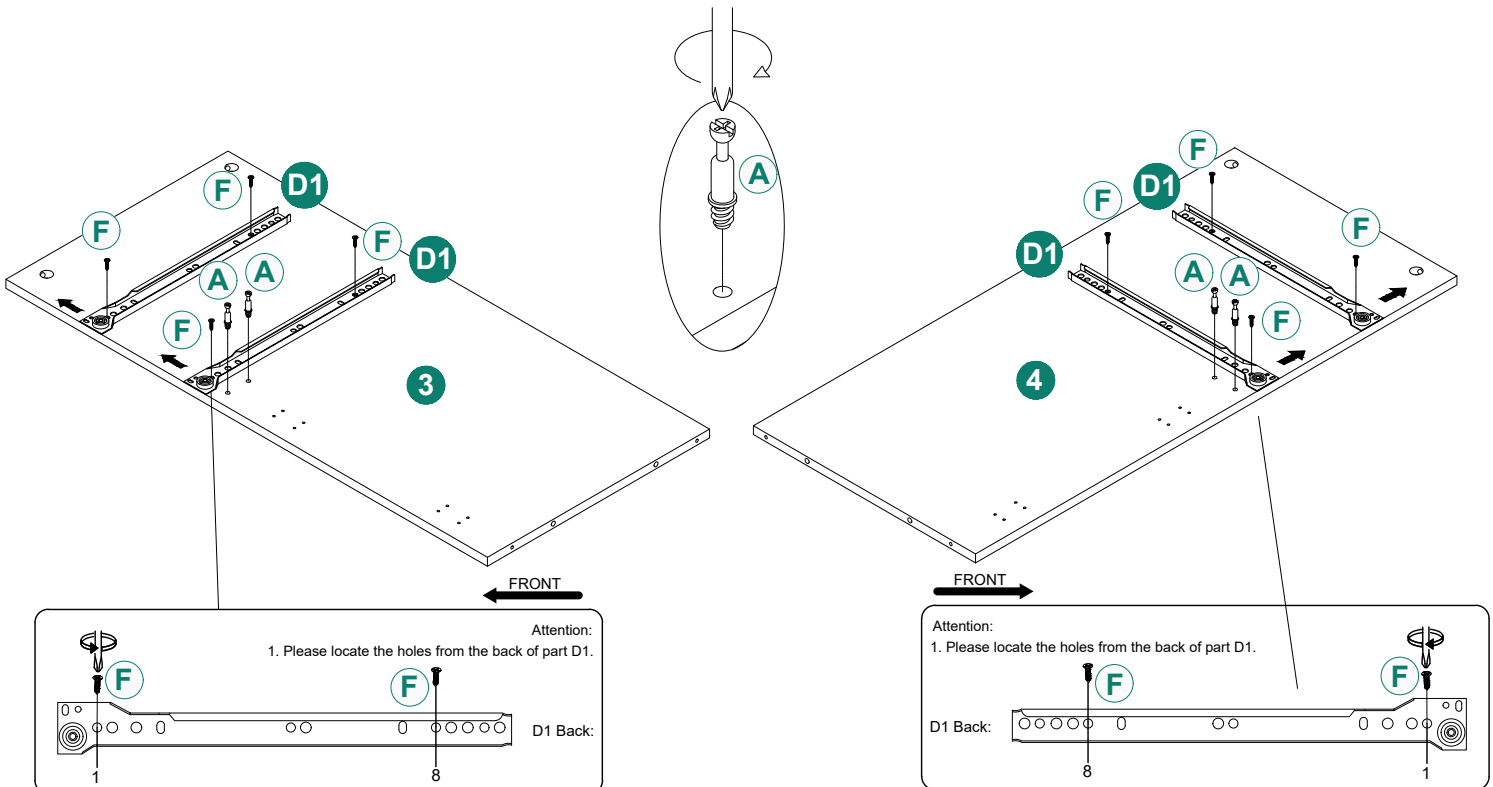


D1 installed on No.1 and 2(Step2)

D2 installed on the bottom of the drawer.(Step33)

# X2

# 2

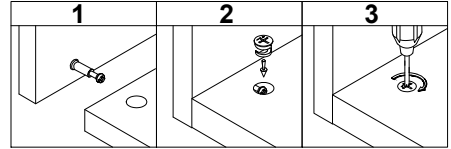
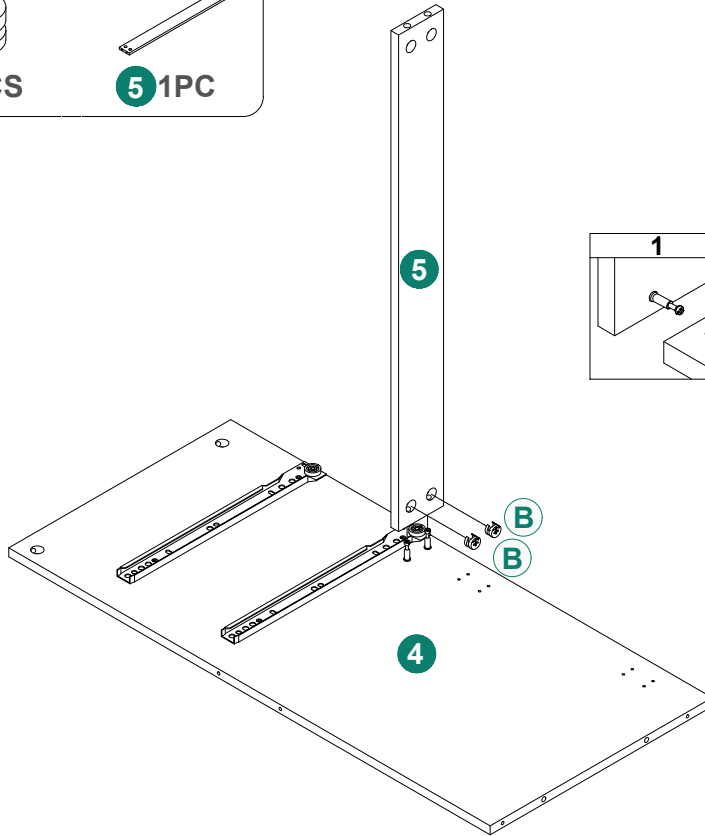


# 6

3

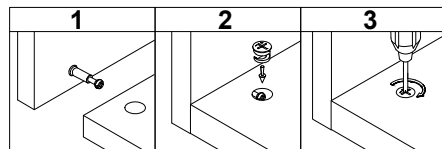
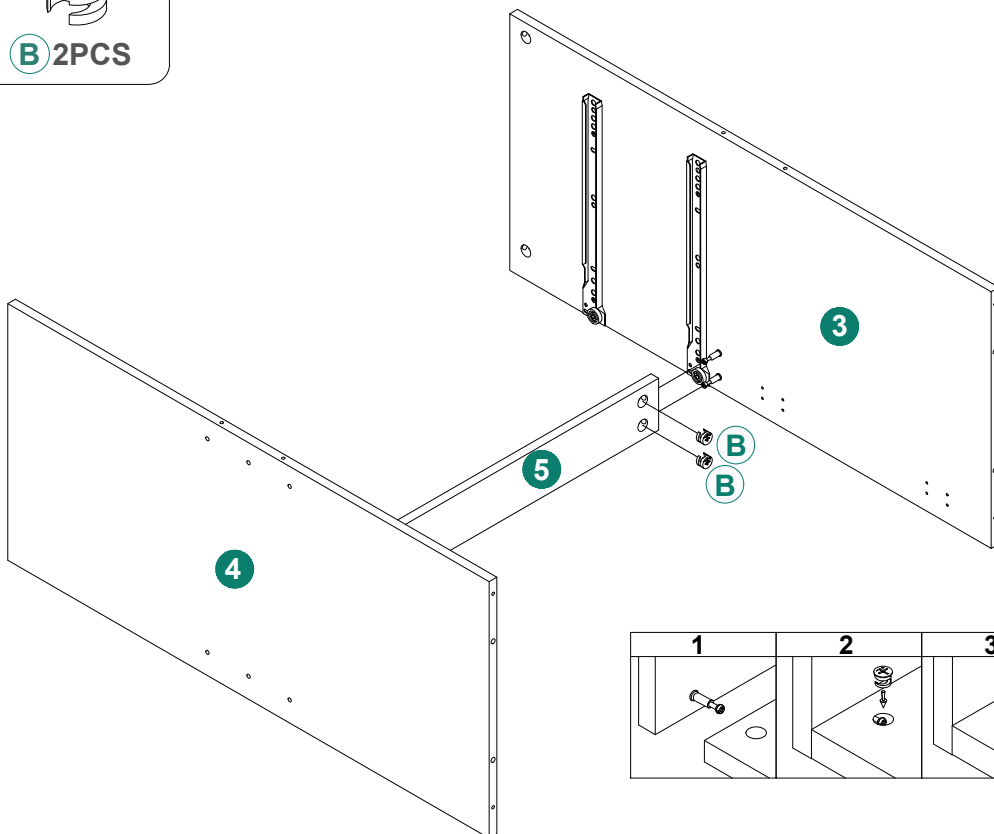
**B** 2PCS

**5** 1PC

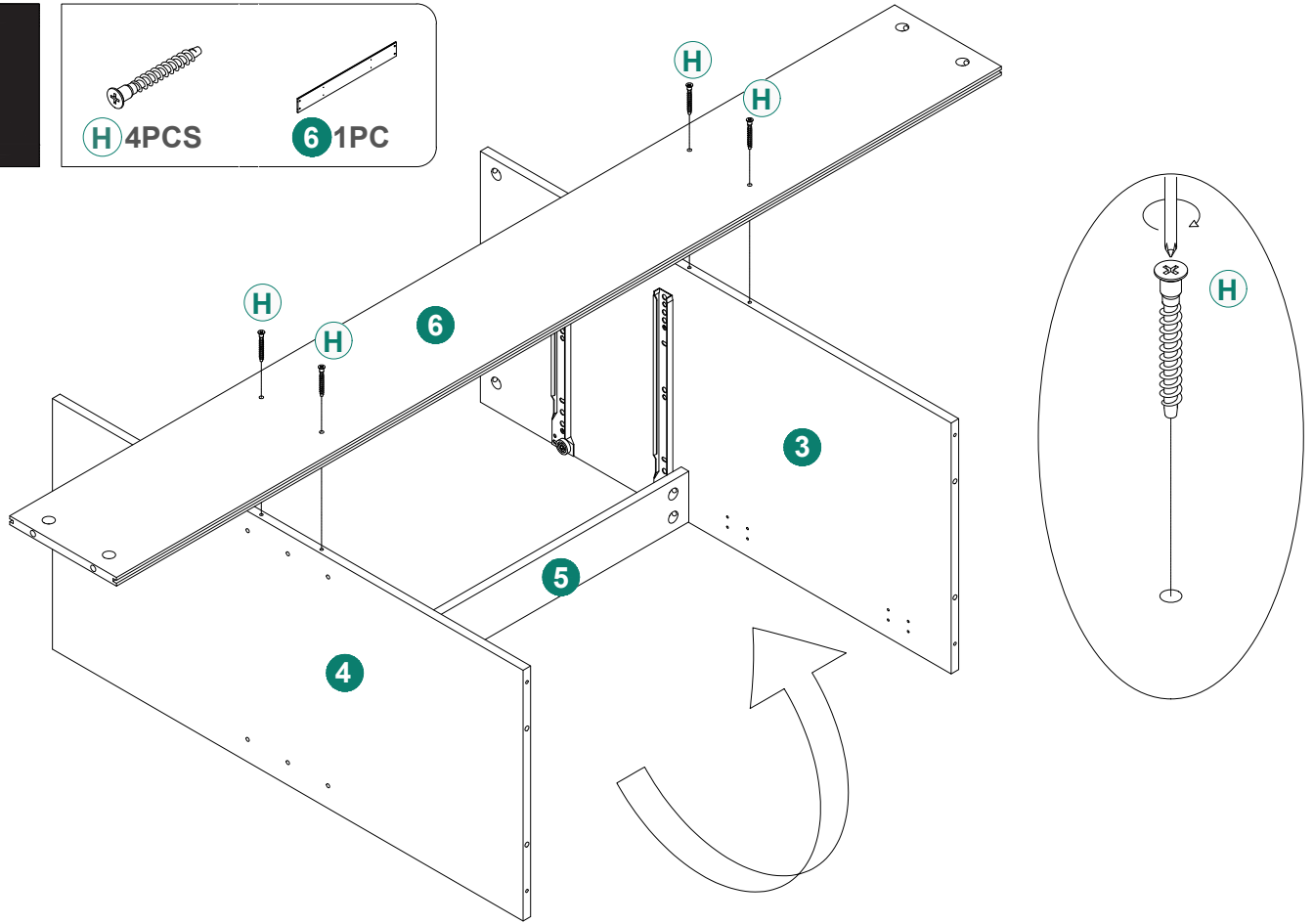
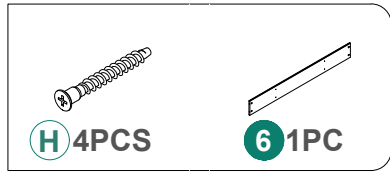


4

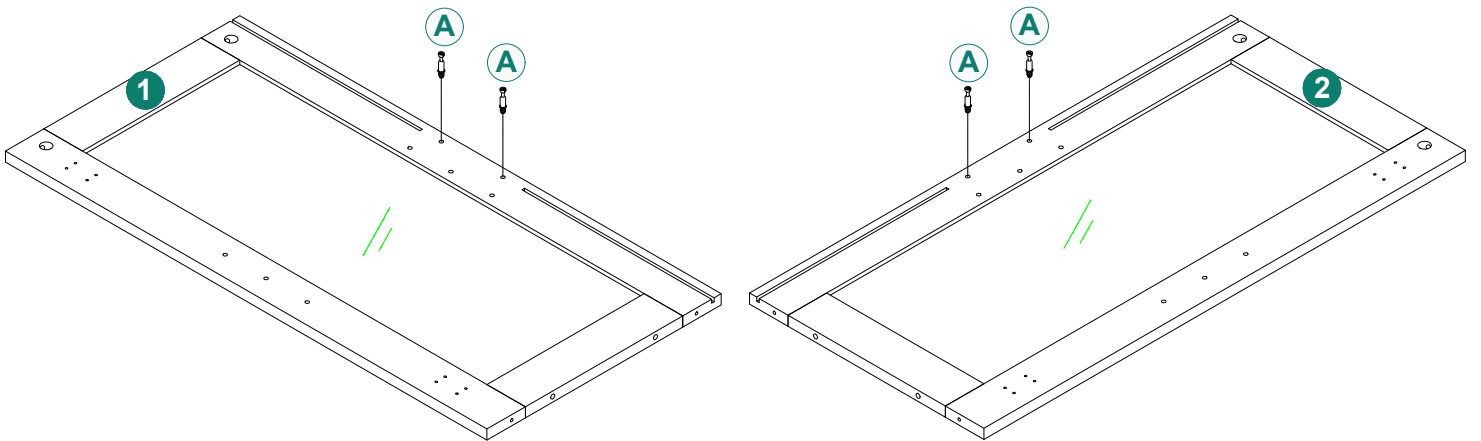
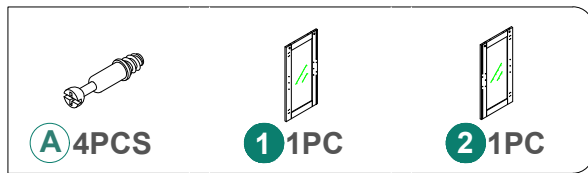
**B** 2PCS



5

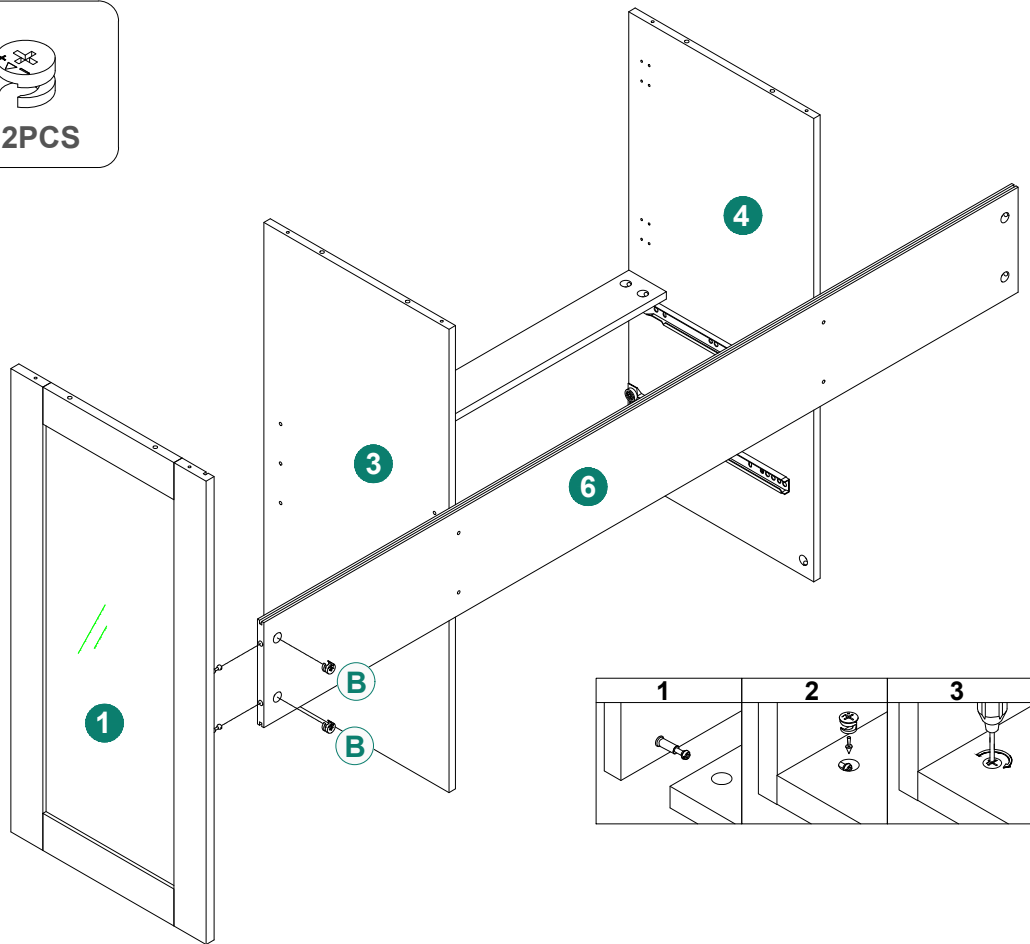


6



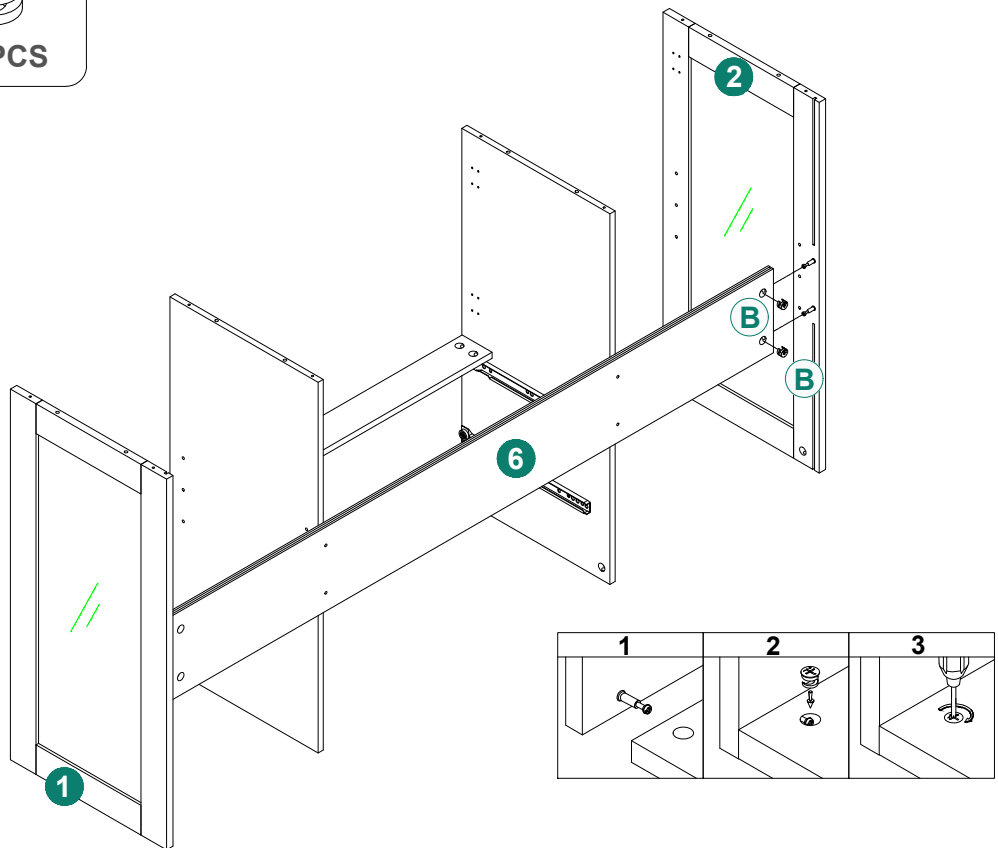
7

  
B 2PCS



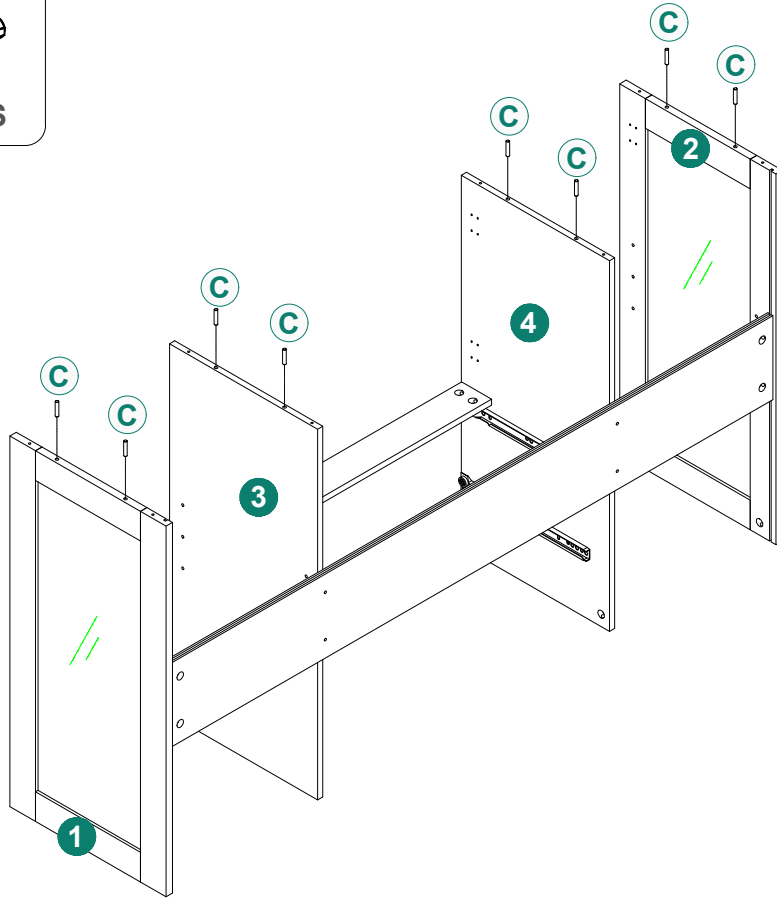
8

  
B 2PCS

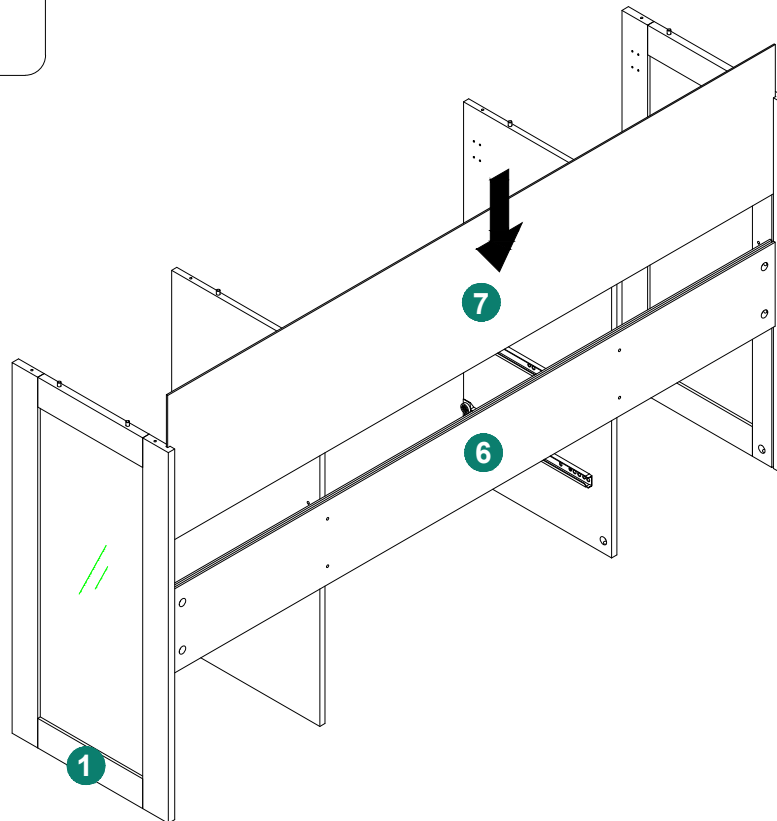
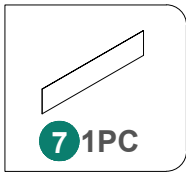


9

9

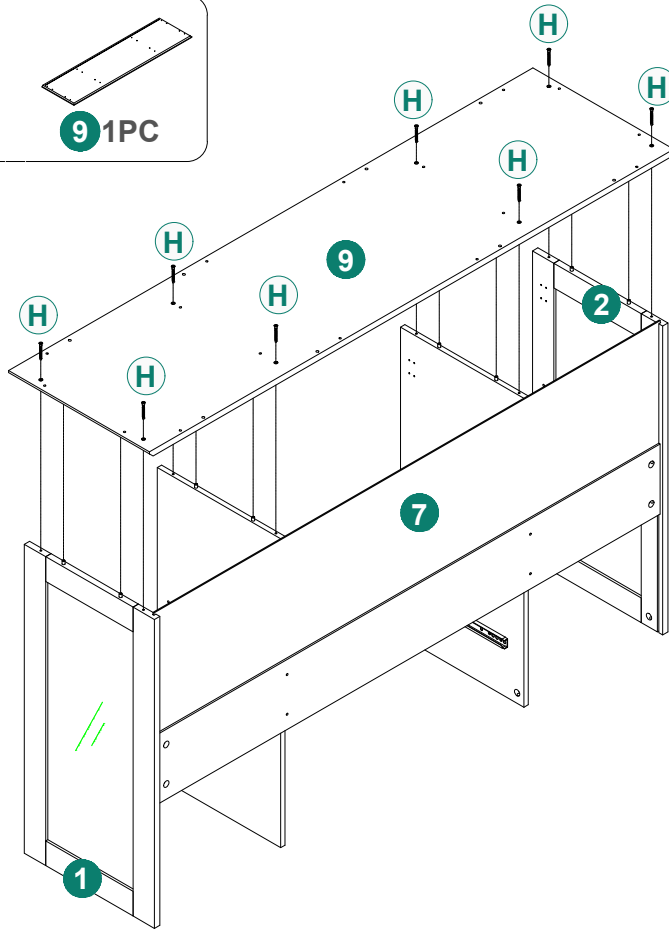
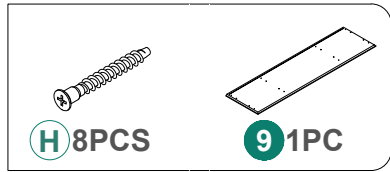


10

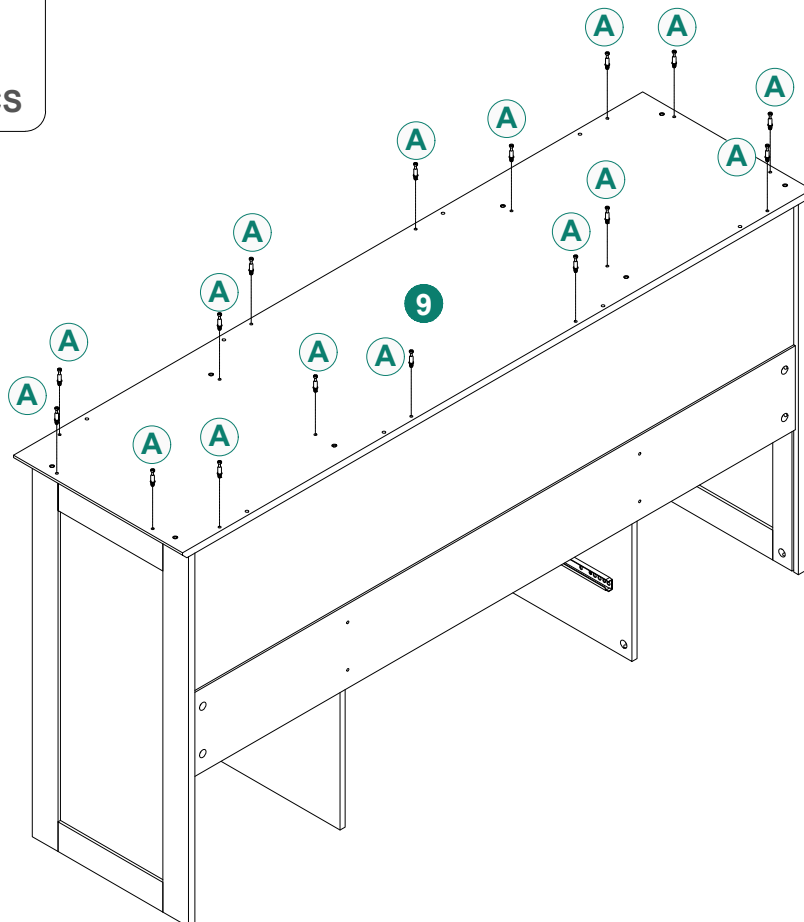
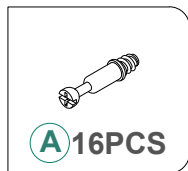


10


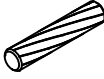

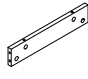
11

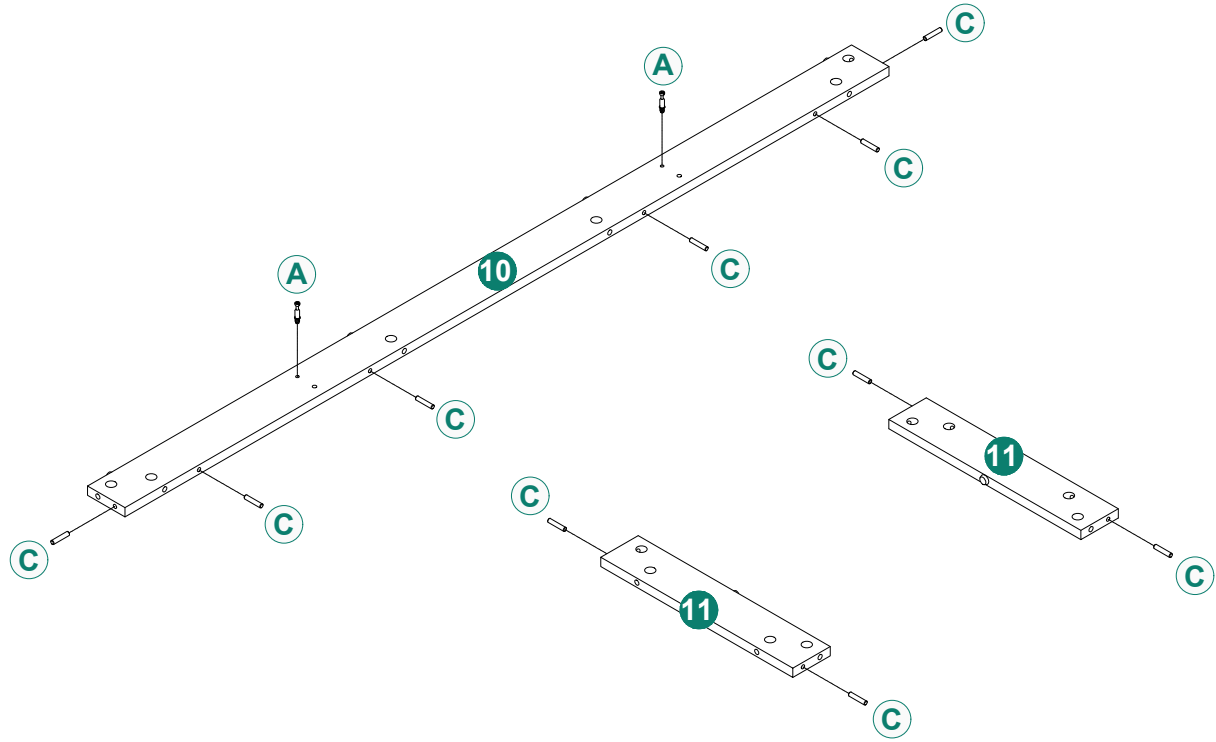


12




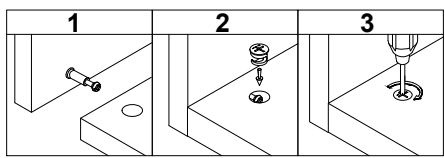
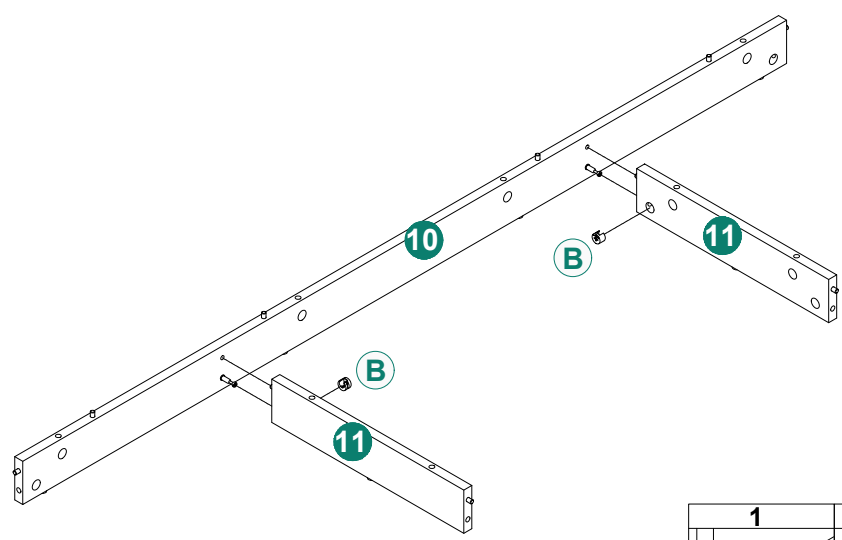
# 13

 **A 2PCS**     **C 10PCS**     **10 1PC**     **11 2PCS**

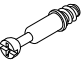
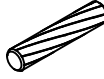
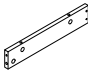
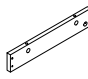
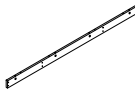


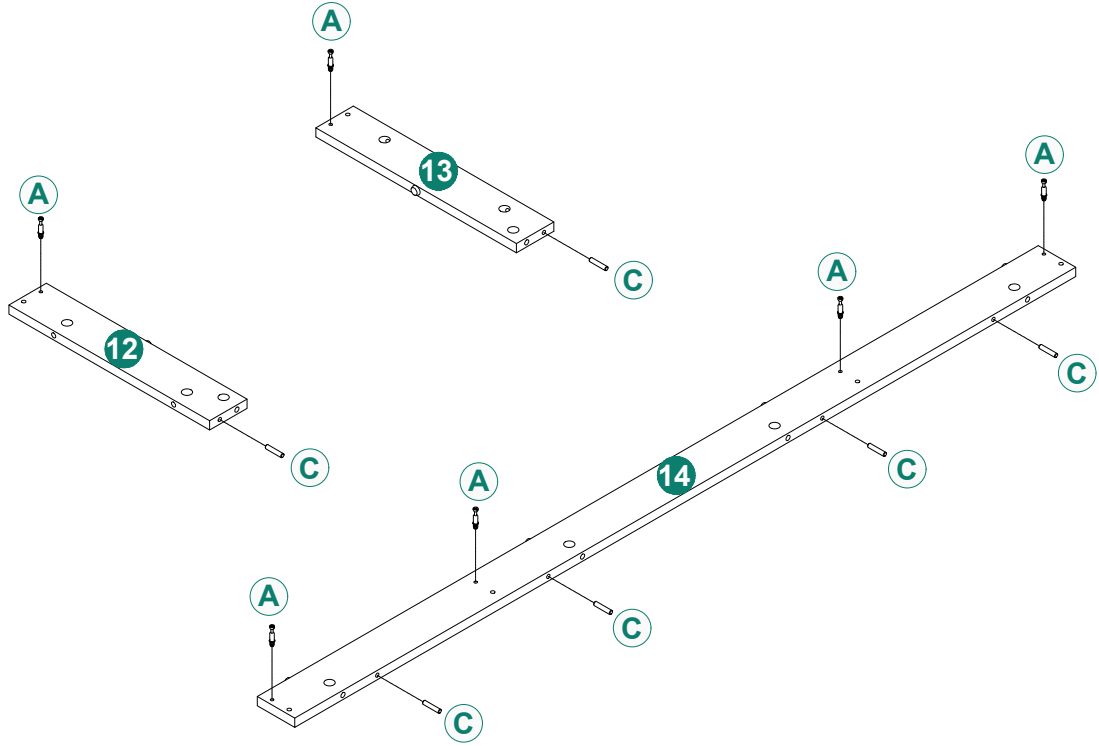
# 14

 **B 2PCS**



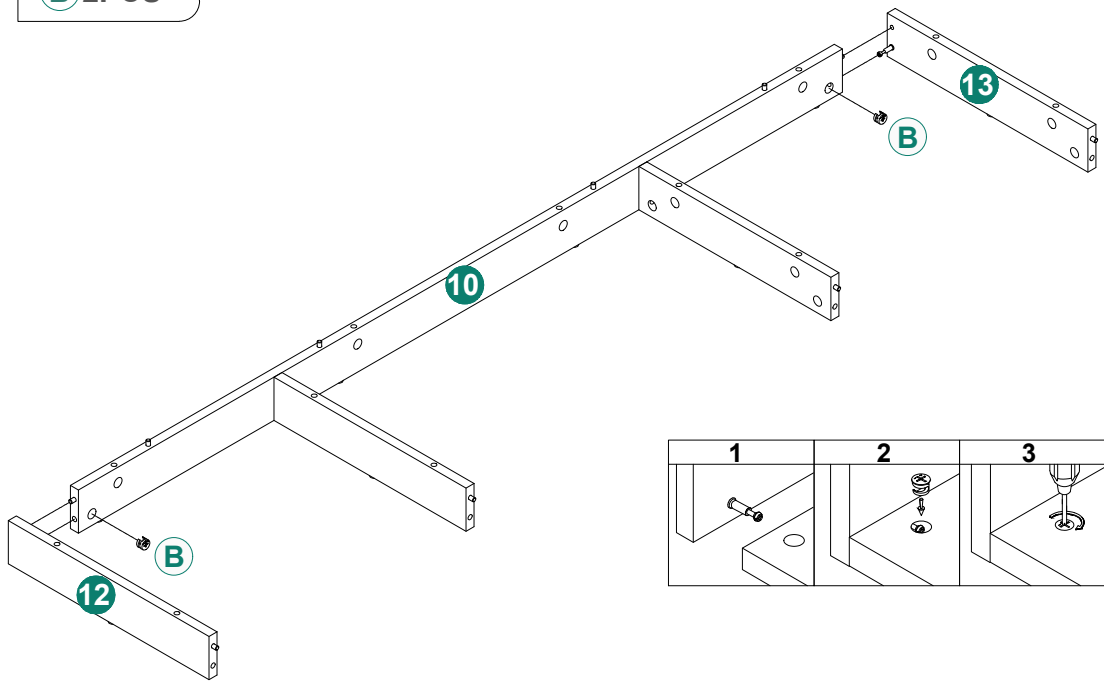
# 15

 **A 6PCS**     **C 6PCS**     **12 1PC**     **13 1PC**     **14 1PC**

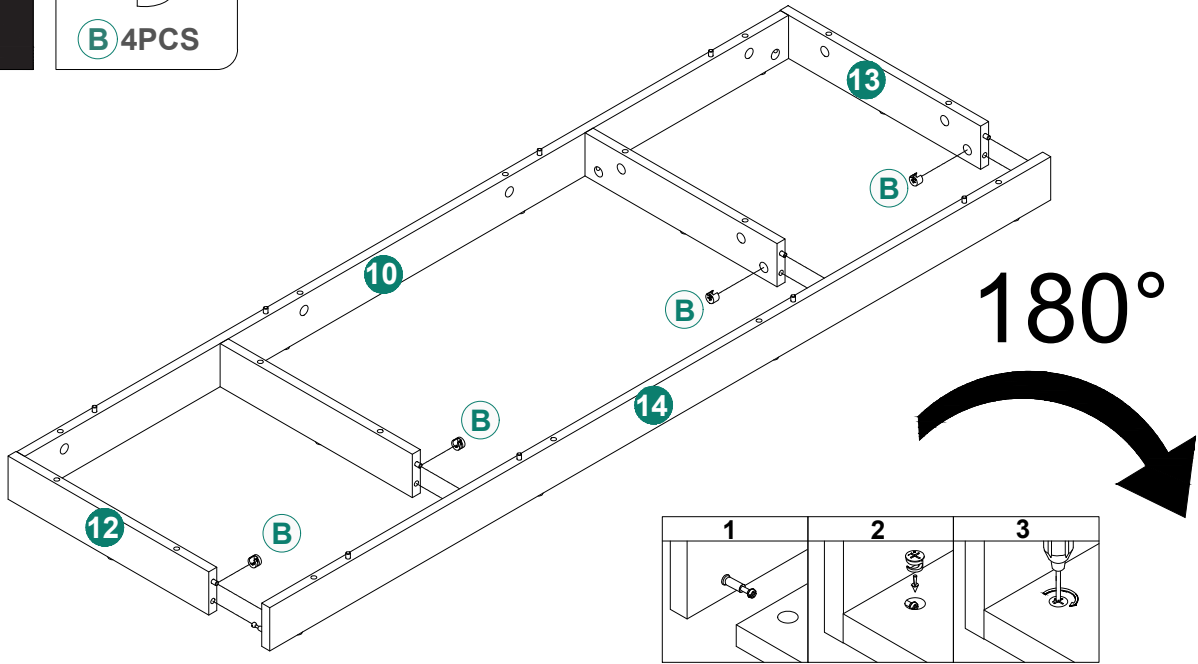
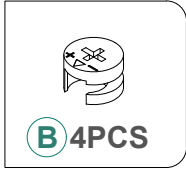


# 16

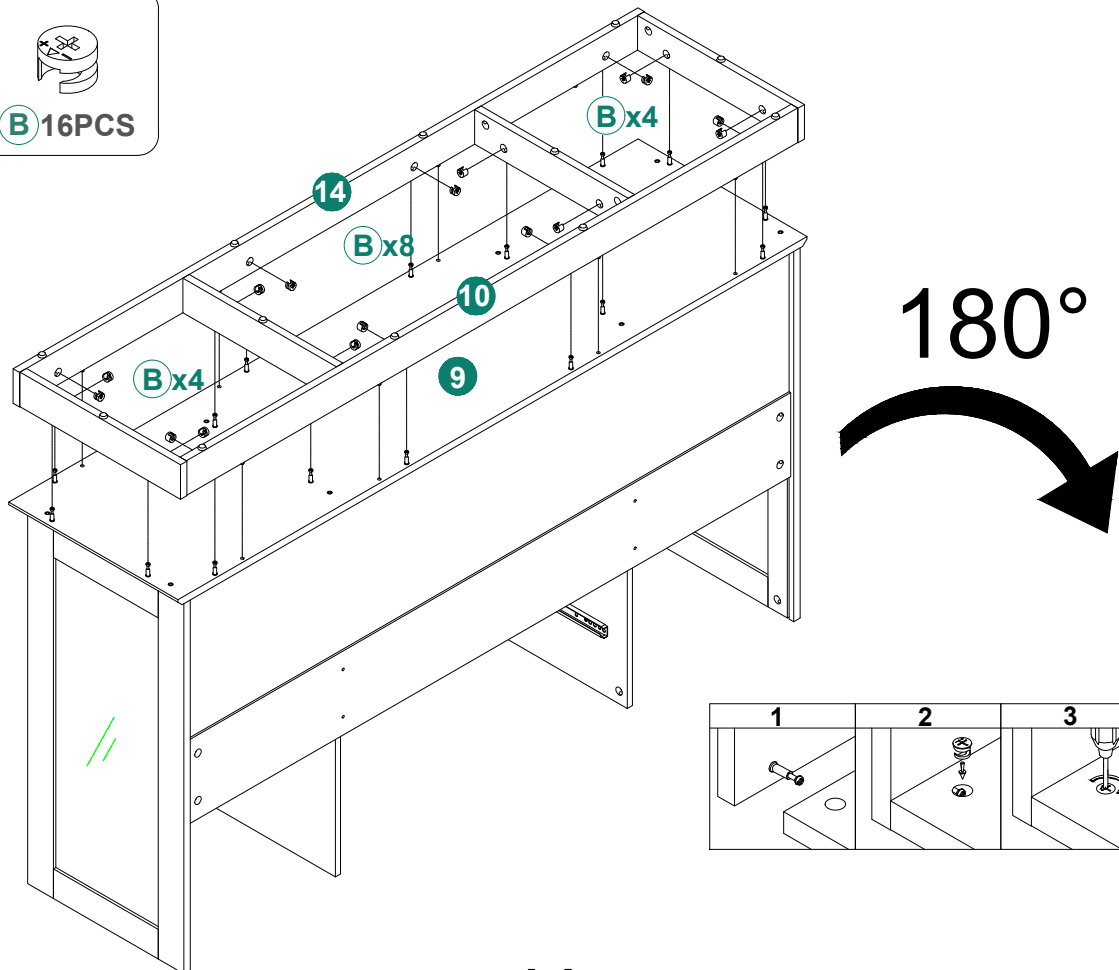
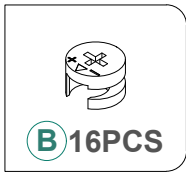
 **B 2PCS**



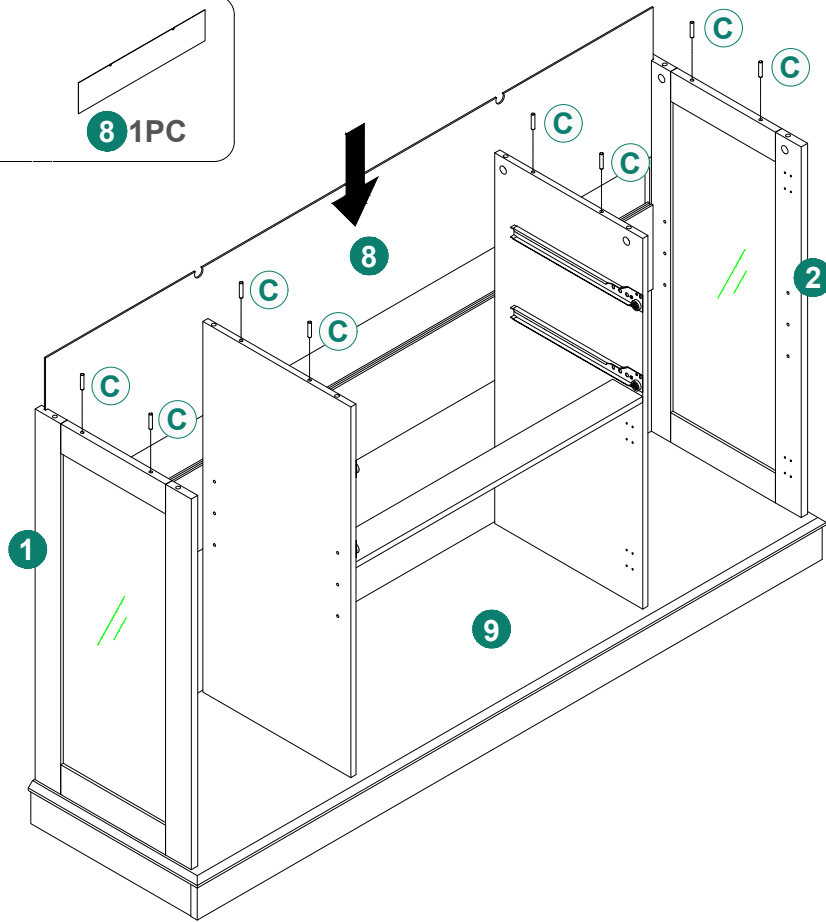
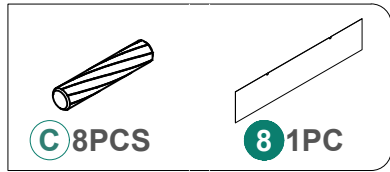
17



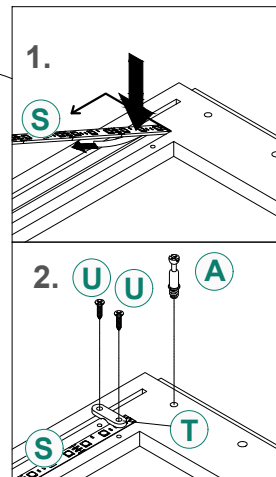
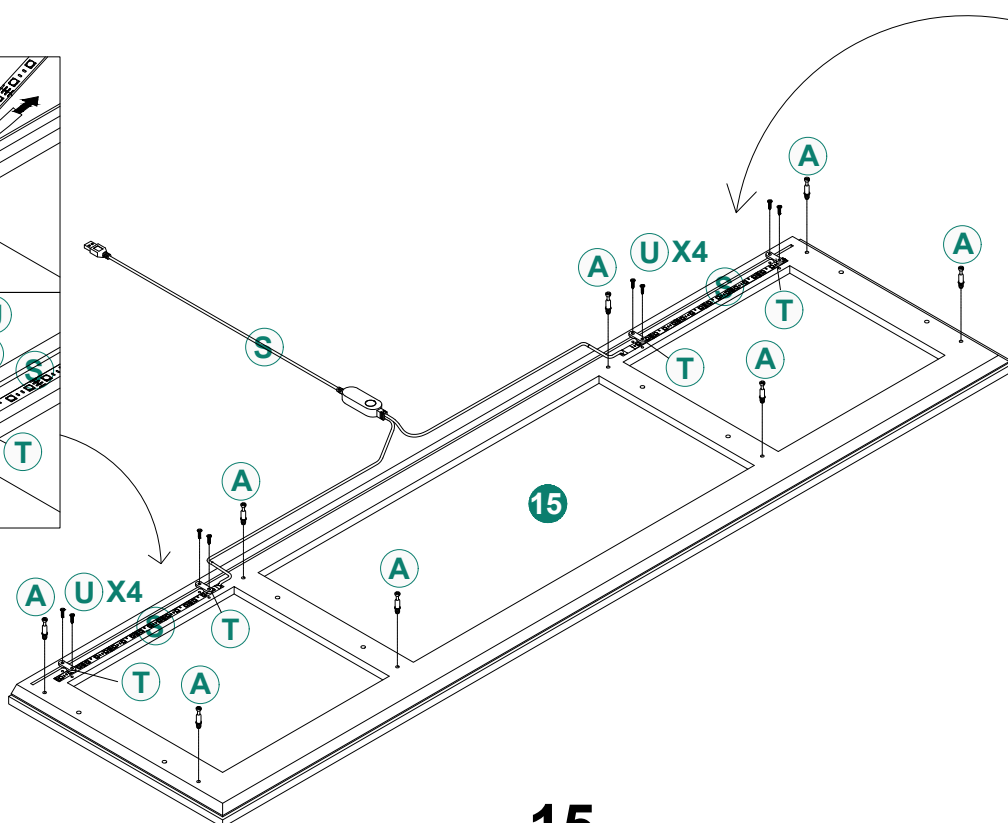
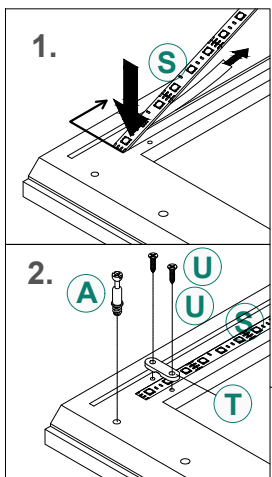
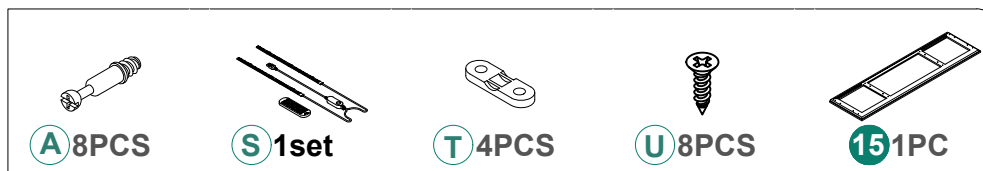
18



# 19

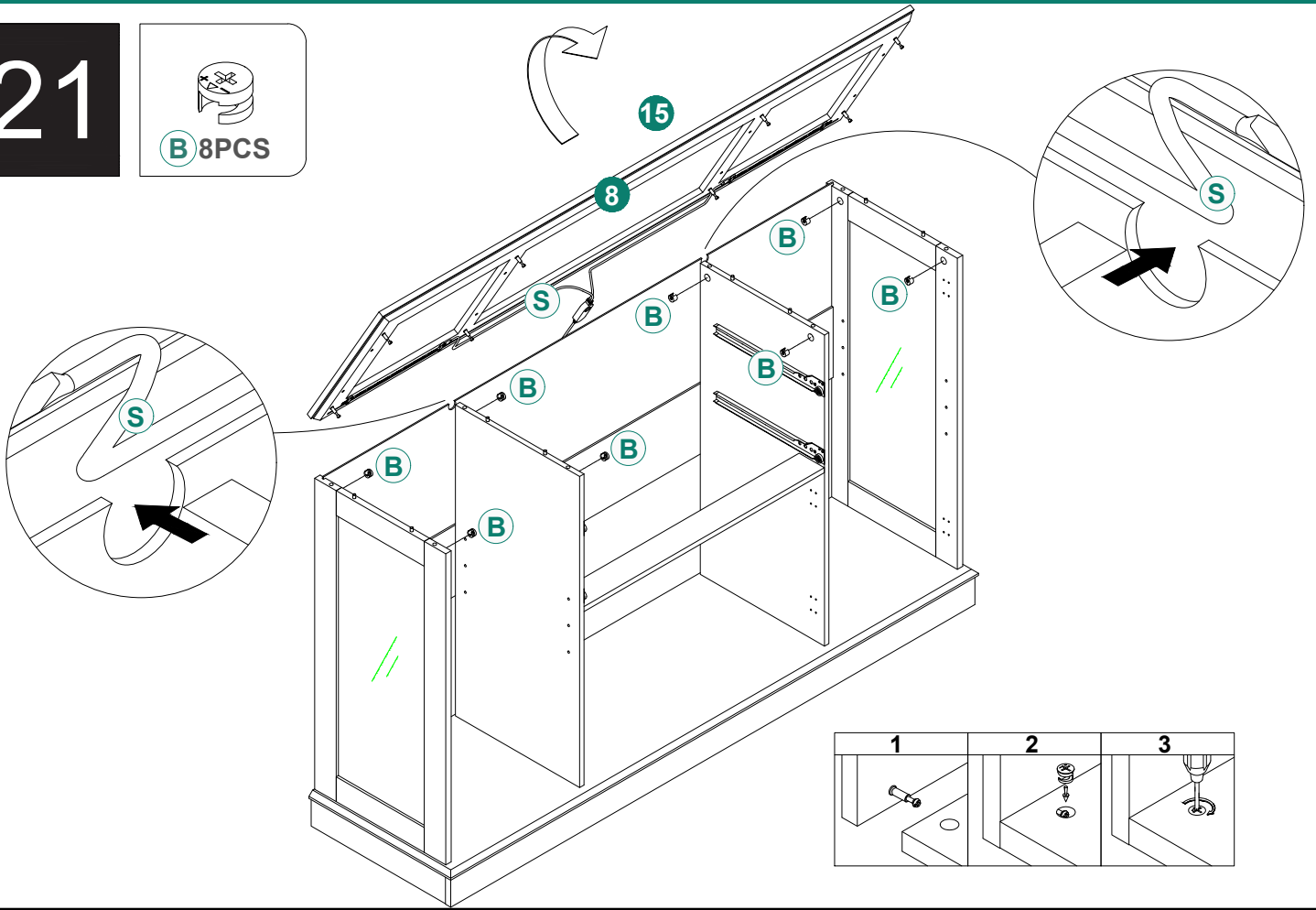
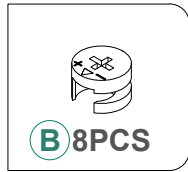


# 20

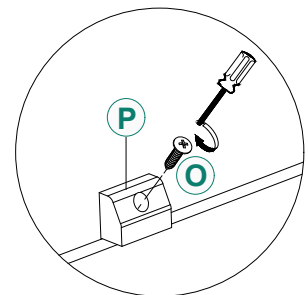
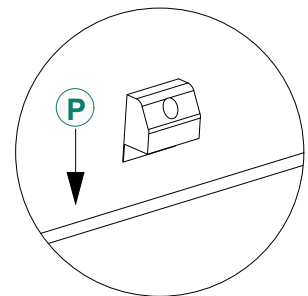
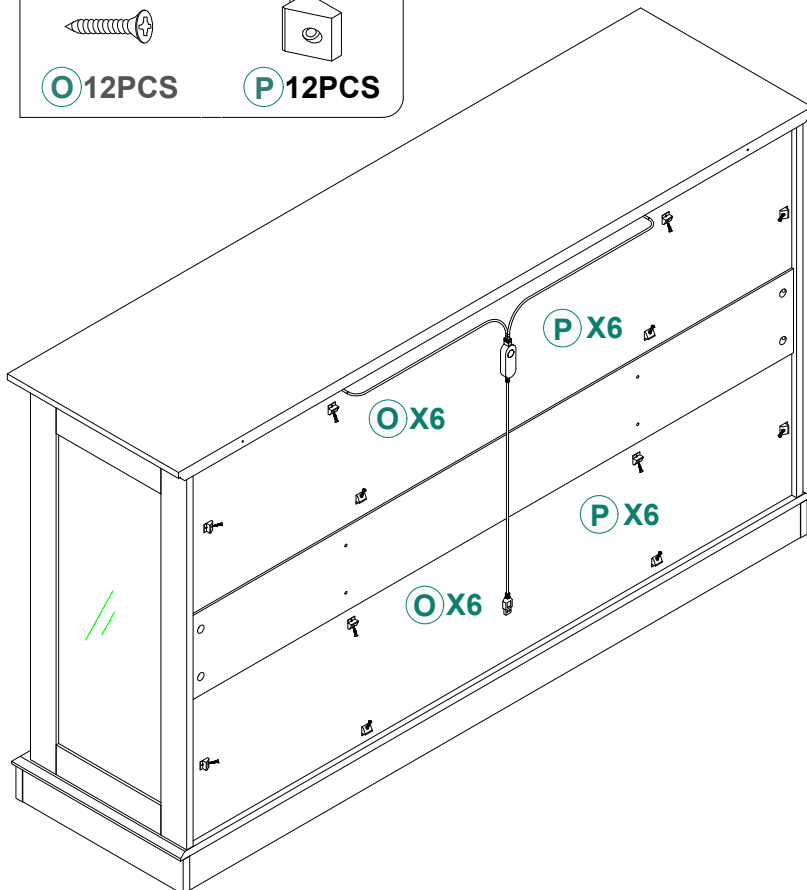
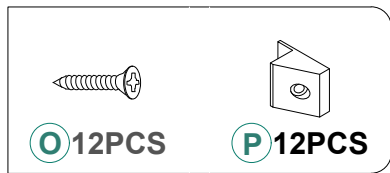


# 15

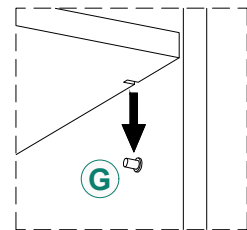
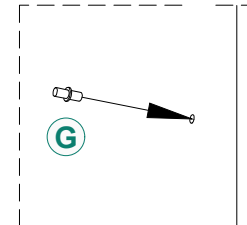
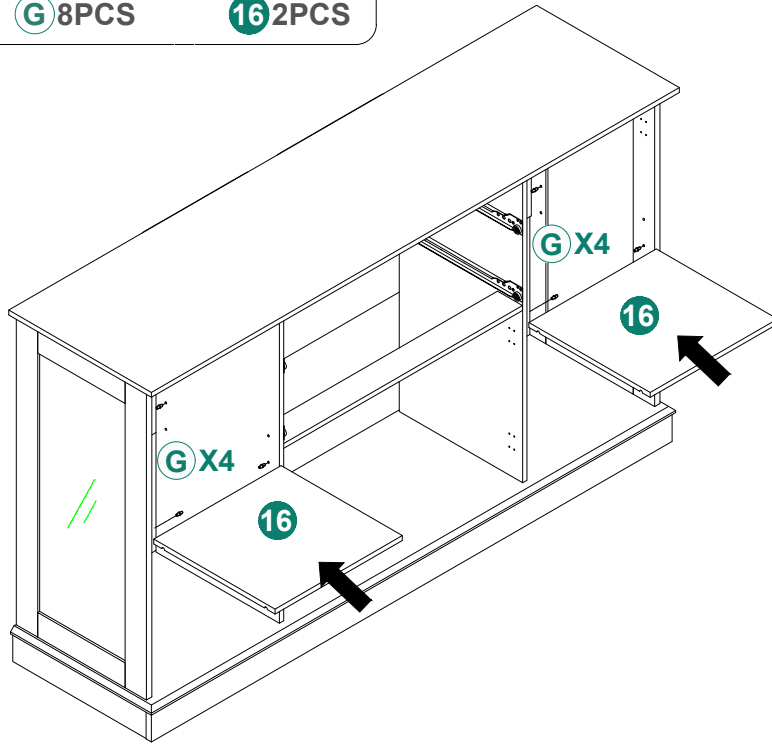
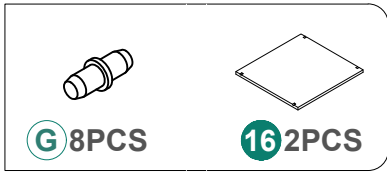
21



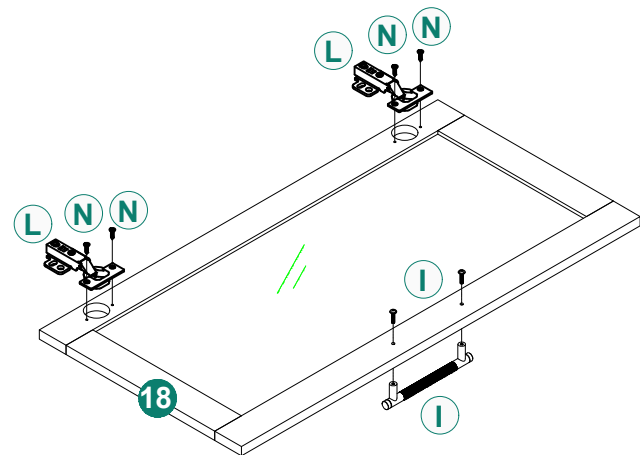
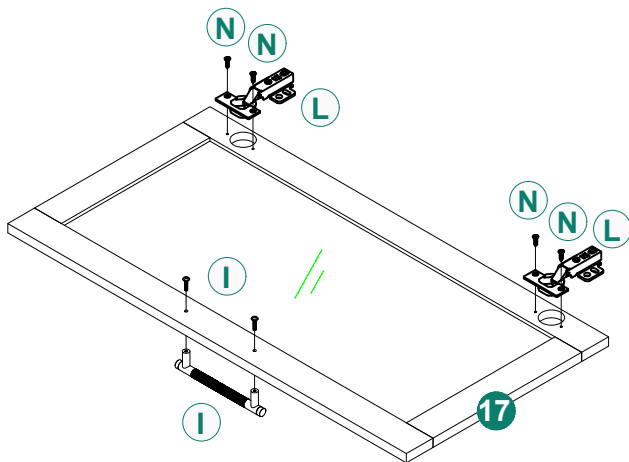
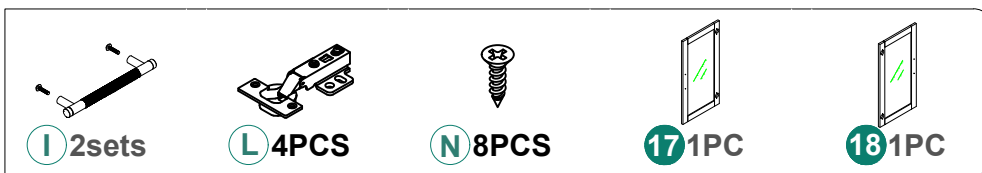
22



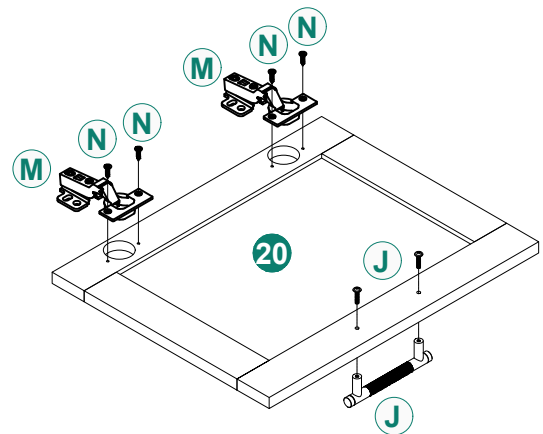
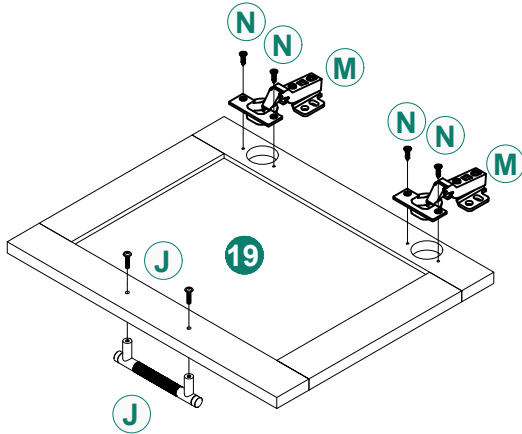
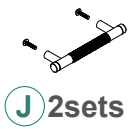
23



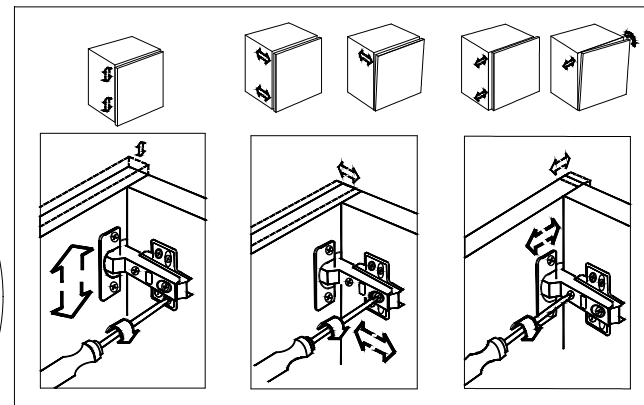
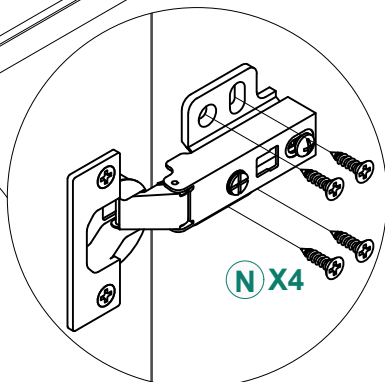
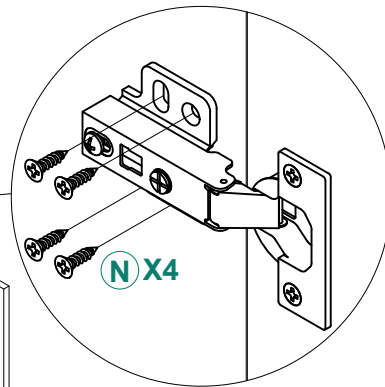
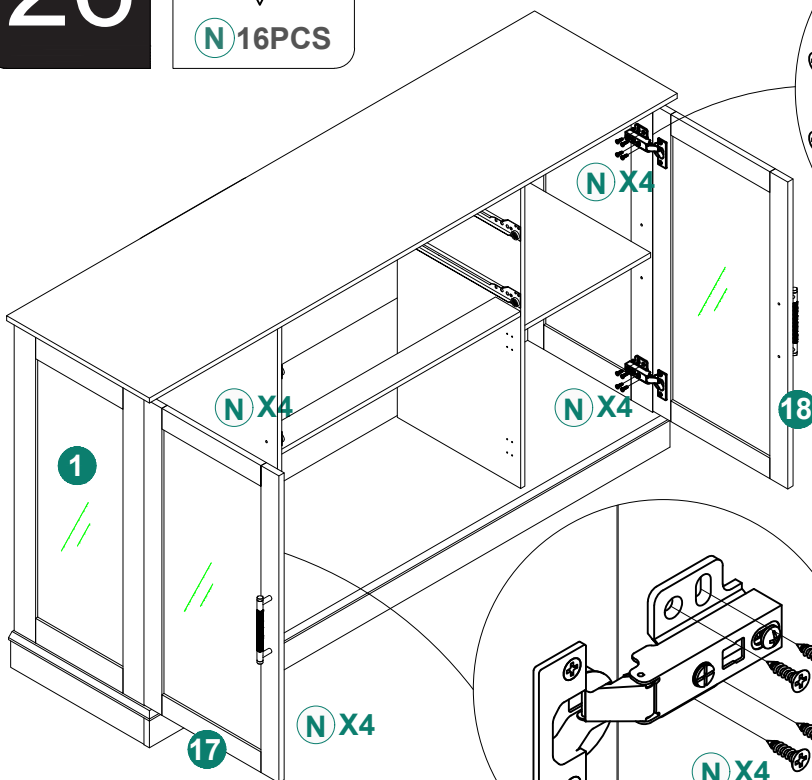
24



# 25



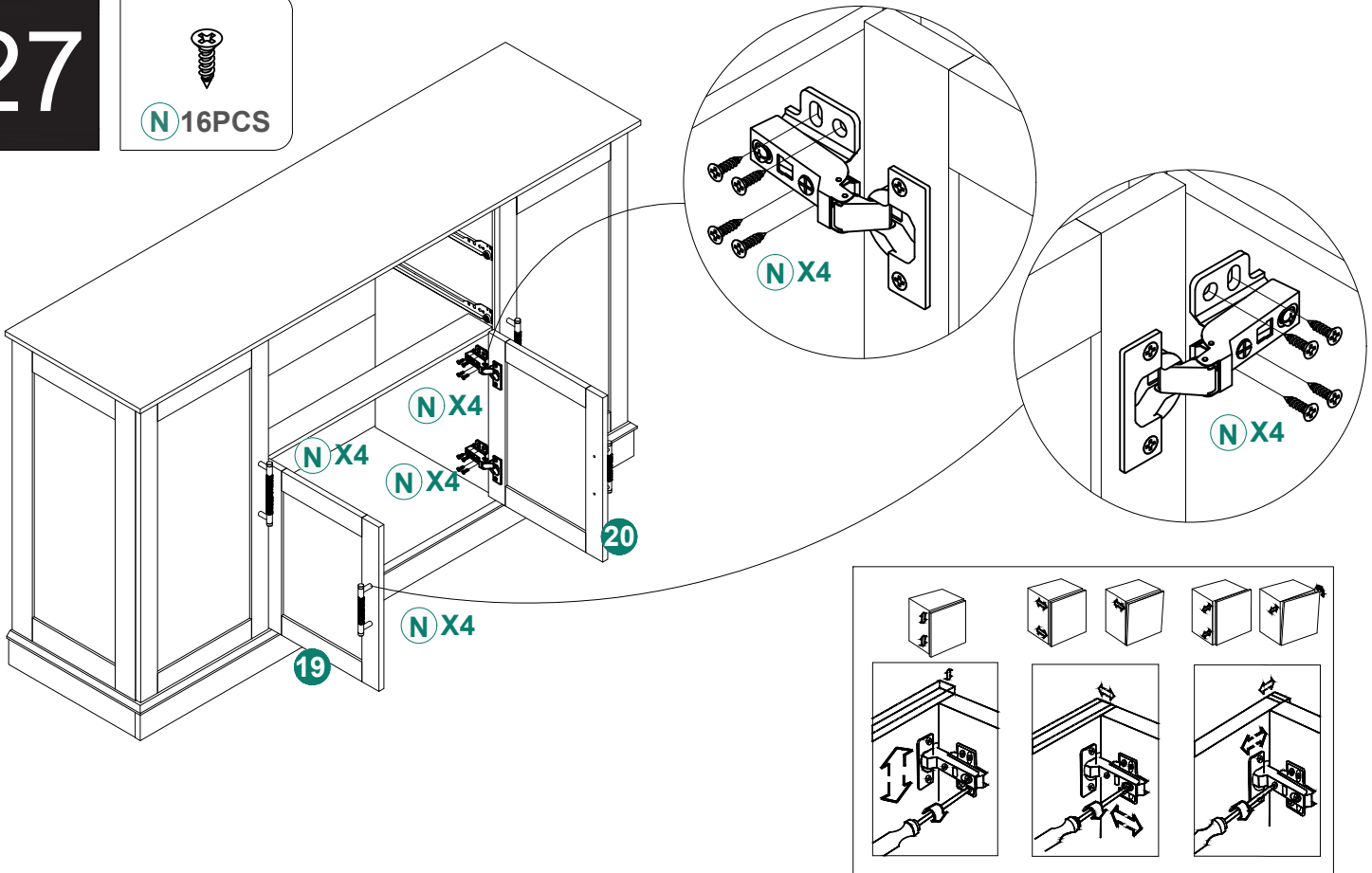
# 26



# 18

27

N 16PCS

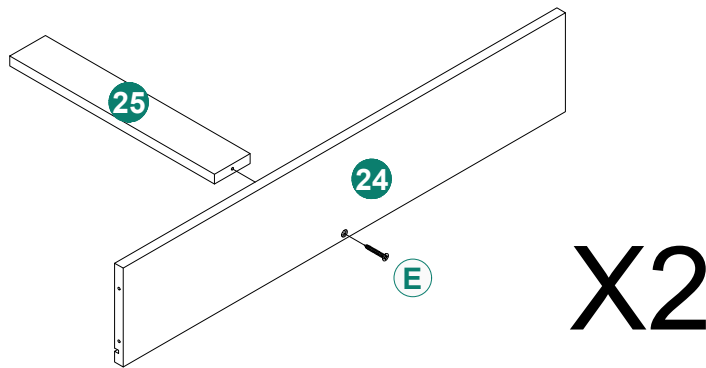


28

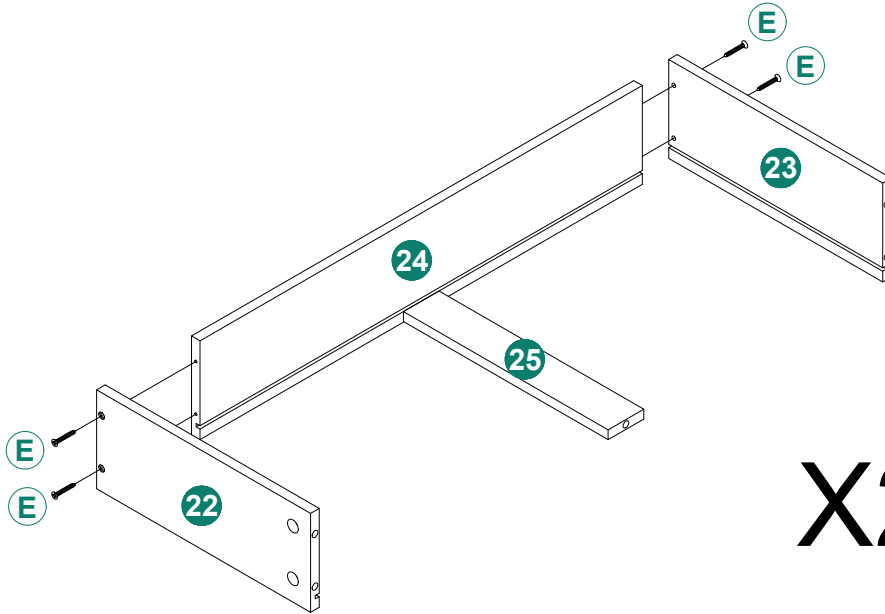
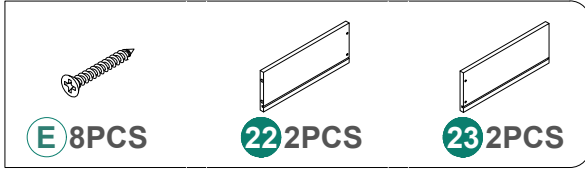
E 2PCS

24 2PCS

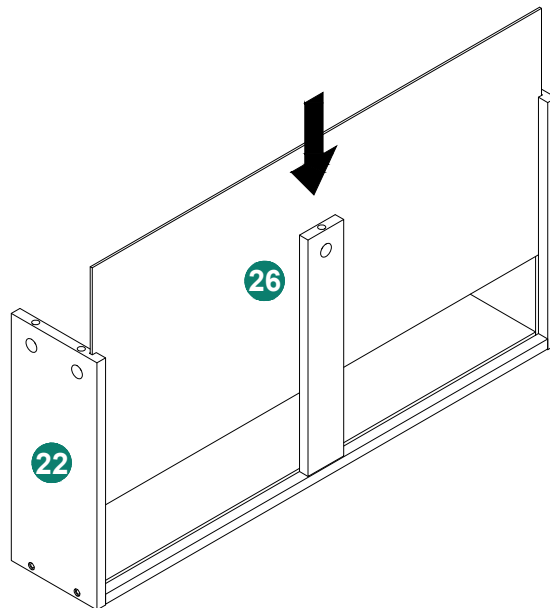
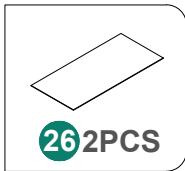
25 2PCS



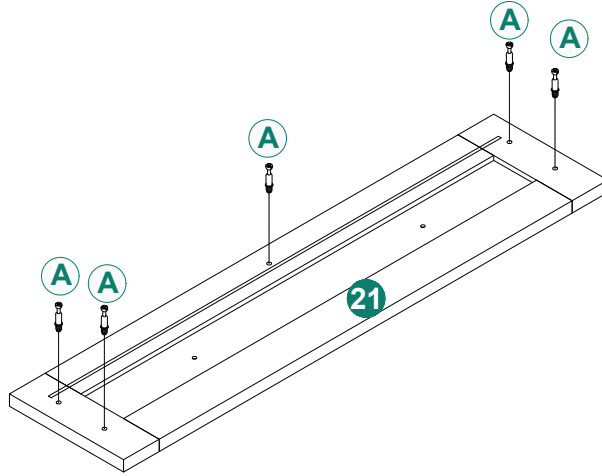
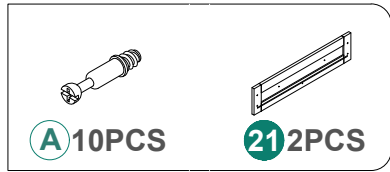
29



30

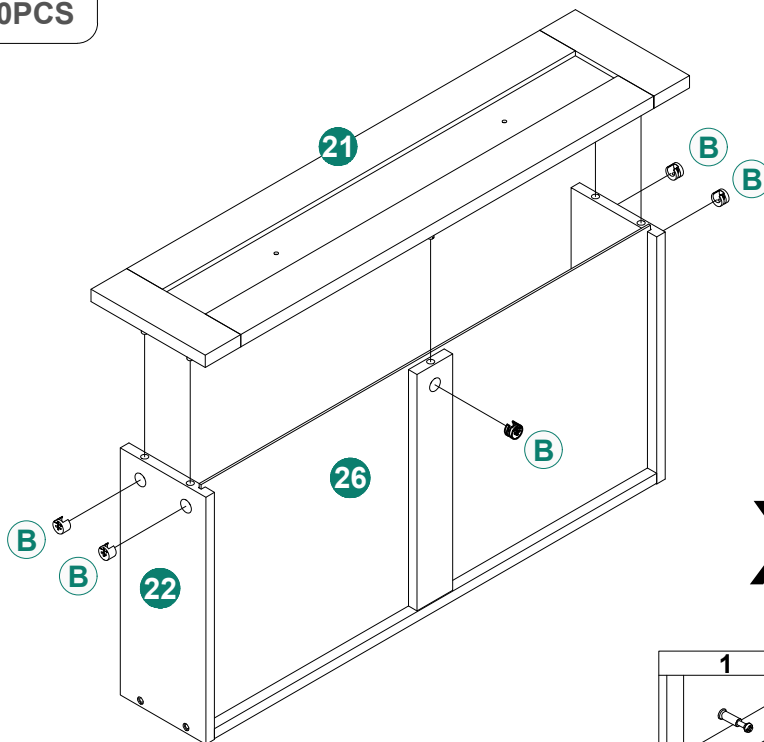
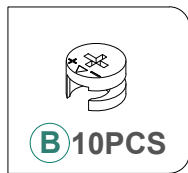


31

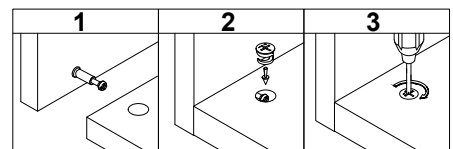


X2

32

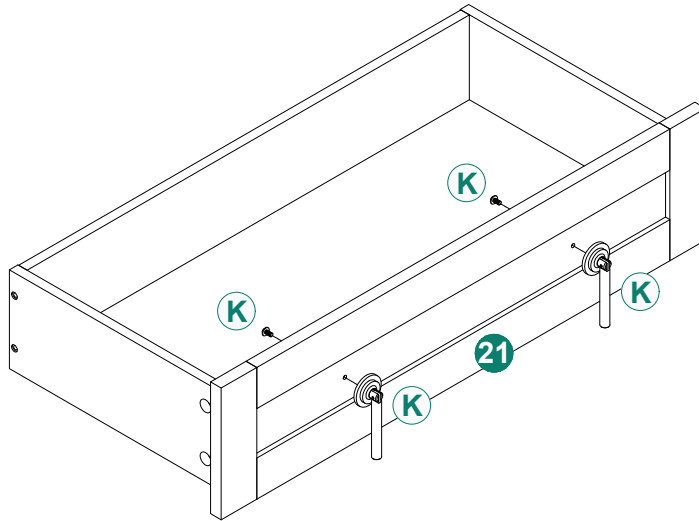
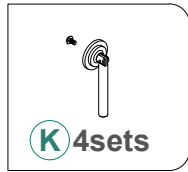


X2



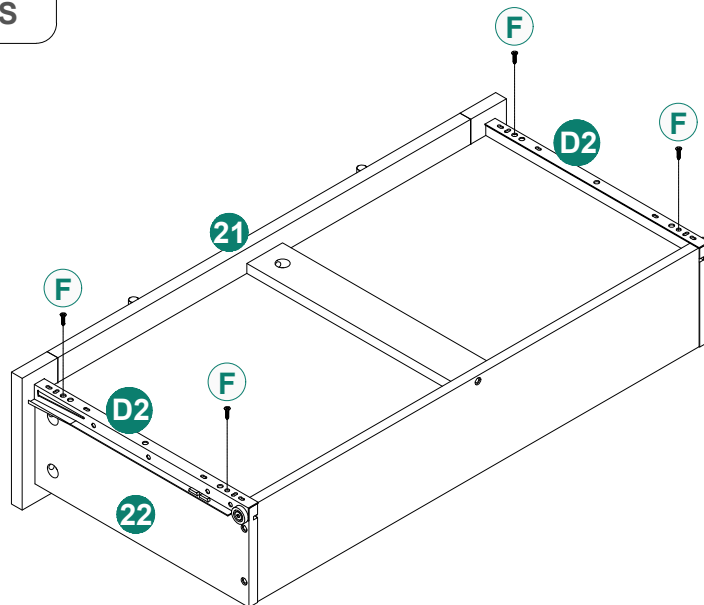
21

33



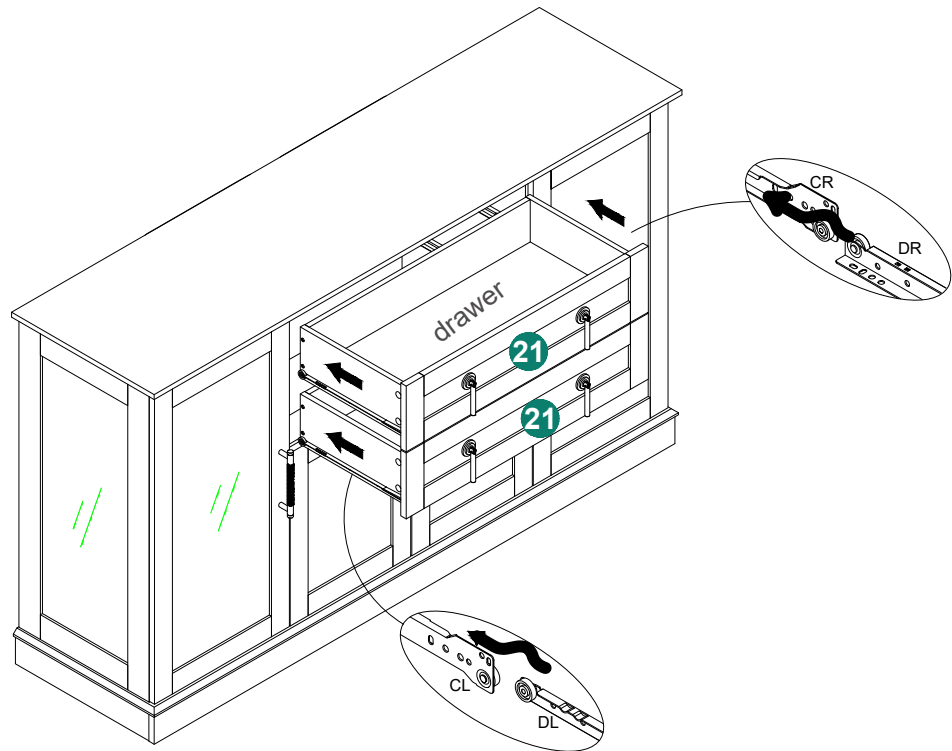
X2

34

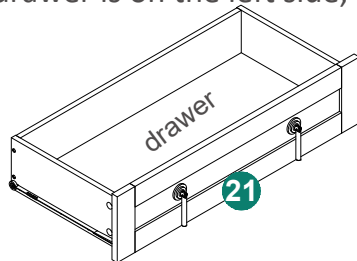


X2

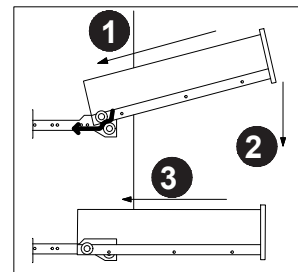
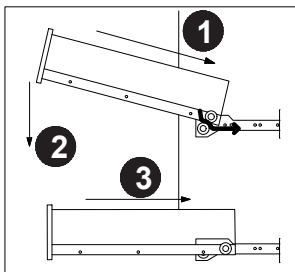
Congratulation! You've made to the last step! But don't be too thrilled yet, put on the drawer can be frustrating if you do it wrong. So, take your time and follow the steps below.



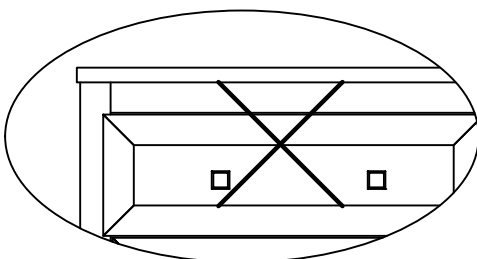
1. Make sure that you have right and left drawers sorted out first, because the drawer panel may cover the side if the right drawer is on the left side, vice versa.



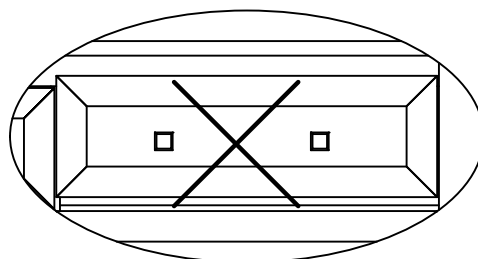
2. Please ensure that you have matched the wheels on BOTH sides of the drawer with the wheels on rails installed BEFORE push in the drawer.



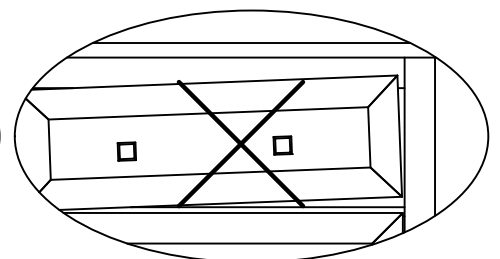
3. If the following occurs, redo the first two steps.



(drawer is on the wrong side)

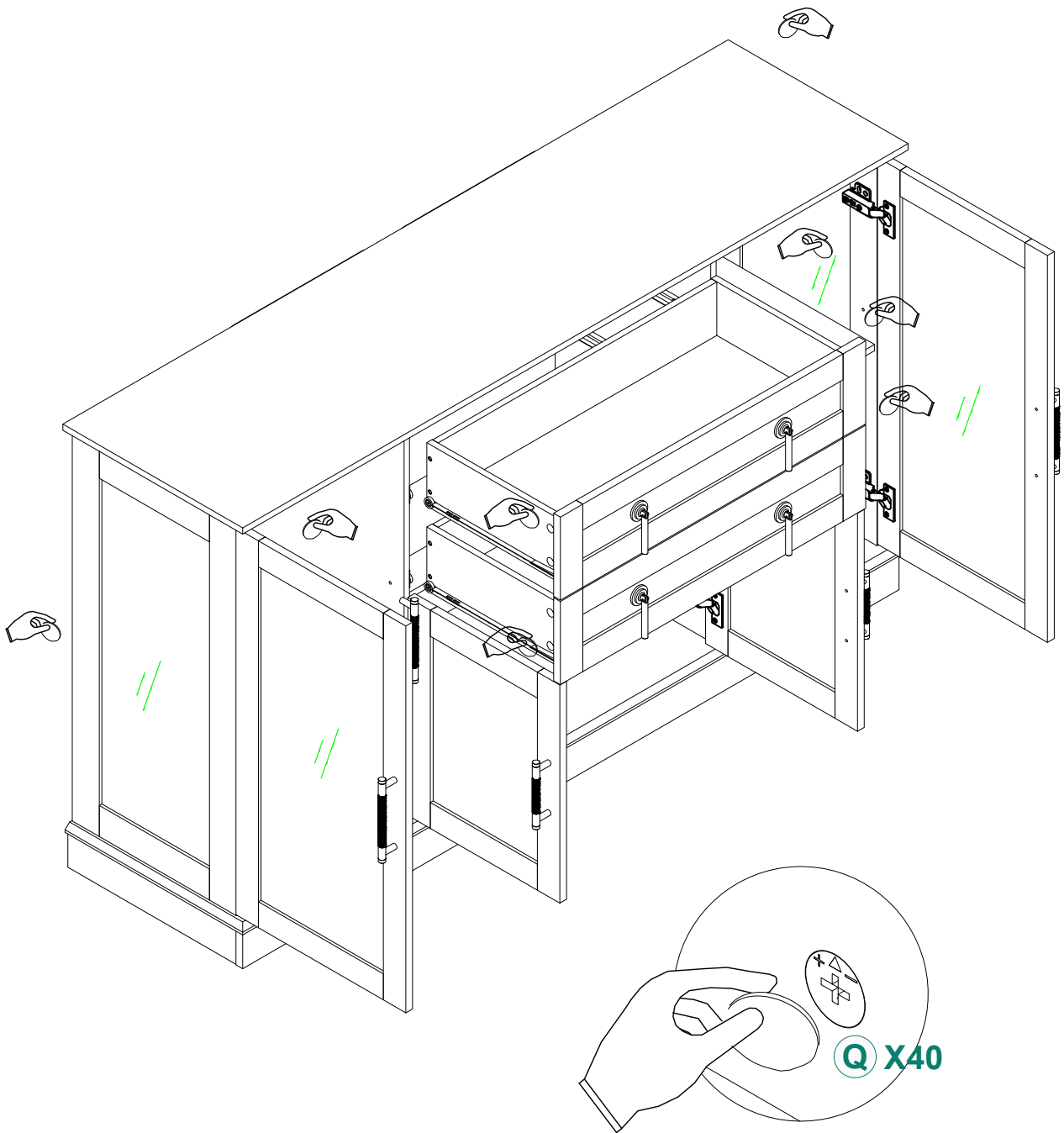


(both wheels are off the rails)

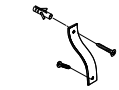


(one wheel is off the rail)

36



# 37



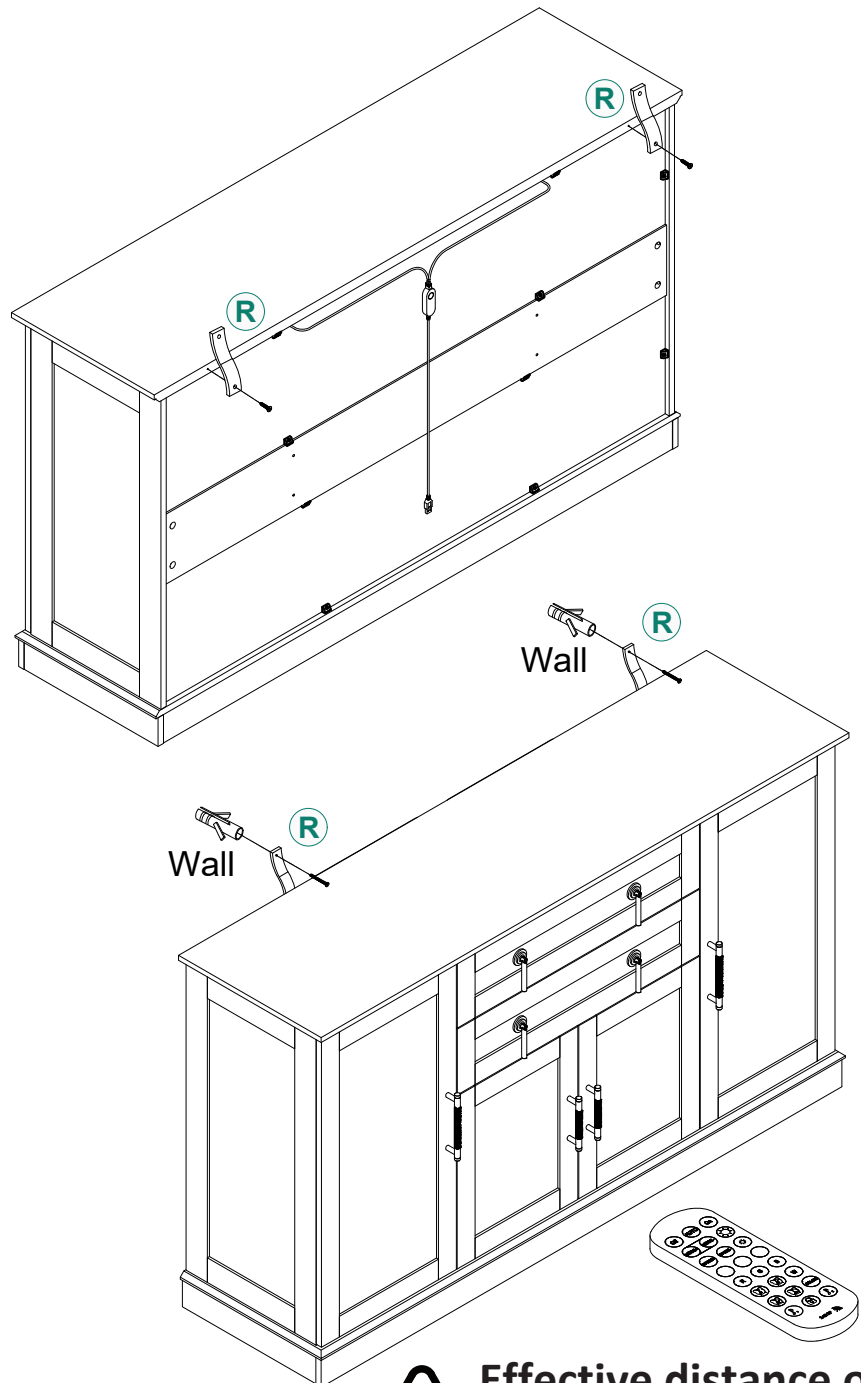
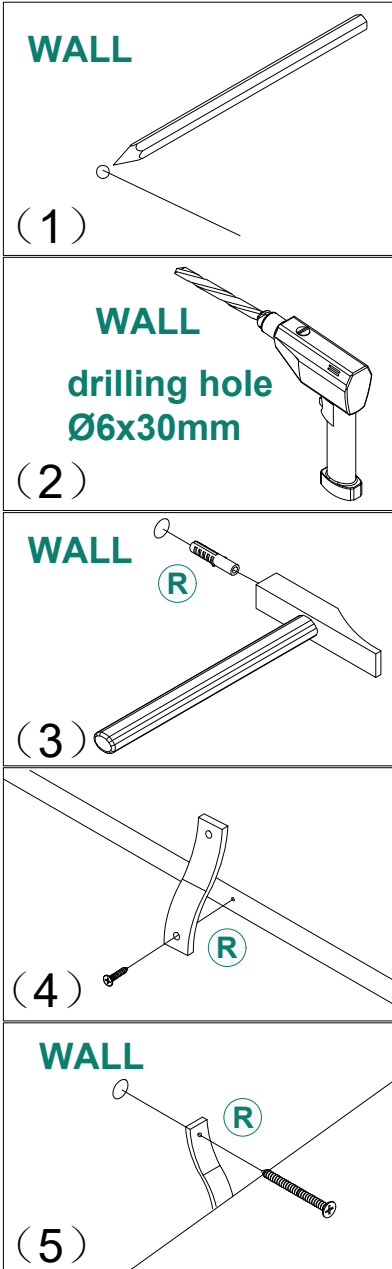
**R** 2sets



**S** 1set



**DANGER** - To prevent furniture from toppling attach, mount, bolt or otherwise secure to walls and floors. Do not put heavy items on top shelves. Do not place unstable furniture near where children play. An anchor kit suitable for plaster walls is included with this item, if you require a different kit consult your nearest hardware store.



**Effective distance of light control: within 3 meters**

**25**

**Assembly is complete.**